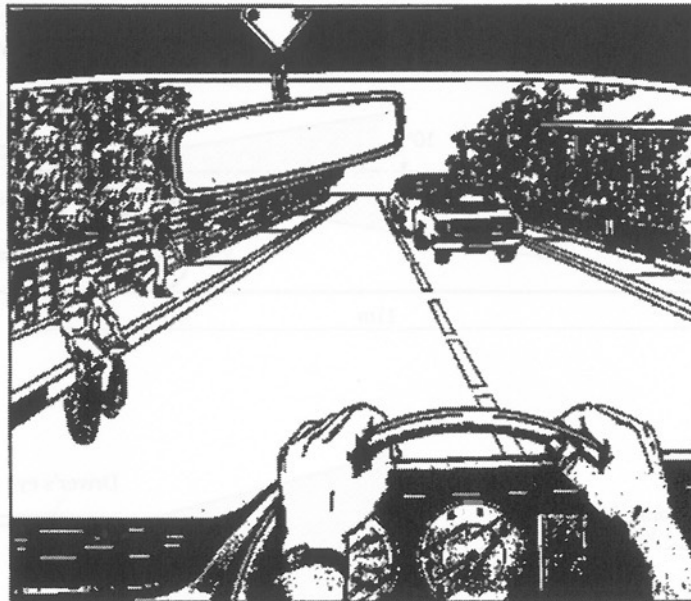


### Drivers Field of View Requirements

For further information please write to the Manager, Vehicle Safety Branch  
60 Denmark Street, Kew, 3101 or contact your local Registration Office.

January 2000



#### DRIVERS FIELD OF VIEW REQUIREMENTS`

The driver of a vehicle must have a full and uninterrupted view of the road and any traffic ahead and to each side of the vehicle and, by use of rear vision mirrors a clear reflected view of any following or overtaking vehicle.

The Standards For Registration require a vehicle not to be constructed nor to have anything fitted to it in such a manner which would prevent the driver from having an adequate view of the traffic to each side of the vehicle and in all directions ahead of the vehicle.

In cases where any equipment or accessory is mounted on a vehicle care should be taken not to obscure the drivers field of view. The area referred to as the drivers field of view is based on the primary vision area requirements contained in Australian Design Rule No. 8 and illustrated in figure 1.

This information sheet refers to two of the more common pieces of equipment which can affect the drivers field of view. However, the following guidelines should be used to help ensure that the drivers field of view is not adversely affected whenever any equipment or accessories, including bullbars and driving lights, are fitted to a motor vehicle. In addition the fitting of the accessories or equipment must be secure and not have any sharp edges or protrusions which would be likely to increase the risk of injury to any other road users such as pedestrians or cyclists.

#### AERIALS

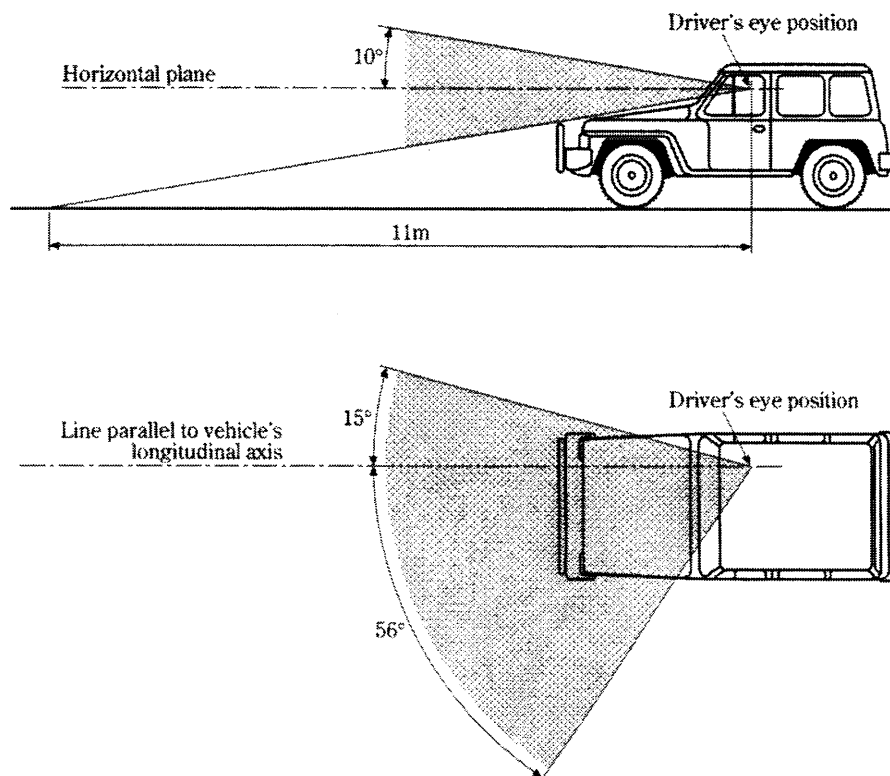
Aerials other than normal radio aerials are often fitted on a vehicle for the purposes of two way communication. In many cases these aerials are mounted on the front bumper or bull bar or other part of the front of the vehicle.

If an aerial more than 30 mm in diameter is mounted on the front of the vehicle forward of the A pillar the following guidelines apply:

- The aerial should be mounted as close as practicable to the left side of the vehicle.
- The aerial and mounting should be free of any sharp edges or protrusions which could or be likely to cause injury to any person.
- The surface of the aerial or any fittings more than 30 mm in diameter should be non reflective, matt black is preferred.
- No part of the aerial which is more than 30 mm in diameter should encroach into the driver's field of view as illustrated in fig. 1.
- The aerial or mounting should not obscure or otherwise adversely affect the performance or visibility of headlamps, parking lamps, turn signal lamps or any other mandatory lamp or reflector. Figure 1

If these requirements cannot be met then the aerial should either be mounted on the roof or alternatively on the rear of the vehicle particularly if the vehicle has a boot or sloping rear area providing adequate clearance for the aerial to operate efficiently.

Owners of emergency or special purpose vehicles which are required to be fitted with these aerials and cannot meet these guidelines may apply for conditional registration. If conditional registration is granted strict in use conditions including the requirement that the aerial can be easily folded down or removed when not in use will apply.



*As a guide, the driver's field of view, shown as the shaded area in figure 1, is measured from the drivers eye position or a point 760 mm above the driver's seating position measured vertically from the centre of the rearmost point of the seat cushion with the seat located in the centre of its travel.*

## SUPPORTS FOR ROOF RACKS

Some vehicles generally used for commercial purposes have overhead racks or carry platforms fitted to carry lengths of pipe or other loads. Where these racks extend forward over the roof of the vehicle and have supports extending up from the front of the vehicle the following guidelines apply:

- The diameter of the supports should not be more than 30 mm or if square or rectangular material is used the width visible to the driver should not be more than 30 mm.
- The supports should not obscure or otherwise adversely affect the performance of the head lamps, turn signal lamps, parking lamps and any other mandatory lamps or reflectors.
- No part of the rack or load forward of the windscreen should be below a horizontal plane level with the top of the windscreen.
- There should not be any sharp edges or protrusions which would be likely to increase the risk of injury to any other road user such as pedestrians or cyclists.
- The supports should be located as far forward and as close as possible to the outer edge of the vehicle. In any case they should not be more than 300 mm in from the outer edge of the vehicle.

These requirements do not apply to specially constructed vehicles over 12 tonnes GVM such as car carriers and garbage collection vehicles. These types of vehicles will be assessed on an individual basis if necessary.