

The following information must be provided to VicRoads prior to disposal of the vehicle. Please complete ALL sections, print in ink using BLOCK letters and sign below.

1. Vehicle details

Vehicle type Light passenger/Commercial Motorcycle

Plate number		Make	Model	Year	Y	Y	Y	Y
VIN		Engine no. (if available)						

2. Registered operator or owner details

Surname or company name									
Given name(s) or ACN					Licence/Client no.				
Home (or company) address								Postcode	
Contact phone no. (mobile preferred)					Email (optional)				

Has the vehicle been retained by the registered operator? Yes No

3. Incident details

Write-off type Repairable Statutory

Date of incident	D	D	M	M	Y	Y	Y	Y	Date of write-off	D	D	M	M	Y	Y	Y	Y	Reference no.
Comments																		

4. Damage details (refer overleaf for instructions)

1st incident type	Damage location	1	2	3	4	5	6	7	8	9	10	11	12	13	14
	Damage severity														
	Damage location	15	16	17	18	19	20	21	22	23	24	25	26	27	28
	Damage severity														
	Damage location	29	30	31	32	33	34	35	36	37	38	39	40	41	
	Damage severity														
2nd incident type	Damage location	1	2	3	4	5	6	7	8	9	10	11	12	13	14
	Damage severity														
	Damage location	15	16	17	18	19	20	21	22	23	24	25	26	27	28
	Damage severity														
	Damage location	29	30	31	32	33	34	35	36	37	38	39	40	41	
	Damage severity														

5. Details of person making declaration

Name	Company name	Contact phone no.
------	--------------	-------------------

Business type Insurer Dealer (Licensed motor car trader) Motor wrecker

Personal information VicRoads collects from you may be used by VicRoads, as permitted by the *Road Safety Act 1986* and the *Marine Safety Act 2010*. VicRoads may disclose personal information it collects from you to various organisations and persons as permitted by law, particularly by the *Road Safety Act 1986*. This includes disclosing the information to contractors and agents of VicRoads, law enforcement agencies, other road and traffic authorities, the Transport Accident Commission, vehicle manufacturers (for safety recalls), road safety researchers, courts and other organisations or people authorised to use the personal information.

You are required to provide this personal information. Failure to provide the information may result in this form not being processed, or records not being properly maintained. For further information about our use of your personal information and your right of access to it, see VicRoads brochure *Protecting your privacy* or contact VicRoads on 13 11 71.

Providing false and/or misleading information or documents is a serious offence under the *Road Safety Act 1986* and/or *Marine Safety Act 2010* and can result in you being fined or imprisoned. Any authority or approval, given as a result of you providing such information/documents, may be reversed and have no effect.

By signing this form, I declare that the information in this form and related supporting documents is true, correct and complete, and I understand the privacy statement.

Signature Please print form and sign here.	Date Please complete date when signing this form.	D	D	M	M	Y	Y	Y	Y
---	--	---	---	---	---	---	---	---	---

Written-off vehicle notification

Damage details - instructions *(up to two incident types may be recorded)*

A full description of the national damage assessment criteria and how to apply them is set out in *Damage Assessment Criteria for the Classification of Statutory Write-offs (2011)* published by the National Motor Vehicle Theft Reduction Council and Austroads. A PDF version can be downloaded free from carsafe.com.au or austroads.com.au

Incident type codes: Select the 'incident type' that has resulted in the damage from one of the six types listed below and enter the code letter next to '1st incident type'. If a second 'incident type' is involved, enter the applicable code letter next to '2nd incident type'.

Damage locations and damage severity codes: Refer to the diagrams and list below and match an appropriate 'damage severity code' to each location where the vehicle is damaged. Enter the applicable code letter below the numbered 'damage locations' in the '1st incident type' table on the front. Only use the '2nd incident type' if a second incident type has also caused damage.

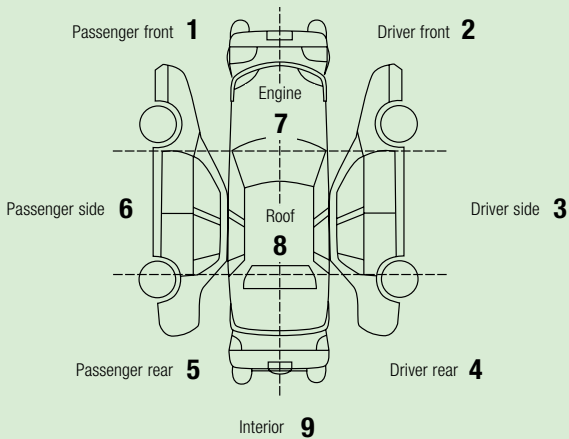
Incident type codes

- D Dismantled** - legitimate removal of components for use as parts
- F Fire** - damage caused by combustion
- H Hail** - damage caused by hail stones
- I Impact** - collision of some type with an object (eg another vehicle, tree or pole)

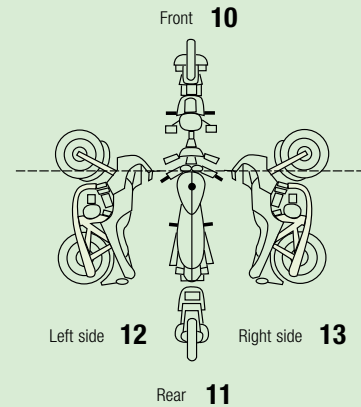
- M Malicious/vandalism/stripped** - intentional damage (eg broken door locks, glass window or windows, paint scratched or stripped of all or a combination of interior and exterior body parts)
- W Water** - damage caused by water (fresh or salt) such as a storm, river or flood

Damage locations

Light passenger/Commercial vehicle



Motorcycle



- | | | | |
|--|---|---|---------------------------------------|
| 14 Whole vehicle | 21 Chassis/structural rails (driver) | 28 D pillar passenger | 35 Suspension (driver front) |
| 15 Floor pan (passenger front) | 22 A pillar passenger | 29 D pillar driver | 36 Suspension (passenger rear) |
| 16 Fire wall | 23 A pillar driver | 30 Engine block (cracked, fractured) | 37 Suspension (driver rear) |
| 17 Chassis/structural rails (passenger) | 24 B pillar passenger | 31 Transmission case | 38 Airbag front |
| 18 Floor pan (driver rear) | 25 B pillar driver | 32 Differential case | 39 Airbag side |
| 19 Floor pan (driver front) | 26 C pillar passenger | 33 Axle housing | 40 Airbag curtain |
| 20 Floor pan (passenger rear) | 27 C pillar drive | 34 Suspension (passenger front) | 41 Seatbelt pre-tensioner |

Damage severity code

- | | | | |
|---------------------------|----------------------------------|--------------------------|--------------------------|
| A Heavy panel | E Unrepairable | I Minor stripping | M Water (fresh) |
| B Light panel | F Major mechanical damage | J Major vandalism | N Burnt/blistered |
| C Heavy structural | G Minor mechanical damage | K Minor vandalism | O Smoke and heat |
| D Light structural | H Major stripping | L Water (salt) | P Minor smoke |