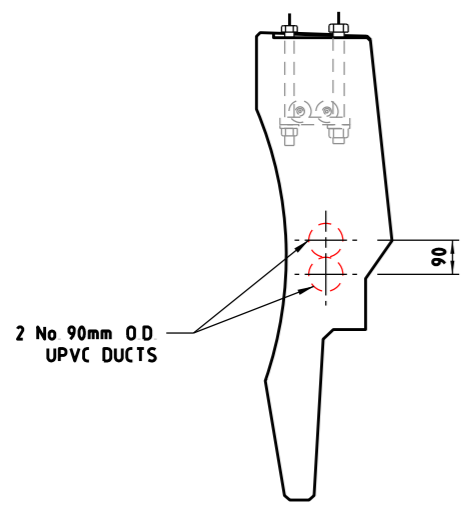
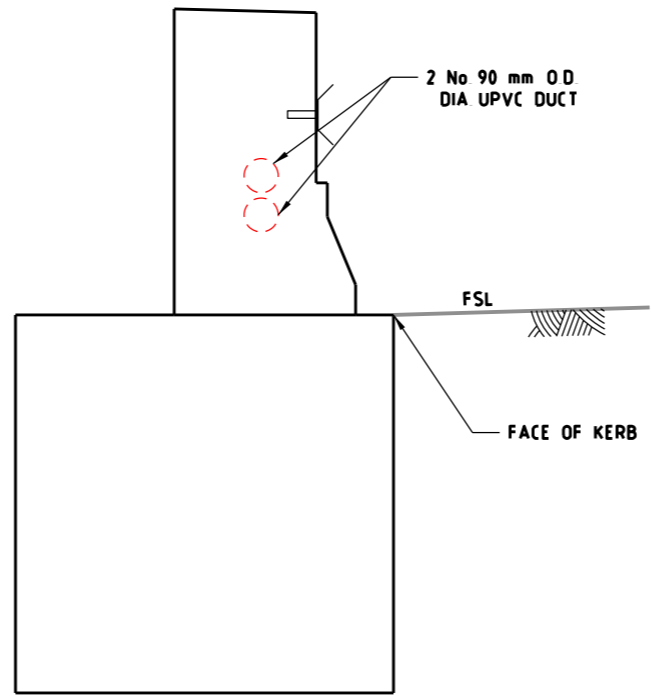


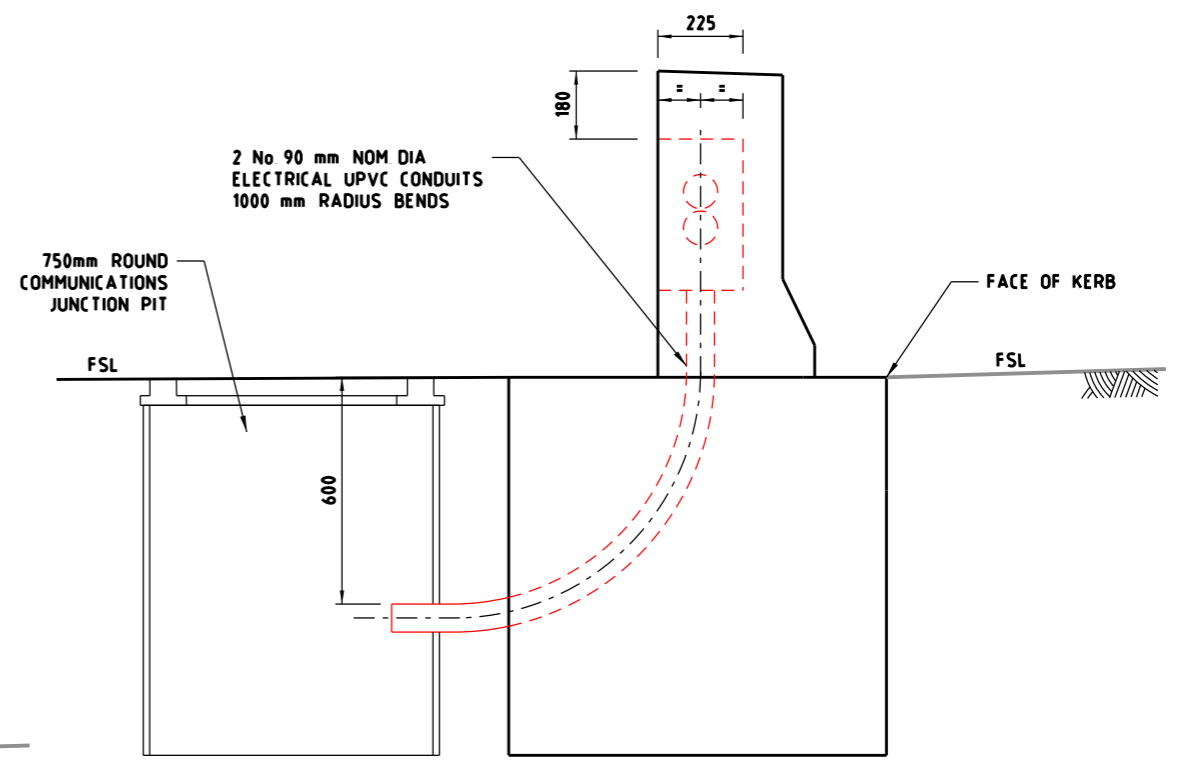
ELEVATION



SECTION C



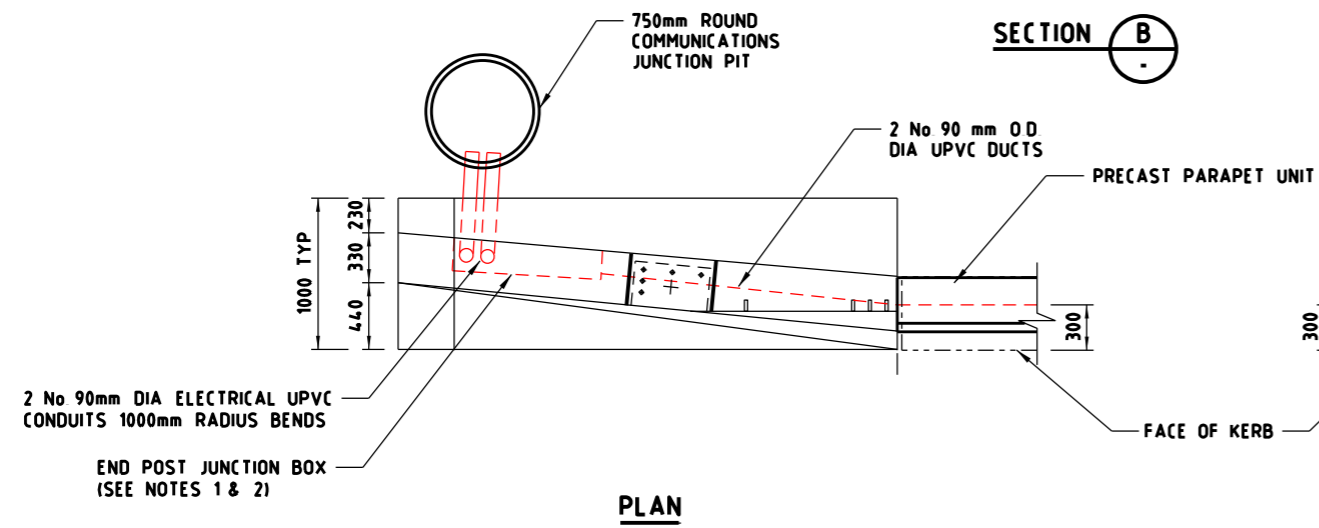
SECTION B



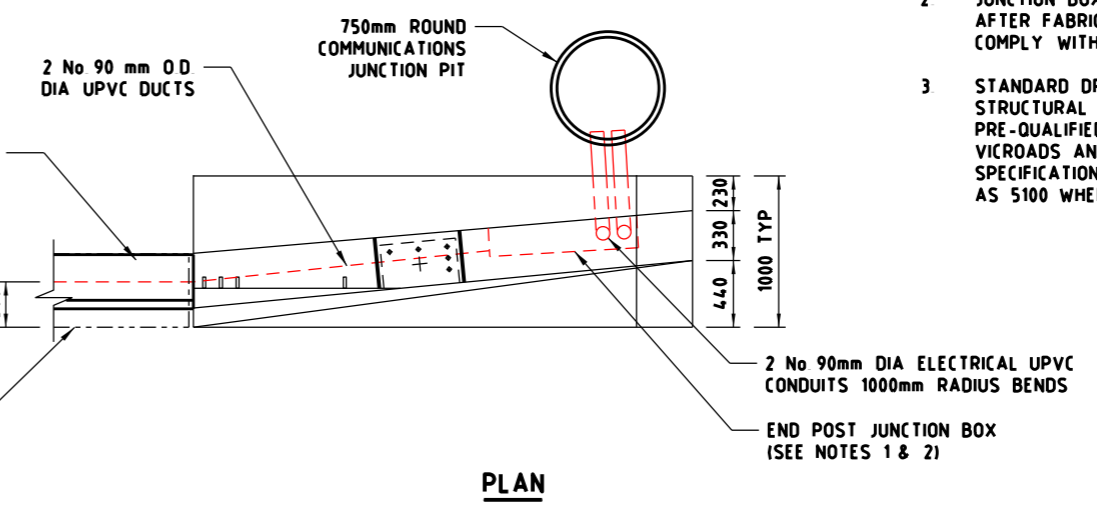
SECTION A

NOTES:

- 1 JUNCTION BOX SHALL BE GRADE 250 AND COMPLY WITH AS 3678
- 2 JUNCTION BOX SHALL BE HOT DIP GALVANISED AFTER FABRICATION WITH GALVANISING TO COMPLY WITH AS/NZS4680
- 3 STANDARD DRAWINGS SHOWN ARE INDICATIVE ONLY. STRUCTURAL DETAILS SHALL BE DESIGNED BY A PRE-QUALIFIED CONSULTANT TO THE SATISFACTION OF VICROADS AND SHALL COMPLY WITH VICROADS' SPECIFICATION BRIDGE TECHNICAL NOTES (BTN'S) AND AS 5100 WHERE APPLICABLE.



PLAN



PLAN

E			
D			
C			
B			
A	W H	12/2018	REVISION OF DETAIL
ISSUE	APP'D	DATE	AMENDMENT

GENERAL NOTES

DESIGNED M80 UPGRADE 07/2015

APPROVED W HARVEY - MANAGER ITS INFRASTRUCTURE & SYSTEM 08/2015

CAT. PROJ. FILE

SCALE OF METRES N T S

HOR VER

STANDARD DRAWING
MANAGED MOTORWAY
PIT AND CONDUIT ARRANGEMENTS
TRANSITION TO BRIDGE BARRIER
TYPICAL ARRANGEMENT

FILE NO	CONTRACT NO	SHEET NO	DRAWING NO	ISSUE
			TC-2210	A