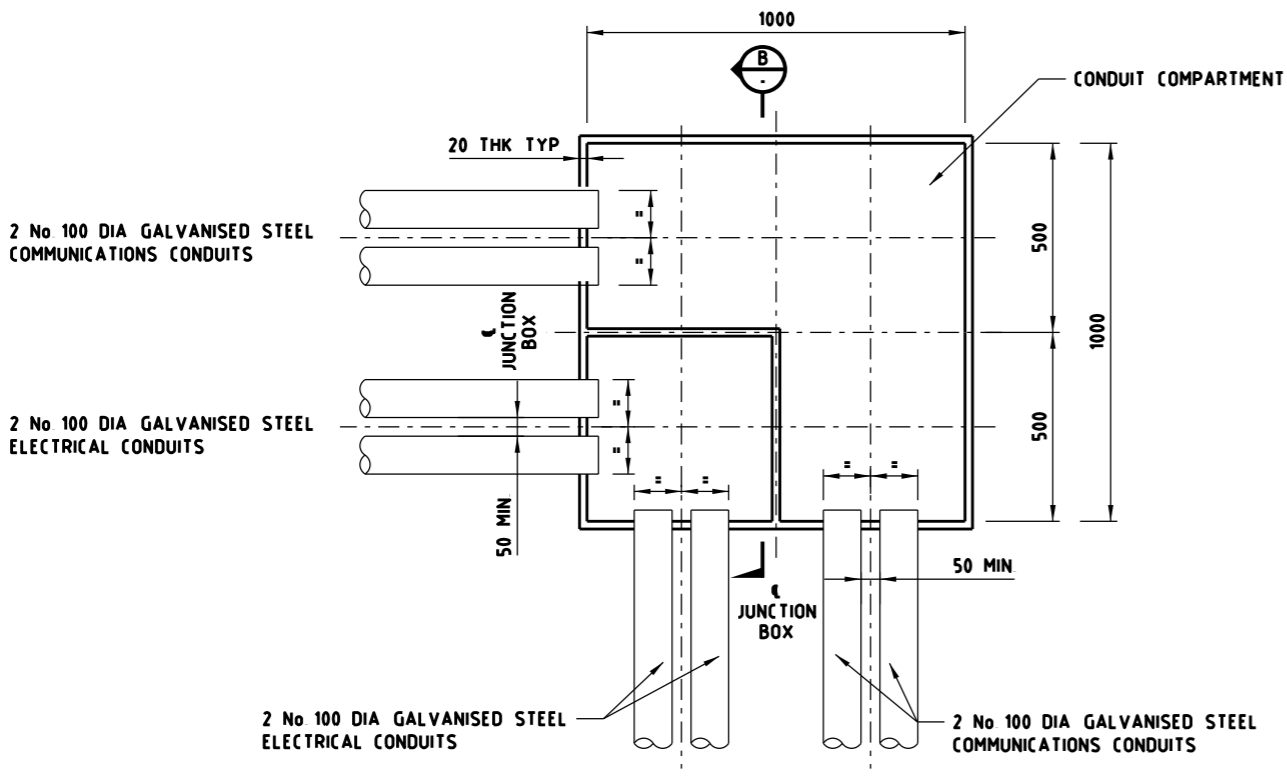
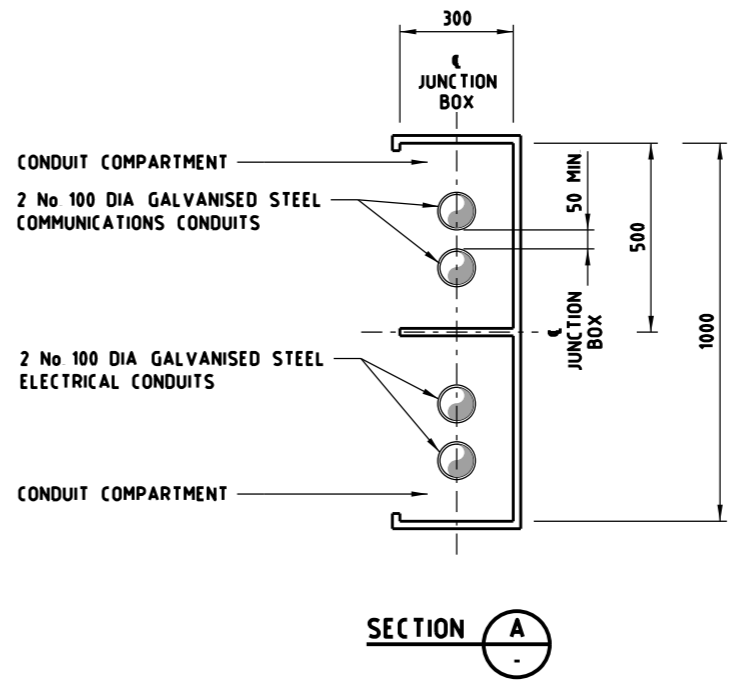
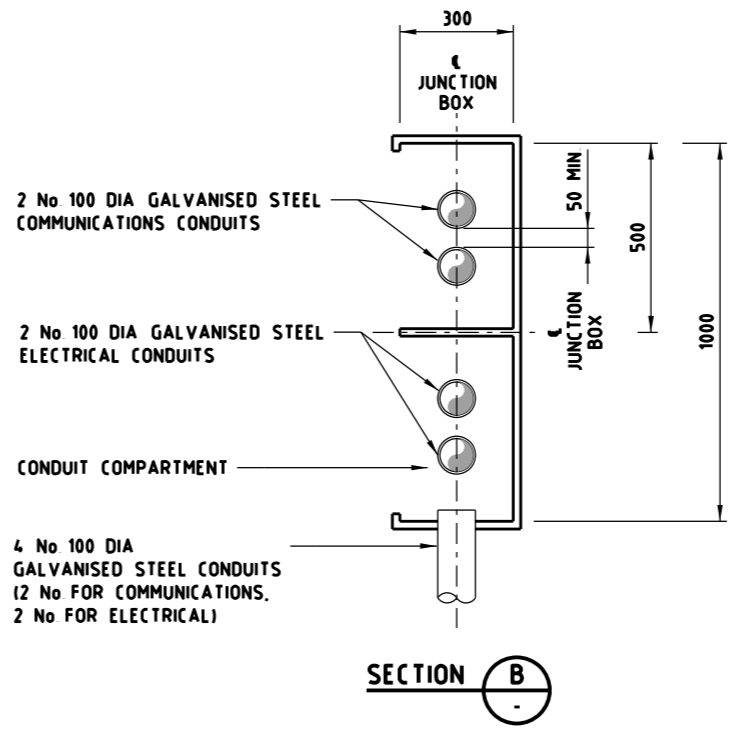


**TYPE 1 STRUCTURE MOUNTED JUNCTION BOX
ELEVATION**



**TYPE 2 STRUCTURE MOUNTED JUNCTION BOX
ELEVATION**



NOTES

- 1 DIMENSIONS SHOWN ARE IN MILLIMETERS, UNO
- 2 ANY VARIATION IN SIZE TO BE APPROVED BY VICROADS
- 3 WEATHERPROOF COUPLING TO BE PROVIDED BETWEEN CONDUIT AND JUNCTION BOX.
- 4 ENDS OF CONDUITS TO BE TRIMMED NEATLY AND FREE FROM SHARP EDGES
- 5 JUNCTION BOX SHALL BE 2mm MARINE GRADE ALUMINIUM POWDER COATED OR 15mm STAINLESS STEEL (GRADE 316)
- 6 INTERNAL PARTITION TO BE PROVIDED FOR ALL TYPE OF COMMUNICATIONS CABLES
- 7 DOORS TO BE INDIVIDUALLY LOCKABLE AND SECURED IN THE CLOSED POSITION BY WAY OF A MULTIPOINT SECURING SYSTEM ACTIVATED VIA A SINGLE KEYED LOCK
- 8 THE LOCK TO BE A STANDARD VICROADS BI-LOCK TYPE WITH INTERCHANGEABLE CYLINDER THE KEYING TO BE SET TO MATCH A STANDARD VICROADS CABINET KEY CODE, WHICH SHALL BE PROVIDED TO THE CONTRACTOR UPON THE AWARD OF THE CONTRACT.

E			
D			
C			
B			
A	W H	12/2018	REVISION OF DETAIL
ISSUE	APP'D	DATE	AMENDMENT

GENERAL NOTES

DESIGNED	M80 UPGRADE	07/2015
APPROVED	W HARVEY - MANAGER	ITS INFRASTRUCTURE & SYSTEM 08/2015
CAT:		SCALE OF METRES
PROJ:		N T S
FILE:		HOR VER



STANDARD DRAWING MANAGED MOTORWAY				
PIT AND CONDUIT ARRANGEMENTS TYPICAL STRUCTURE MOUNTED JUNCTION BOX				
FILE NO	CONTRACT NO	SHEET NO	DRAWING NO	ISSUE
			TC-2212	A