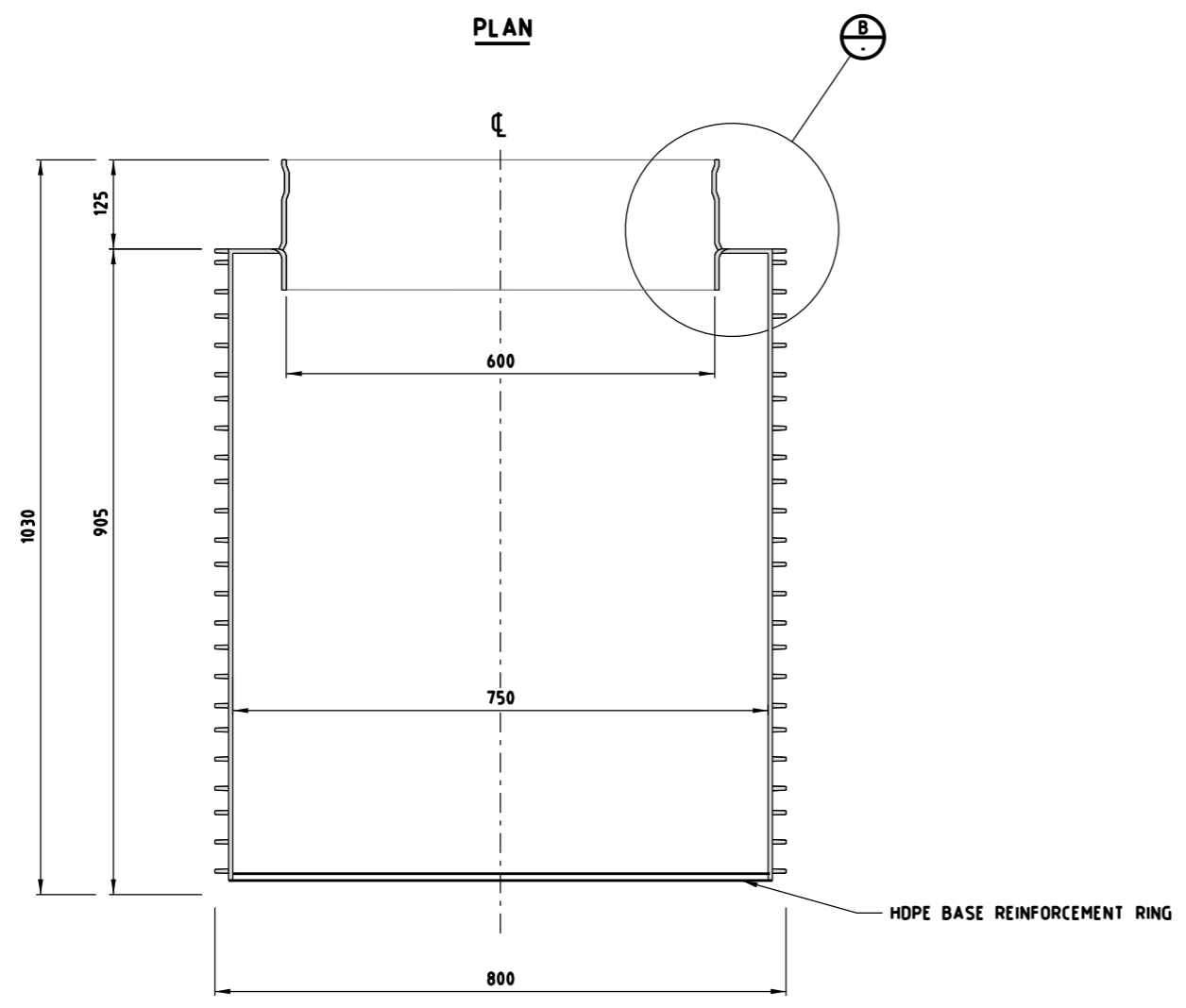
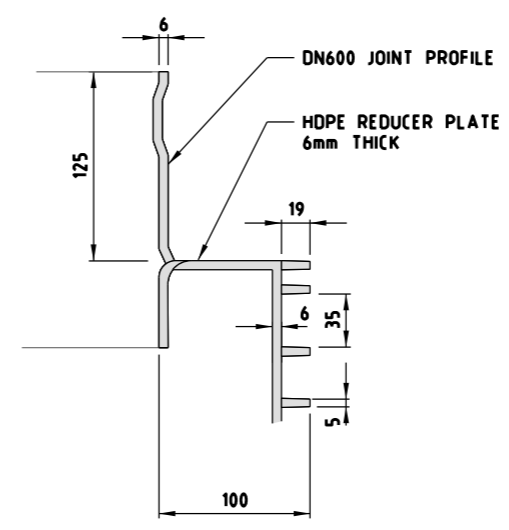
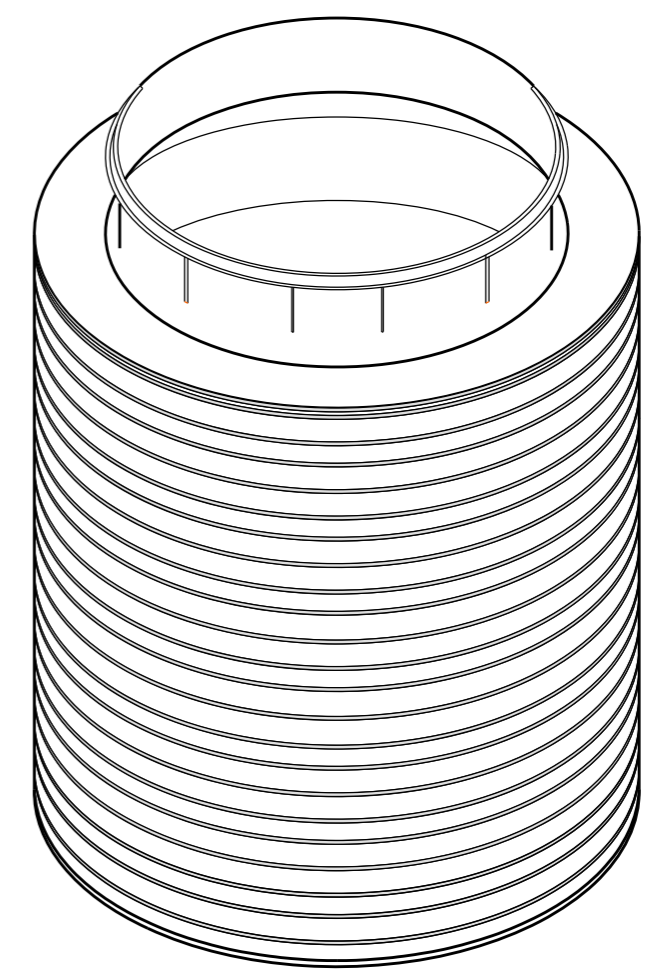


PLAN



SECTION A



DETAIL B

NOTES:

- 1 DIMENSIONS ARE IN MILLIMETRES UNLESS OTHERWISE SPECIFIED
- 2 MATERIAL HDPE OR AS SPECIFIED
- 3 ALL JOINTS FULLY SEAM WELDED TO COMPLY WITH RELEVANT STANDARD
- 4 FOR DETAILS OF CABLE PIT ACCESS COVER, FRAME AND PRECAST CONCRETE SURROUND REFER TO STANDARD DRAWING TC-2217.
- 5 PIT FORMER SHOWN IS INDICATIVE ONLY PIT FORMERS SHALL BE TYPE APPROVED BY VICROADS

ISSUE	APP'D	DATE	AMENDMENT
E			
D			
C			
B			
A	W H	12/2018	REVISION OF DETAIL

GENERAL NOTES

DESIGNED M80 UPGRADE 07/2015
 APPROVED W HARVEY - MANAGER
 ITS INFRASTRUCTURE & SYSTEM 08/2015

CAT. PROJ. FILE

SCALE OF METRES
 N T S

HOR VER



STANDARD DRAWING
 MANAGED MOTORWAY
PIT INSTALLATION ARRANGEMENTS
 CABLE PIT FORMER 750mm DIA
 TO SUIT 600mm DIA LID

FILE NO	CONTRACT NO	SHEET NO	DRAWING NO	ISSUE
			TC-2216	A