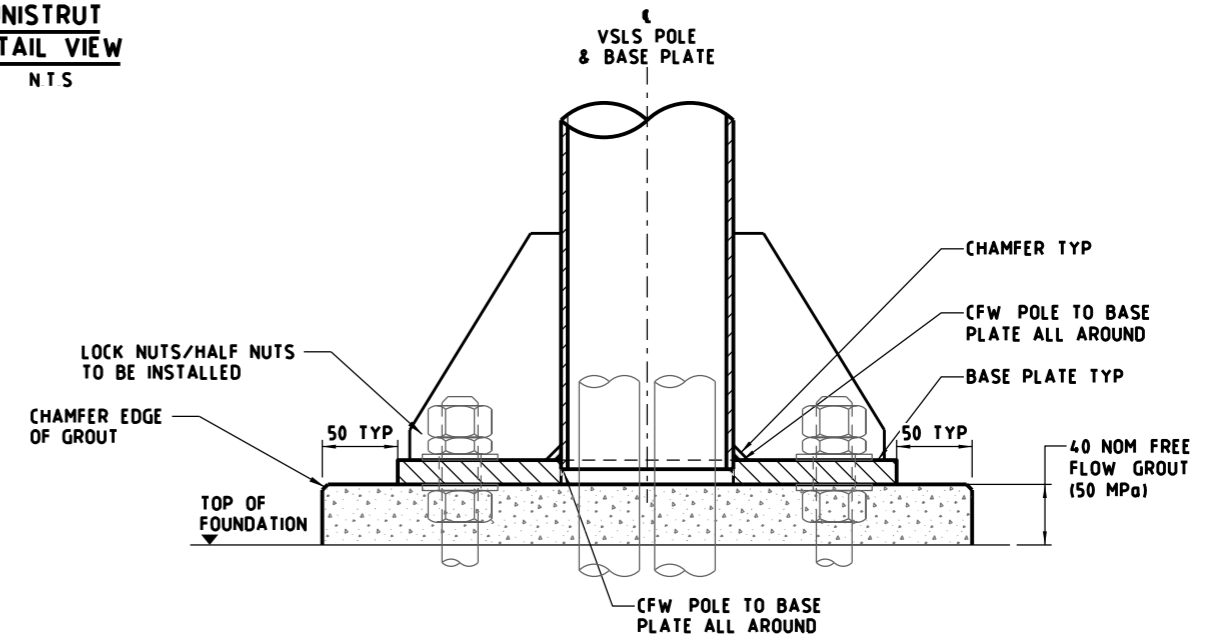
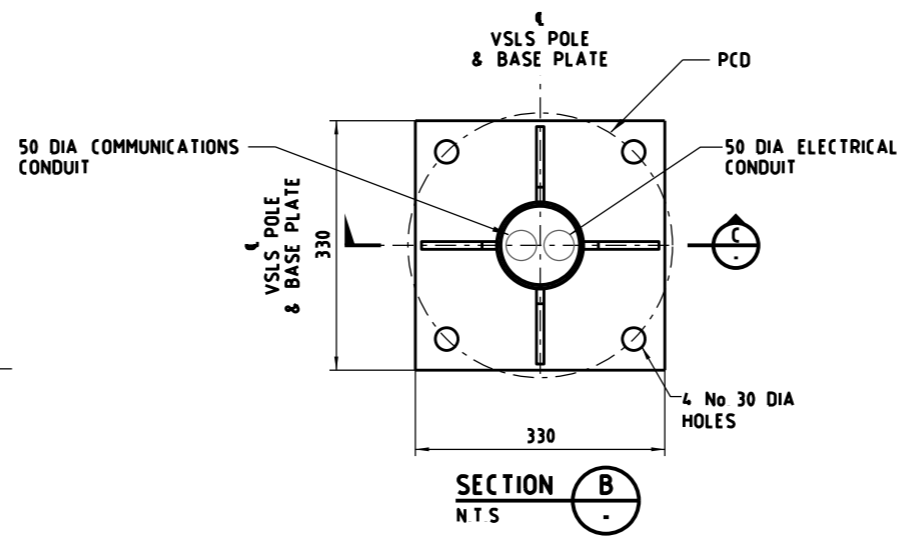


UNISTRUT DETAIL VIEW NTS



SECTION C NTS



SECTION B NTS

NOTES

- FOR FOUNDATION DETAILS REFER TO STANDARD DRAWING TC-2233
- P1000 BOLTED TO COCOON WITH P1010 NUT AND M12 BOLT AND SPRING WASHER IN ACCORDANCE WITH UNISTRUT AUSTRALIA PTY LTD CABLE SUPPORT SYSTEM AND PRODUCTS LOAD SPREADER COCOON SIDE
- ALL STEEL HOT DIPPED GALVANISED TO COMPLY WITH AS 4680
- BOLTS GALVANISED TO BE IN ACCORDANCE WITH AS 1214
- CONDUITS TO BE EXTENDED ABOVE BASE PLATE INSIDE THE POLE TO PREVENT GROUT ENTERING INSIDE THE CONDUITS
- STANDARD DRAWINGS SHOWN ARE INDICATIVE ONLY STRUCTURAL DETAILS SHALL BE DESIGNED BY A PRE-QUALIFIED CONSULTANT TO THE SATISFACTION OF VICROADS AND SHALL COMPLY WITH VICROADS' SPECIFICATION BRIDGE TECHNICAL NOTES (BTN'S) AND AS 5100 WHERE APPLICABLE

E			
D			
C			
B			
A	W H	12/2018	REMOVAL OF STRUCTURAL DETAIL
ISSUE	APP'D	DATE	AMENDMENT

GENERAL NOTES	
DESIGNED	M80 UPGRADE 07/2015
APPROVED	W HARVEY - MANAGER ITS INFRASTRUCTURE & SYSTEM 08/2015
CAT. PROJ. FILE	

SCALE OF METRES
NTS

STANDARD DRAWING MANAGED MOTORWAY				
POSTS AND ATTACHMENTS VLSL POLE AND BASE PLATE				
FILE NO	CONTRACT NO	SHEET NO	DRAWING NO	ISSUE
			TC-2220	A