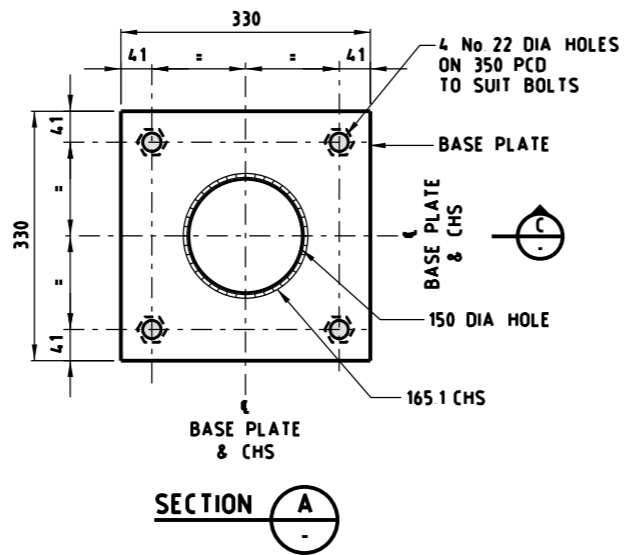
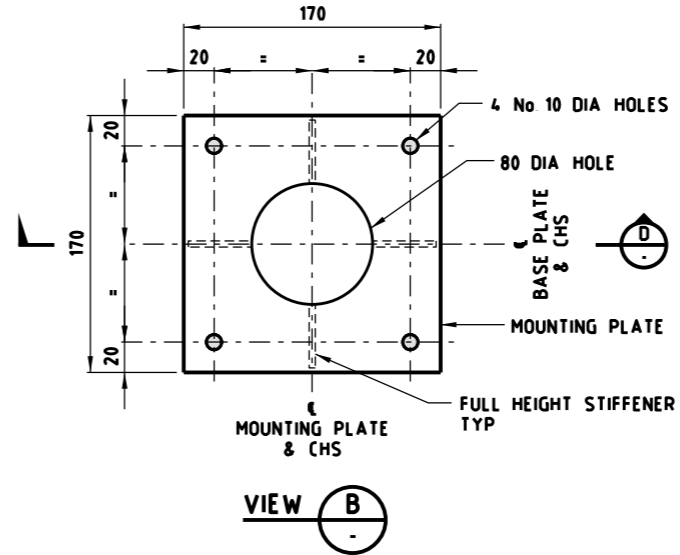


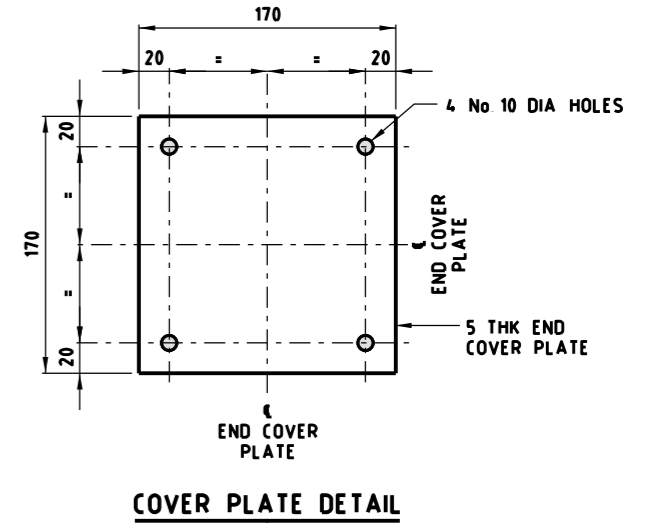
2.95m CCTV CAMERA, AP & RP POLE



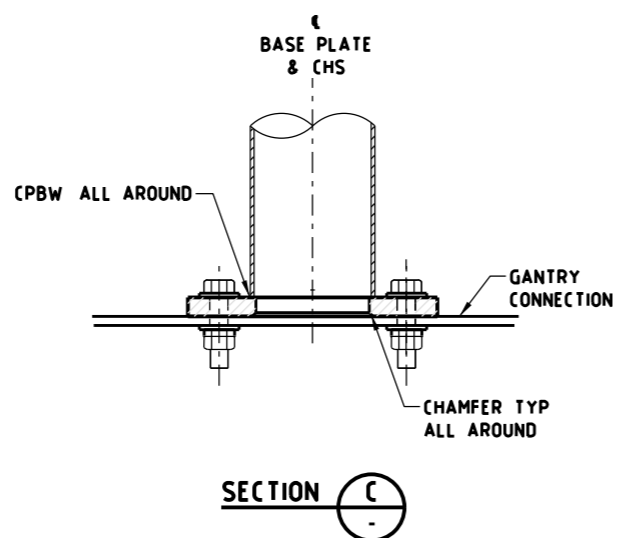
SECTION A



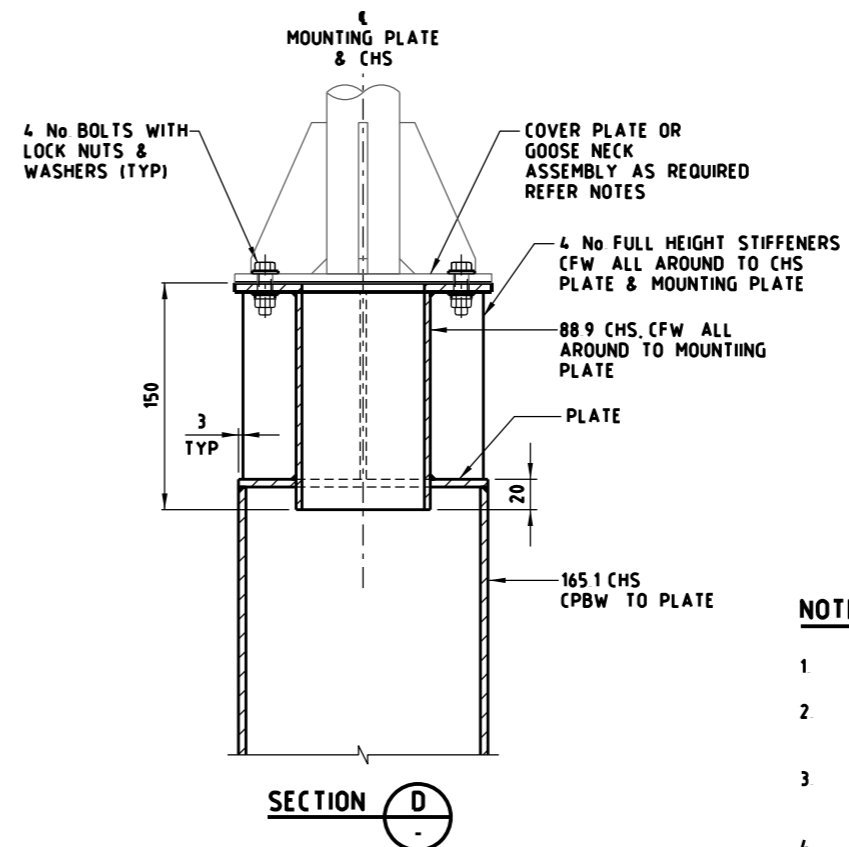
VIEW B



COVER PLATE DETAIL



SECTION C



SECTION D

NOTES

- 1 DIMENSIONS SHOWN ARE IN MILLIMETERS
- 2 SWIVEL GOOSE NECK TO BE INSTALLED FOR CCTV CAMERAS ONLY COVER PLATE TO BE INSTALLED OTHERWISE
- 3 FOR SWIVEL GOOSE NECK DETAILS REFER TO STANDARD DRAWING TC-2222
- 4 ALL OPENING EDGES TO BE DEBURRED
- 5 EXTERNALLY EXPOSED OPENINGS SHALL BE PLUGGED AT ALL TIMES TO PREVENT WATER INGRESS
- 6 LOCK NUTS SHALL BE USED FOR ALL BOLTED CONNECTIONS
- 7 STANDARD DRAWINGS SHOWN ARE INDICATIVE ONLY STRUCTURAL DETAILS SHALL BE DESIGNED BY A PRE-QUALIFIED CONSULTANT TO THE SATISFACTION OF VICROADS AND SHALL COMPLY WITH VICROADS' SPECIFICATION BRIDGE TECHNICAL NOTES (BTN'S) AND AS 5100 WHERE APPLICABLE.

E			
D			
C			
B			
A	W H	12/2018	REVISION OF DETAIL
ISSUE	APP'D	DATE	AMENDMENT

GENERAL NOTES	
---------------	--

DESIGNED	M80 UPGRADE	07/2015
APPROVED	W HARVEY - MANAGER	
	ITS INFRASTRUCTURE & SYSTEM 08/2015	
CAT. FILE		
	HOR	SCALE OF METRES N T S
	VER	



STANDARD DRAWING			
MANAGED MOTORWAY			
POSTS AND ATTACHMENTS			
GANTRY-MOUNTED CCTV CAMERA, AP & RP POLE			
TYPICAL ARRANGEMENT			
FILE NO	CONTRACT NO	SHEET NO	DRAWING NO
			TC-2221
			ISSUE A