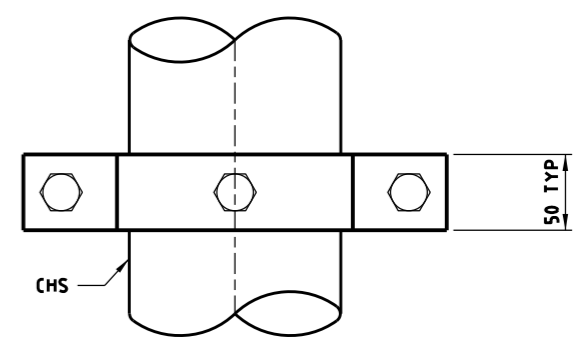
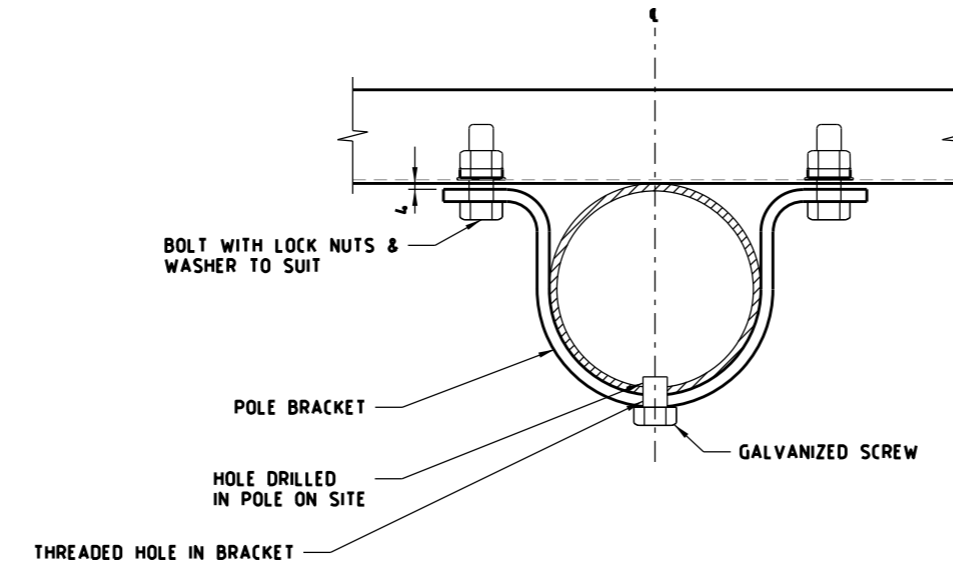


SECTION B
NTS



POLE BRACKET - ELEVATION
NTS



POLE SIGN MOUNTING BRACKET
NTS

(VIEWED FROM DEPARTURE SIDE)
SIGN ELEVATION
NTS

NOTES

- 1 DIMENSIONS OF EA FRAME MAY BE ADJUSTED TO MATCH EXISTING UNISTRUT.
- 2 RC3 SIGN & MOUNTING HARDWARE SHALL NOT EXCEED A TOTAL WEIGHT 65kg
- 3 FOR SIGN POLE DETAILS, REFER TO STANDARD DRAWING TC-2223
- 4 LOCK NUTS TO BE USED FOR ALL BOLTED CONNECTIONS
- 5 STANDARD DRAWINGS SHOWN ARE INDICATIVE ONLY STRUCTURAL DETAILS SHALL BE DESIGNED BY A PRE-QUALIFIED CONSULTANT TO THE SATISFACTION OF VICROADS AND SHALL COMPLY WITH VICROADS' SPECIFICATION BRIDGE TECHNICAL NOTES (BTN'S) AND AS 5100 WHERE APPLICABLE

E			
D			
C			
B			
A	W H	12/2018	REMOVAL OF STRUCTURAL DETAIL
ISSUE	APP'D	DATE	AMENDMENT

GENERAL NOTES	
DESIGNED	M80 UPGRADE 07/2015
APPROVED	W HARVEY - MANAGER ITS INFRASTRUCTURE & SYSTEM 08/2015
CAT.	
PROJ.	
FILE	

SCALE OF METRES
NTS

STANDARD DRAWING MANAGED MOTORWAY POSTS AND ATTACHMENTS RC3 / TT3 POLE MOUNTING ARRANGEMENT TYPICAL ARRANGEMENT				
FILE NO	CONTRACT NO	SHEET NO	DRAWING NO	ISSUE
			TC-2224	A