

E			
D			
C			
B			
A	W H	12/2018	REMOVAL OF STRUCTURAL DETAIL
ISSUE	APP'D	DATE	AMENDMENT

DESIGNED		M80 UPGRADE	07/2015
APPROVED		W HARVEY - MANAGER	
ITS INFRASTRUCTURE & SYSTEM 08/2015			
CAT.	SCALE OF METRES		
PROJ.	N T S		
FILE	HOR	VER	

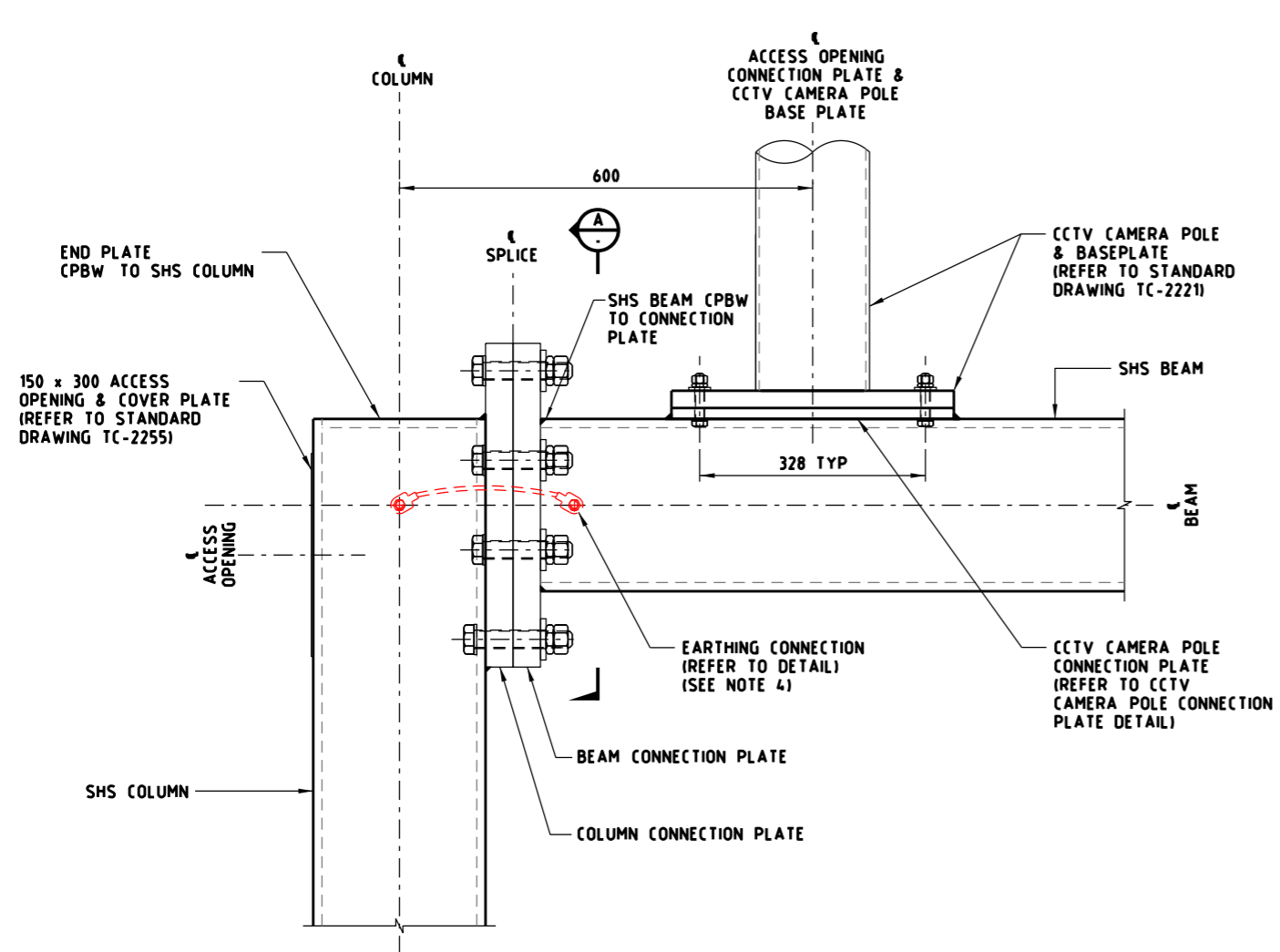
vic roads

STANDARD DRAWING
MANAGED MOTORWAY

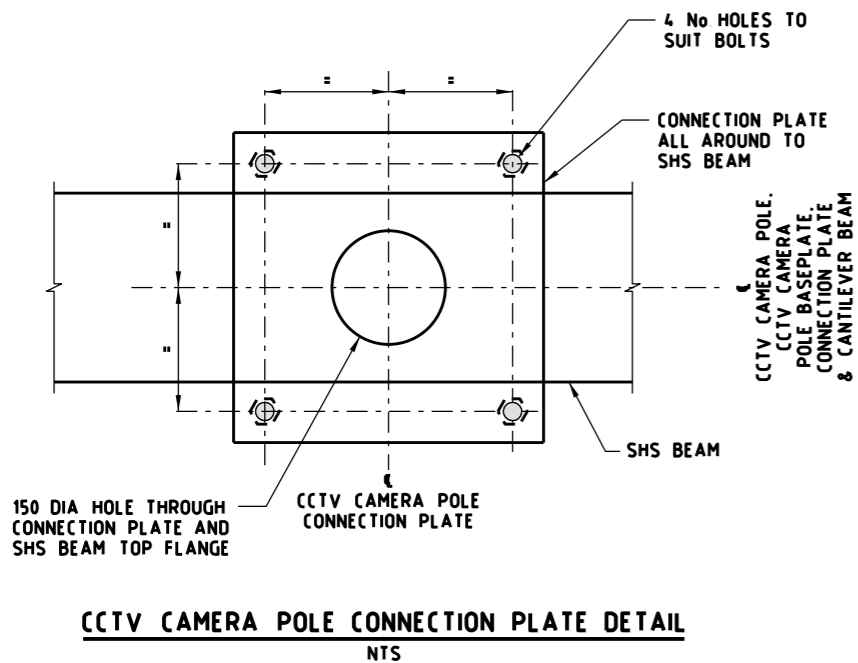
FRS LANTERN SUPPORT STRUCTURES
CANTILEVER GANTRY FOR 2 LANES METERED
SHEET 1 OF 2 - TYPICAL ARRANGEMENT

FILE NO	CONTRACT NO	SHEET NO	DRAWING NO	ISSUE
			TC-2250	A

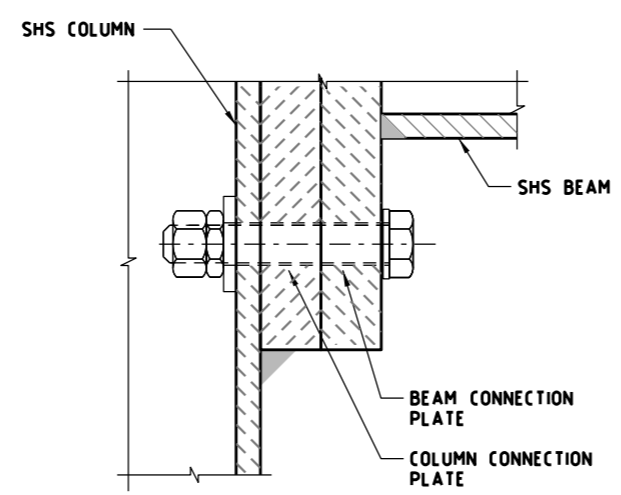
FILE NO	CONTRACT NO	SHEET NO	DRAWING NO	ISSUE
			TC-2250	A



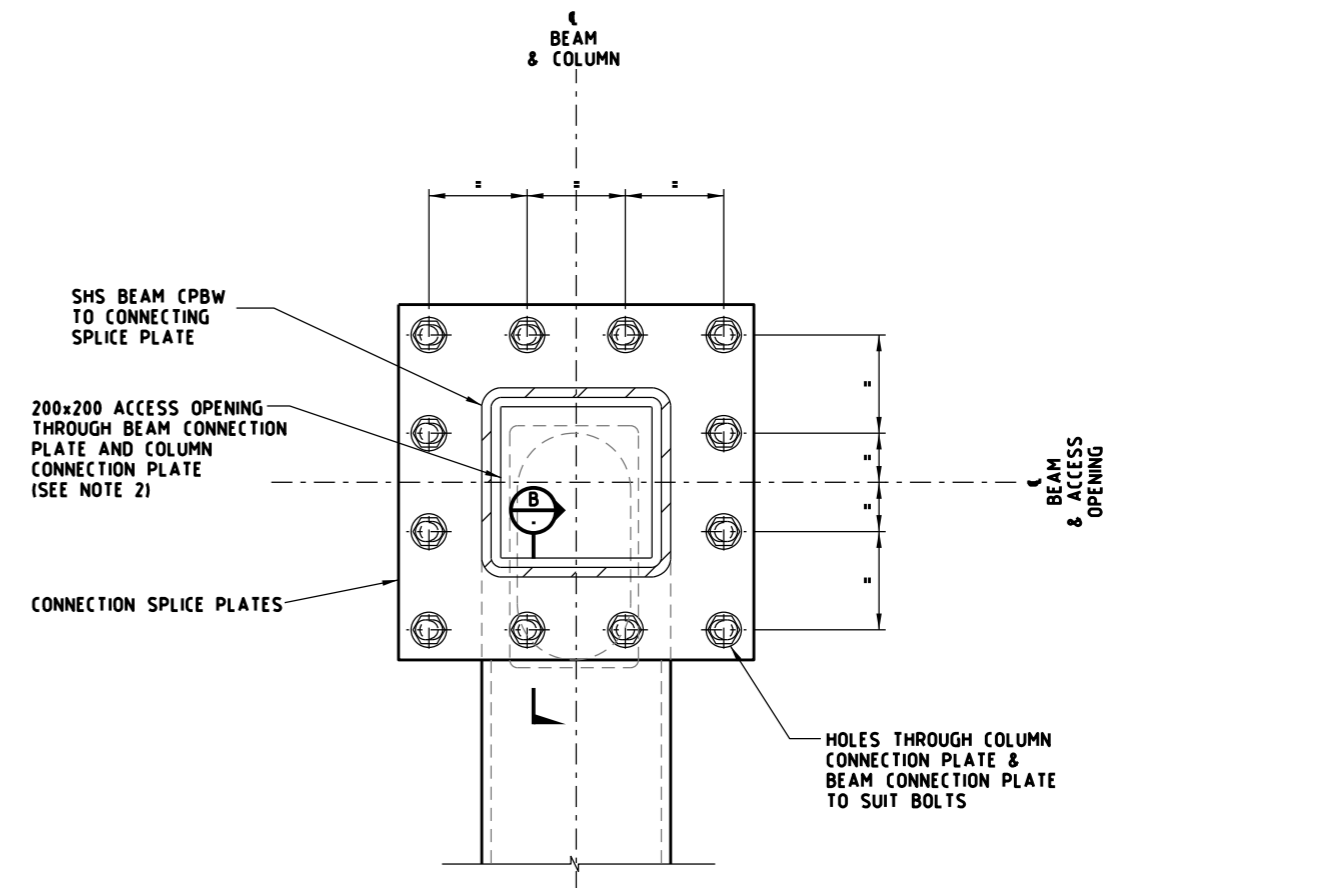
COLUMN / BEAM BOLTED CONNECTION
NTS



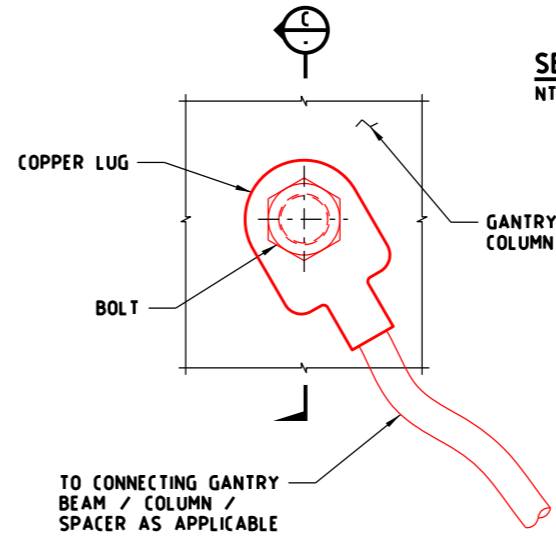
CCTV CAMERA POLE CONNECTION PLATE DETAIL
NTS



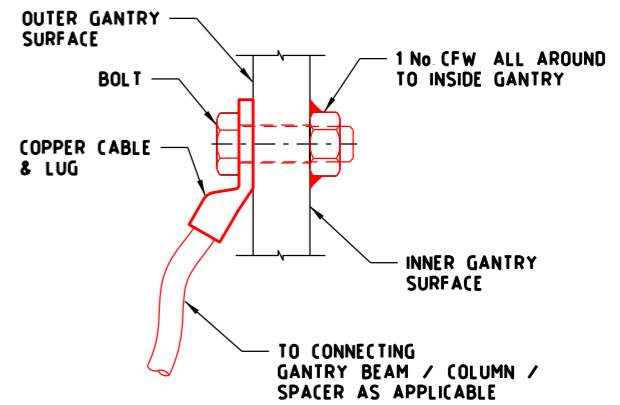
SECTION B
NTS



SECTION A
NTS



EARTHING CONNECTION DETAIL
NTS



SECTION C
NTS

NOTES

- 1 ALL OPENING EDGES TO BE DEBURRED
- 2 THE OPENING IN SECTION A NEEDS TO BE BIG ENOUGH TO ALLOW TO FASTENER/INSERT THE TWO CENTRE BOLTS ON THE LOWER ROW
- 3 STANDARD DRAWINGS SHOWN ARE INDICATIVE ONLY STRUCTURAL DETAILS SHALL BE DESIGNED BY A PRE-QUALIFIED CONSULTANT TO THE SATISFACTION OF VICROADS AND SHALL COMPLY WITH VICROADS' SPECIFICATION BRIDGE TECHNICAL NOTES (BTN'S) AND AS 5100 WHERE APPLICABLE
- 4 GANTRY COLUMN PAINT TO BE REMOVED TO PROVIDE APPROPRIATE ELECTRICAL CONTACT BETWEEN GANTRY AND EARTH CABLE LUGS ANTI-CORROSION TREATMENT TO BE APPLIED TO EARTH CONNECTION FOLLOWING FITTING BOLTS, NUTS AND LUGS TO BE RE-COATED IN SAME COLOUR AS GANTRY AFTER INSTALLATION

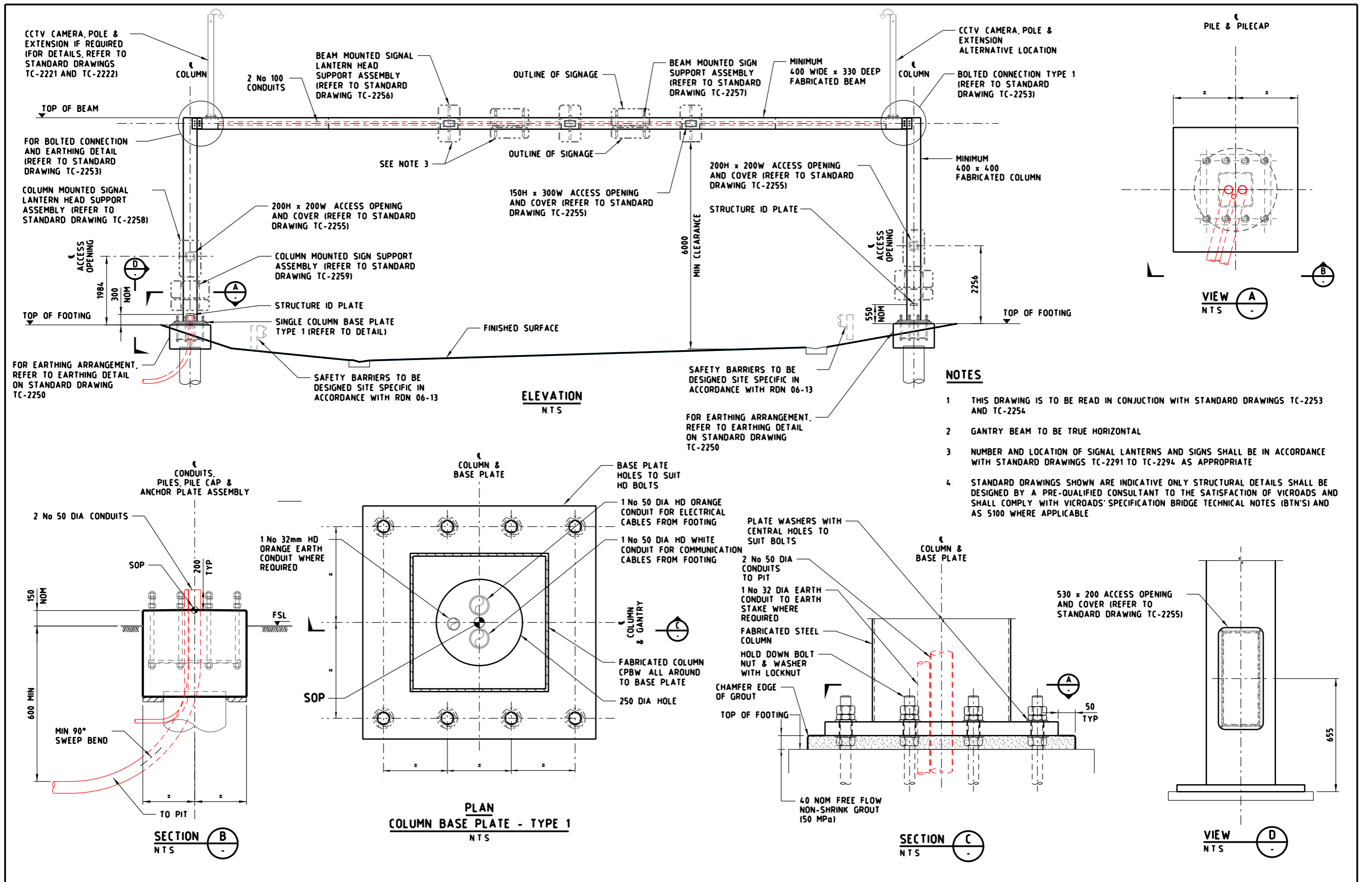
E				
D				
C				
B				
A	W H	12/2018	REMOVAL OF STRUCTURAL DETAIL	
ISSUE	APP'D	DATE	AMENDMENT	

GENERAL NOTES	

DESIGNED	M80 UPGRADE	07/2015
APPROVED	W HARVEY - MANAGER	
ITS INFRASTRUCTURE & SYSTEM 08/2015		
CAT:	SCALE OF METRES	
PROJ:	NTS	
FILE:	HOR	VER



STANDARD DRAWING				
MANAGED MOTORWAY				
FRS LANTERN SUPPORT STRUCTURES				
CANTILEVER GANTRY FOR 2 LANES METERED				
SHEET 2 OF 2 - TYPICAL ARRANGEMENT				
FILE NO	CONTRACT NO	SHEET NO	DRAWING NO	ISSUE
			TC-2251	A



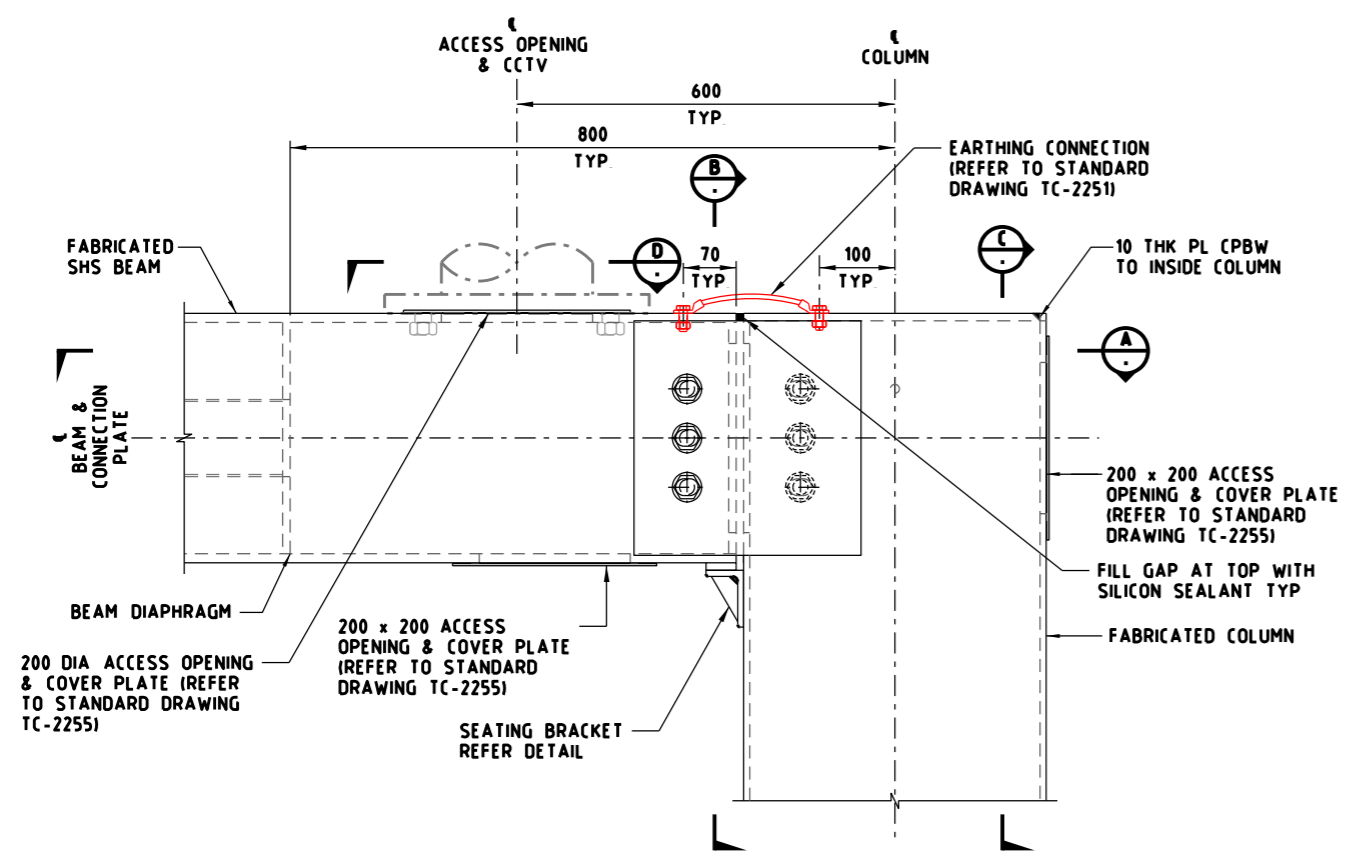
E			
D			
C			
B			
A	W H	12/2018	REMOVAL OF STRUCTURAL DETAIL
ISSUE	APP'D	DATE	AMENDMENT

GENERAL NOTES	

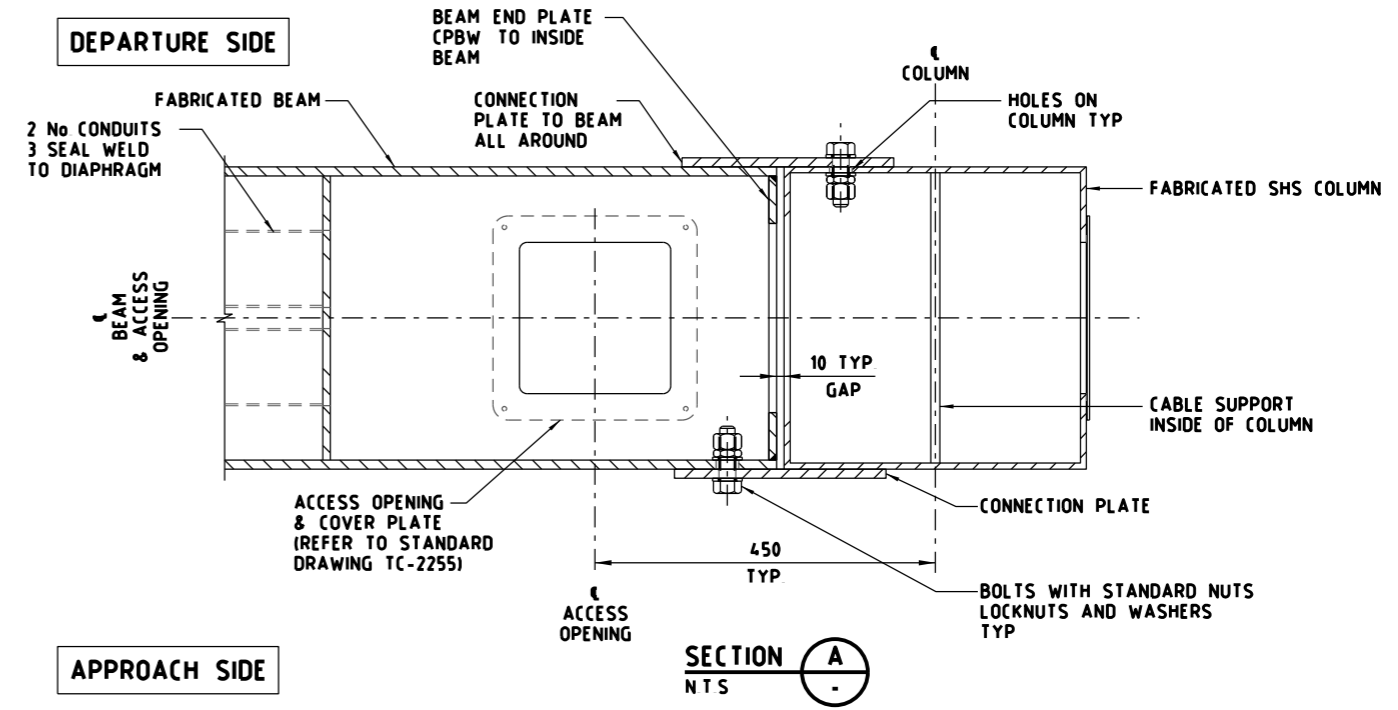
DESIGNED	M80 UPGRADE	07/2015
APPROVED	W HARVEY - MANAGER	
ITS INFRASTRUCTURE & SYSTEM 08/2015		
CAT.	SCALE OF METRES	
PROJ.	NTS	
FILE	HOR	VER



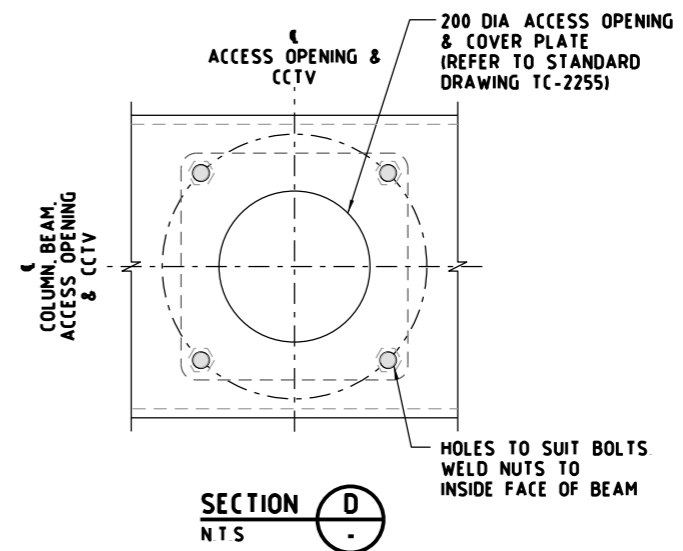
STANDARD DRAWING				
MANAGED MOTORWAY				
FRS LANTERN SUPPORT STRUCTURES				
PORTAL GANTRY FOR 3 OR MORE LANES METERED				
SHEET 1 OF 3 - TYPICAL ARRANGEMENT				
FILE NO	CONTRACT NO	SHEET NO	DRAWING NO	ISSUE
			TC-2252	A



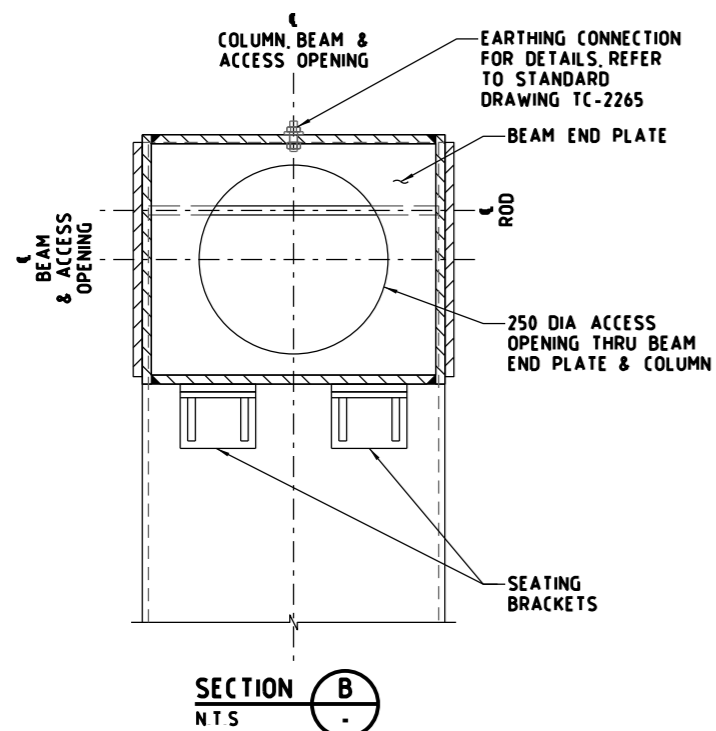
CONNECTION PLATE DETAIL
NTS



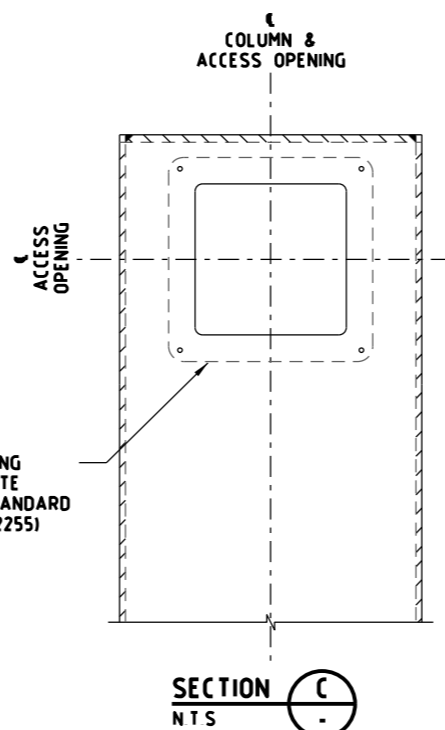
SECTION A
NTS



SECTION D
NTS



SECTION B
NTS



SECTION C
NTS

NOTES

- 1 ALL OPENING EDGES TO BE DEBURRED
- 2 200 DIA ACCESS OPENING COVER PLATE TO BE REMOVED PRIOR TO INSTALLATION OF CCTV CAMERA POLE (WHERE CCTV CAMERA ARE REQUIRED)
- 3 AFTER BEAM INSTALLATION, ALL GAPS BETWEEN BEAM AND COLUMN SHALL BE FILLED WITH SILICON SEALANT
- 4 STANDARD DRAWINGS SHOWN ARE INDICATIVE ONLY STRUCTURAL DETAILS SHALL BE DESIGNED BY A PRE-QUALIFIED CONSULTANT TO THE SATISFACTION OF VICROADS AND SHALL COMPLY WITH VICROADS' SPECIFICATION BRIDGE TECHNICAL NOTES (BTN'S) AND AS 5100 WHERE APPLICABLE

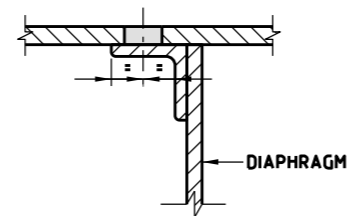
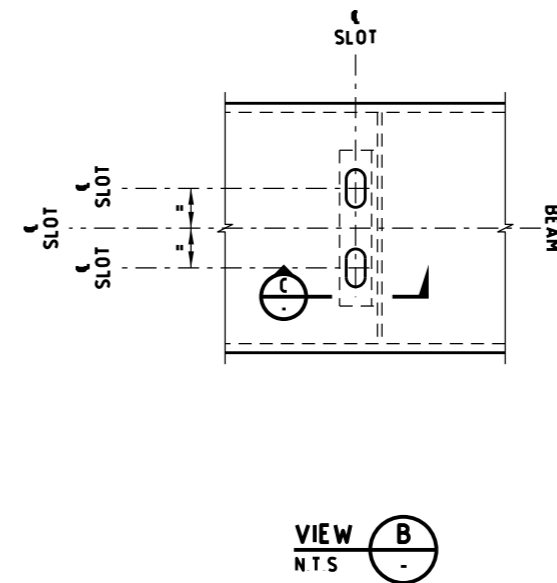
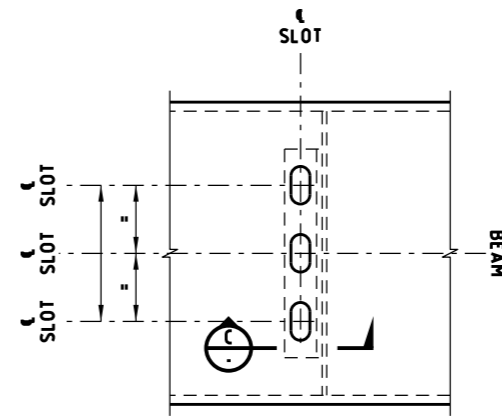
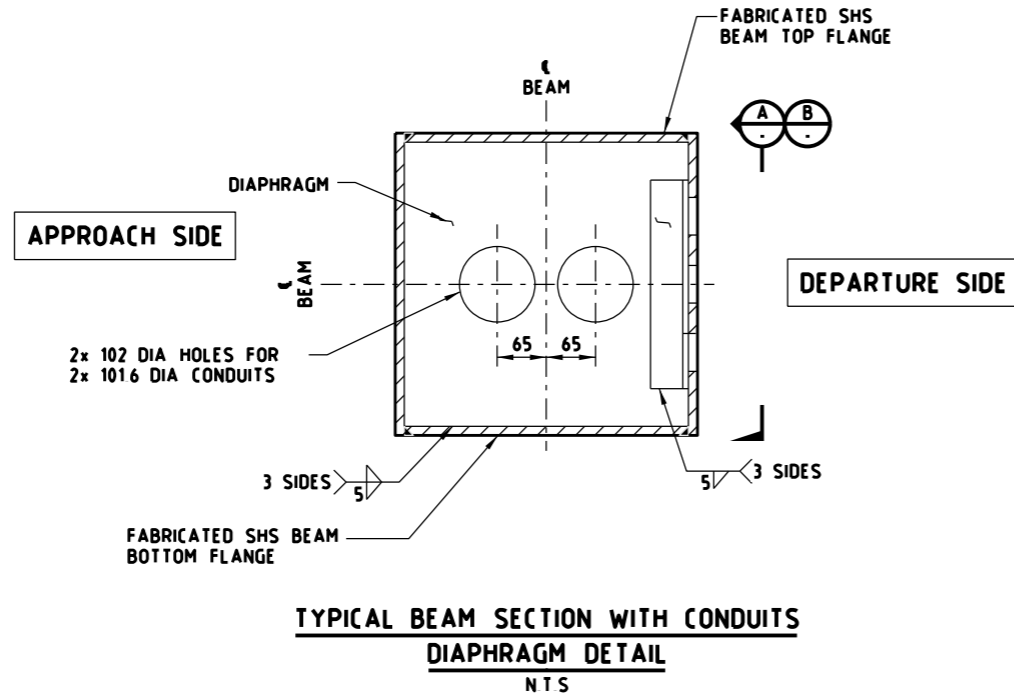
E			
D			
C			
B			
A	WH	12/2018	REMOVAL OF STRUCTURAL DETAIL
ISSUE	APP'D	DATE	AMENDMENT

GENERAL NOTES

DESIGNED	M80 UPGRADE	07/2015
APPROVED	W HARVEY - MANAGER	
	ITS INFRASTRUCTURE & SYSTEM 08/2015	
CAT:		SCALE OF METRES
PROJ:		NTS
FILE:		HOR VER



STANDARD DRAWING MANAGED MOTORWAY				
FRS LANTERN SUPPORT STRUCTURES				
PORTAL GANTRY FOR 3 OR MORE LANES METERED				
SHEET 2 OF 3 - TYPICAL ARRANGEMENT				
FILE NO	CONTRACT NO	SHEET NO	DRAWING NO	ISSUE
			TC-2253	A



NOTES:

- STANDARD DRAWINGS SHOWN ARE INDICATIVE ONLY STRUCTURAL DETAILS SHALL BE DESIGNED BY A PRE-QUALIFIED CONSULTANT TO THE SATISFACTION OF VICROADS AND SHALL COMPLY WITH VICROADS' SPECIFICATION BRIDGE TECHNICAL NOTES (BTN'S) AND AS 5100 WHERE APPLICABLE.

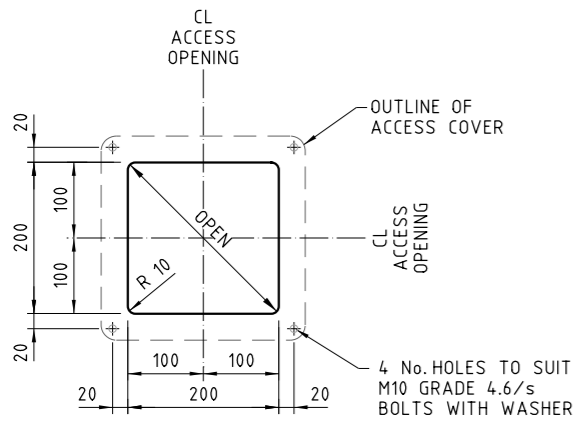
E			
D			
C			
B			
A	W H	12/2018	REMOVAL OF STRUCTURAL DETAIL
ISSUE	APP'D	DATE	AMENDMENT

GENERAL NOTES

DESIGNED	M80 UPGRADE	07/2015
APPROVED	W HARVEY - MANAGER	
	ITS INFRASTRUCTURE & SYSTEM 08/2015	
CAT:		SCALE OF METRES
PROJ:		NTS
FILE:		HOR VER

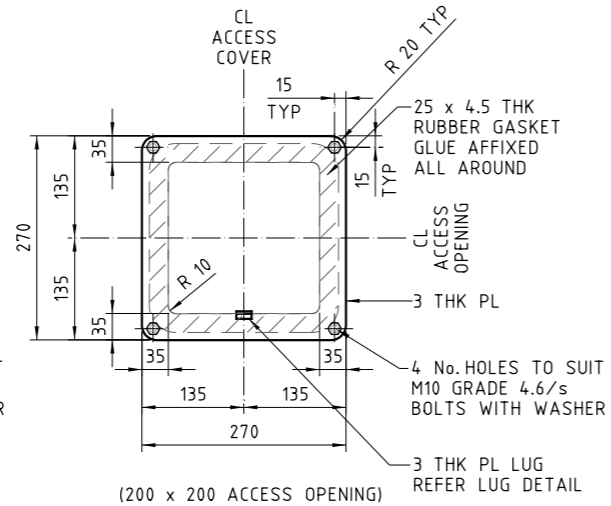


STANDARD DRAWING MANAGED MOTORWAY				
FRS LANTERN SUPPORT STRUCTURES PORTAL GANTRY FOR 3 OR MORE LANES METERED SHEET 3 OF 3 - TYPICAL ARRANGEMENT				
FILE NO	CONTRACT NO	SHEET NO	DRAWING NO	ISSUE
			TC-2254	A



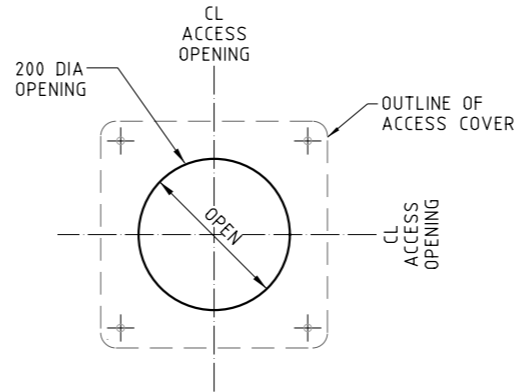
200 x 200 ACCESS OPENING

N.T.S.



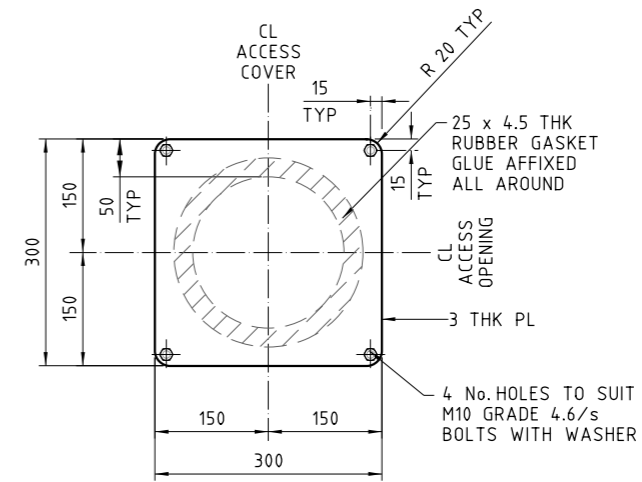
270 x 270 ACCESS COVER

N.T.S.



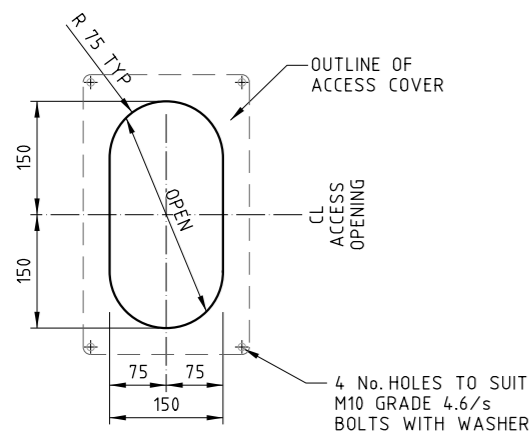
200 DIA ACCESS OPENING

N.T.S.



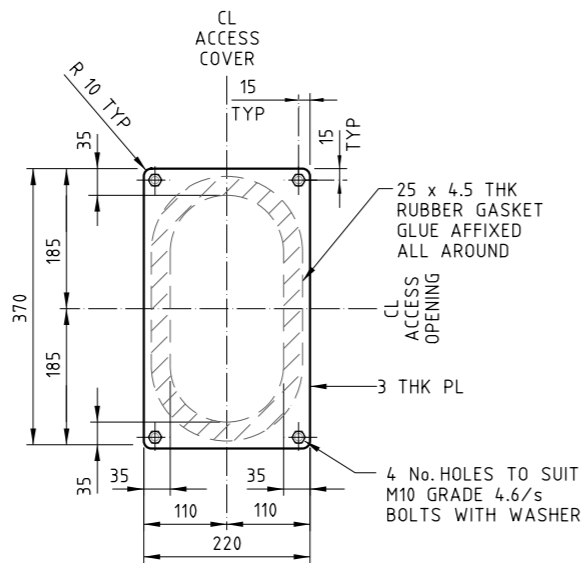
300 x 300 ACCESS COVER

N.T.S.



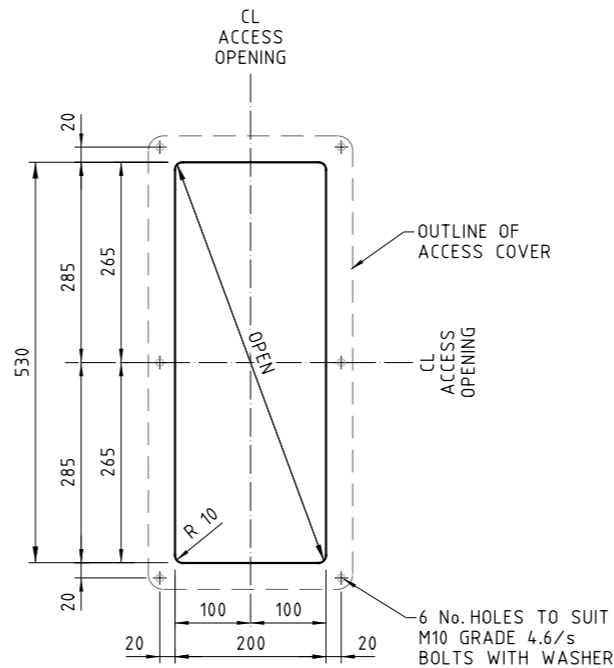
150 x 300 ACCESS OPENING

N.T.S.



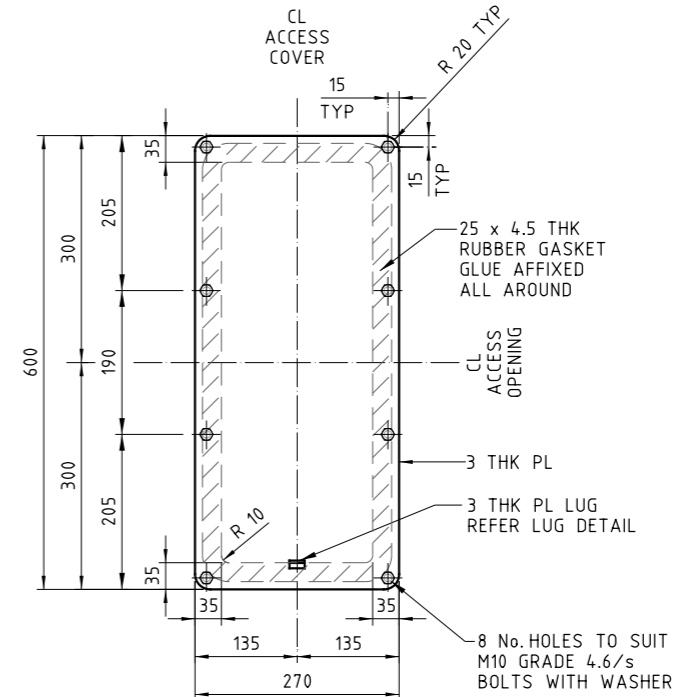
220 x 370 ACCESS COVER

N.T.S.



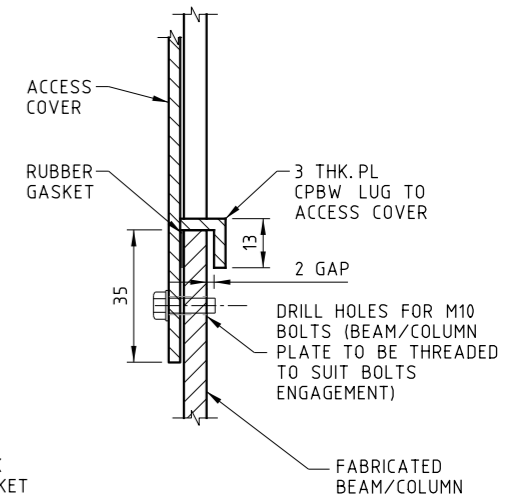
530 x 200 ACCESS OPENING

N.T.S.



600 x 270 ACCESS COVER

N.T.S.



LUG DETAIL

N.T.S.

NOTES

1. ALL OPENING EDGES TO BE DEBURRED.

4/02/2021 5:13:47 PM Default TC-2255B.dgn

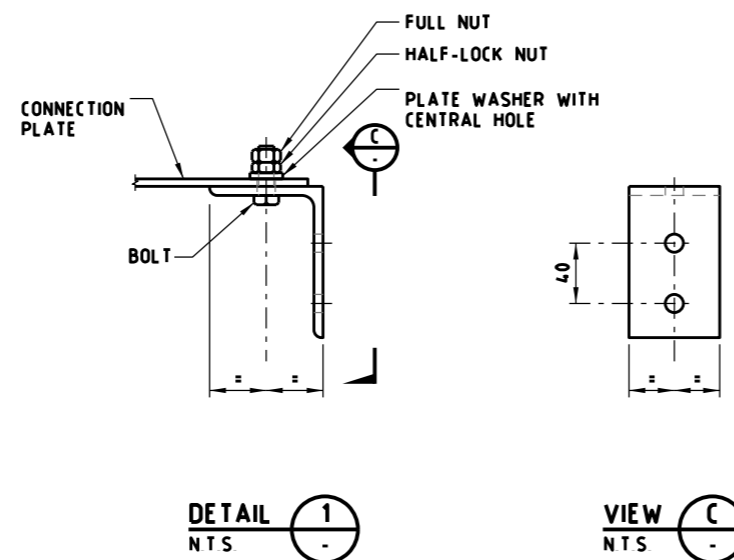
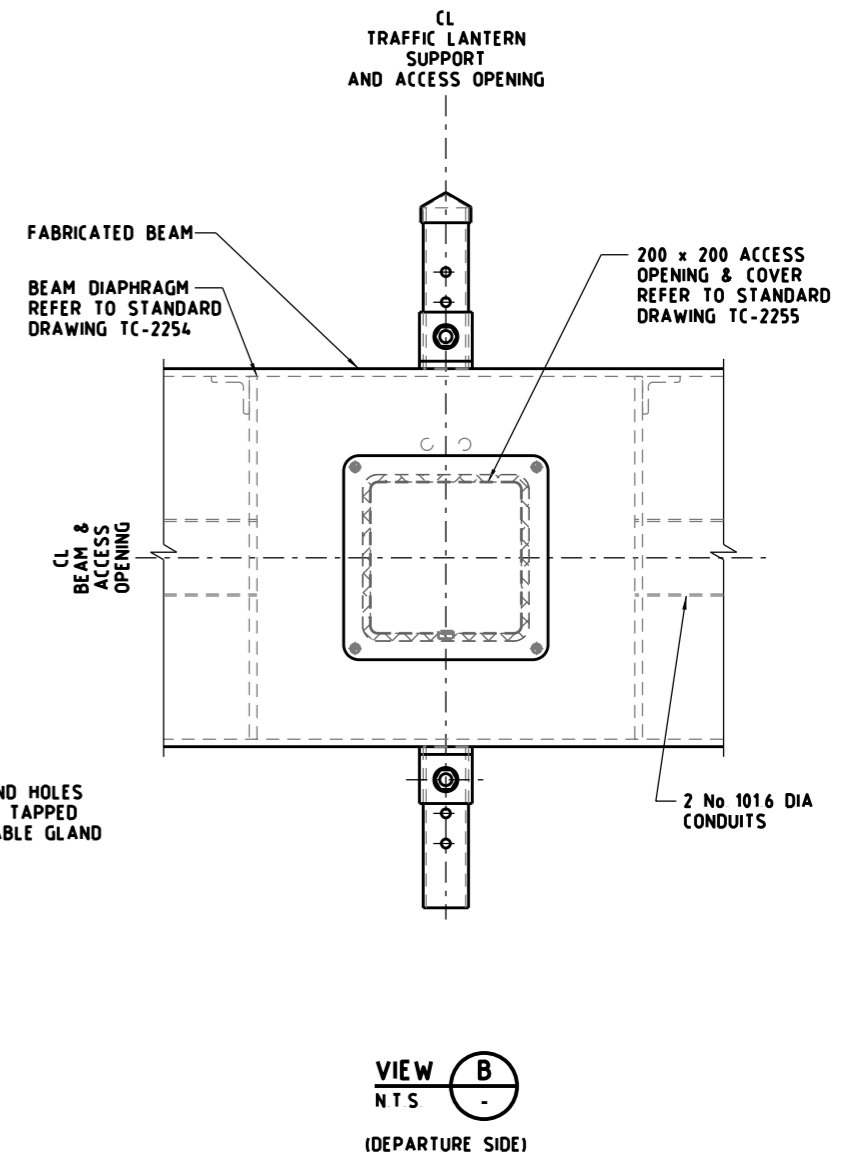
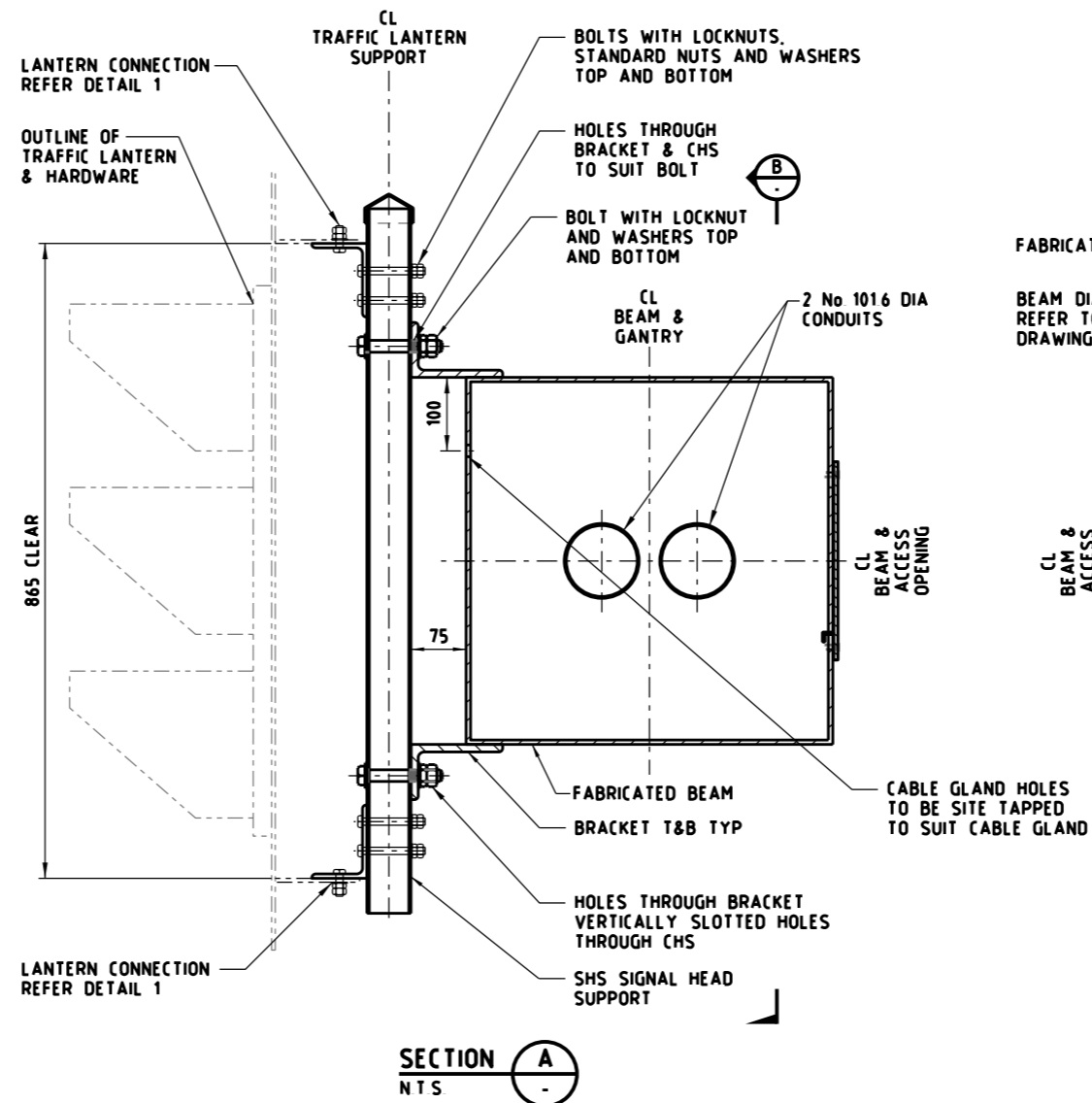
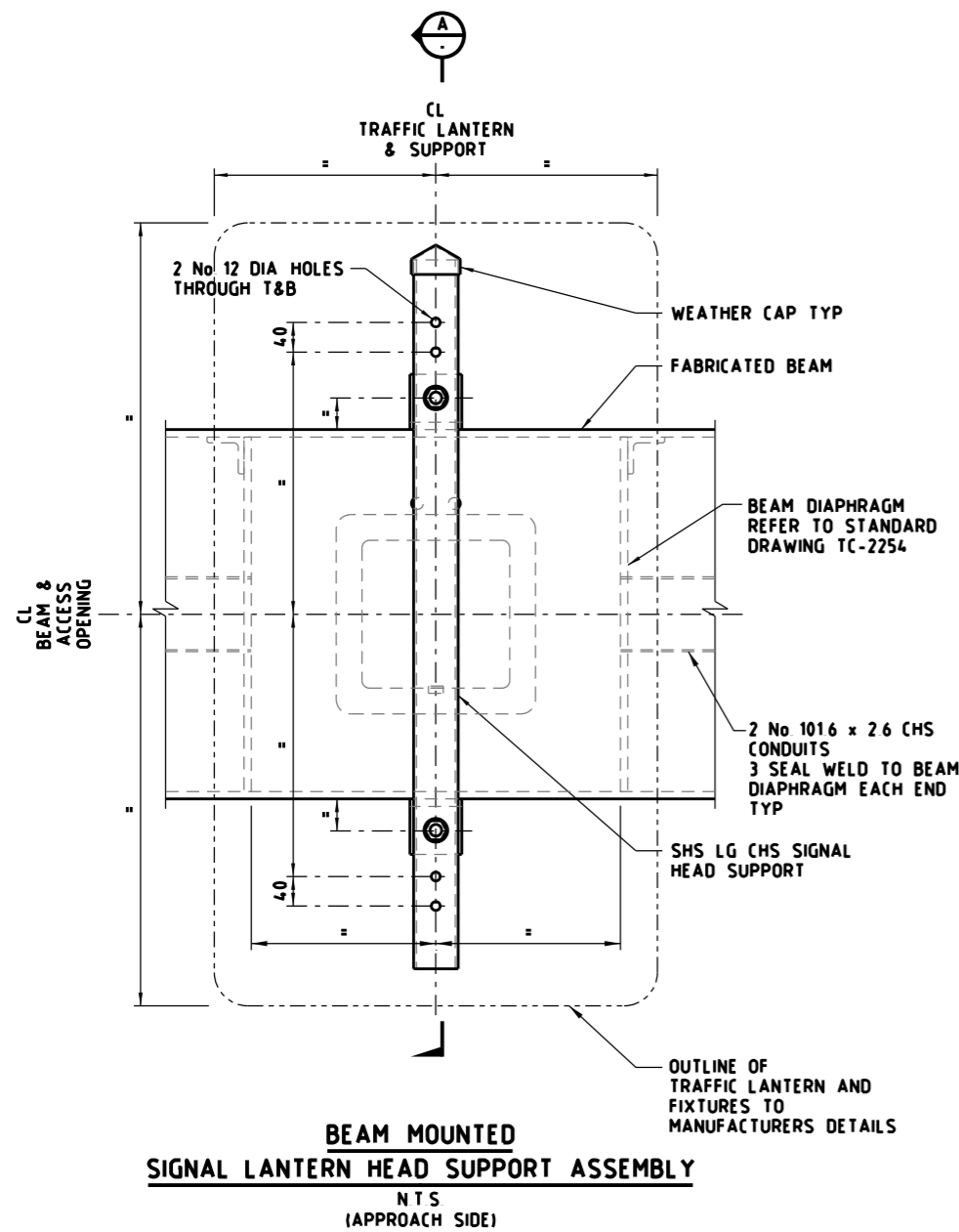
E			
D			
C			
B	D.P.	02/2021	BOLTS AND RUBBER GASKET SIZES
A	W.H.	12/2018	REVISION OF DETAIL
ISSUE	APP'D	DATE	AMENDMENT

GENERAL NOTES

DESIGNED	M80 UPGRADE	07/2015
APPROVED	W HARVEY - MANAGER ITS INFRASTRUCTURE & SYSTEM 08/2015	
CAT:	SCALE OF METRES	
PROJ:	N.T.S.	
FILE:	HOR	VER



STANDARD DRAWING MANAGED MOTORWAY				
FRS LANTERN SUPPORT STRUCTURES ACCESS OPENINGS & COVERS				
FILE NO.	CONTRACT NO.	SHEET NO.	DRAWING NO.	ISSUE
			TC-2255	B



NOTES

- 1 ALL OPENING EDGES TO BE DEBURRED.
- 2 STANDARD DRAWINGS SHOWN ARE INDICATIVE ONLY. STRUCTURAL DETAILS SHALL BE DESIGNED BY A PRE-QUALIFIED CONSULTANT TO THE SATISFACTION OF VICROADS AND SHALL COMPLY WITH VICROADS' SPECIFICATION BRIDGE TECHNICAL NOTES (BTN'S) AND AS 5100 WHERE APPLICABLE.
- 3 THE MOUNTING ARRANGEMENT OF THE LANTERN ASSEMBLY AND STATIC SIGN MAY VARY DEPENDING ON CROSS SECTION SIZE OF THE ANTRY BEAM AND IT SHALL BE DESIGNED TO THE SATISFACTION OF VICROADS.

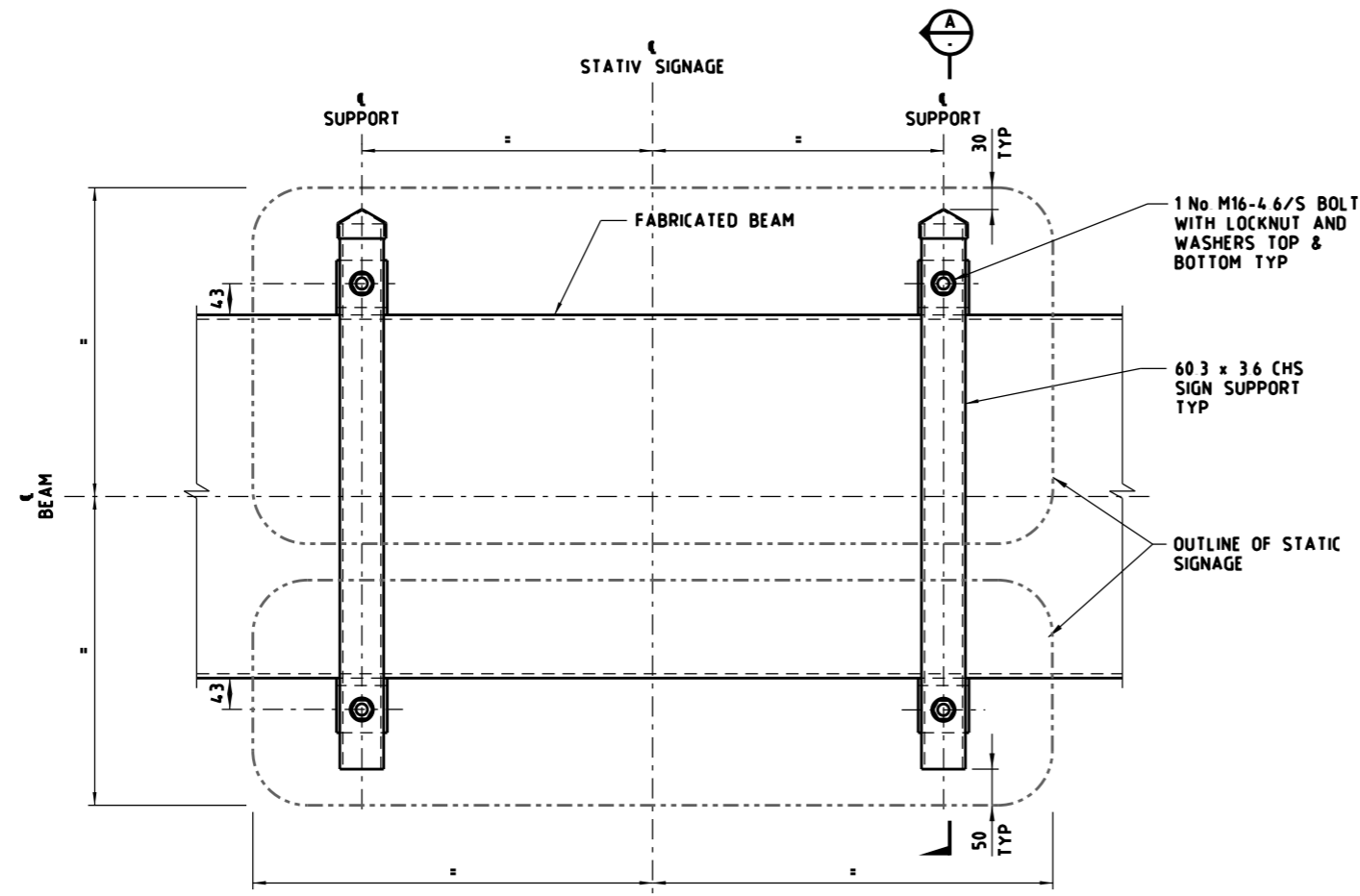
E			
D			
C			
B			
A	W H	12/2018	REVISION OF DETAIL
ISSUE	APP'D	DATE	AMENDMENT

GENERAL NOTES	
---------------	--

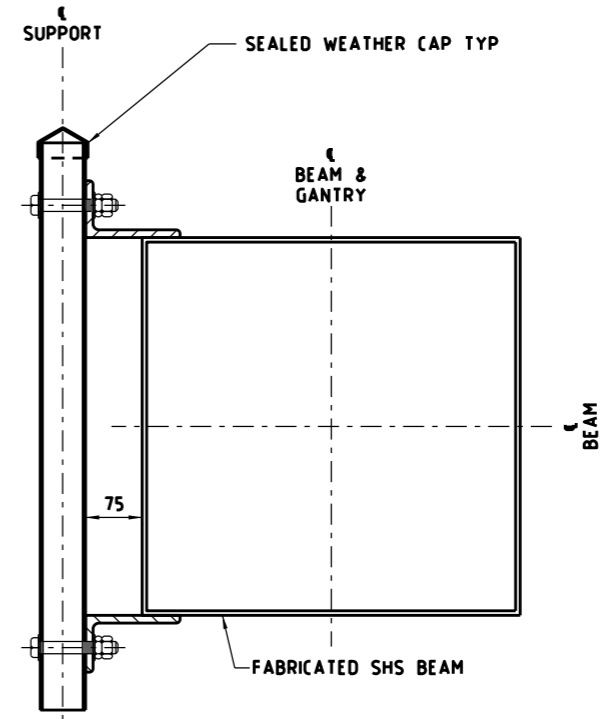
DESIGNED	M80 UPGRADE	07/2015
APPROVED	W HARVEY - MANAGER	
	ITS INFRASTRUCTURE & SYSTEM 08/2015	
CAT:		SCALE OF METRES
PROJ:		NTS
FILE:		HOR
		VER



STANDARD DRAWING MANAGED MOTORWAY			
FRS LANTERN SUPPORT STRUCTURES BEAM MOUNTED SIGNAL LANTERN HEAD SUPPORT ASSEMBLY - TYPICAL ARRANGEMENT			
FILE NO	CONTRACT NO	SHEET NO	DRAWING NO
			TC-2256
			ISSUE A



**BEAM MOUNTED
SIGN SUPPORT ASSEMBLY**
N T S
(APPROACH SIDE)



SECTION A
N T S

NOTE:

- 1 STANDARD DRAWINGS SHOWN ARE INDICATIVE ONLY. STRUCTURAL DETAILS SHALL BE DESIGNED BY A PRE-QUALIFIED CONSULTANT TO THE SATISFACTION OF VICROADS AND SHALL COMPLY WITH VICROADS' SPECIFICATION BRIDGE TECHNICAL NOTES (BTN'S) AND AS 5100 WHERE APPLICABLE.
- 2 THE MOUNTING ARRANGEMENT OF THE LANTERN ASSEMBLY AND STATIC SIGN MAY VARY DEPENDING ON CROSS SECTION SIZE OF THE ANTRY BEAM AND IT SHALL BE DESIGNED TO THE SATISFACTION OF VICROADS.

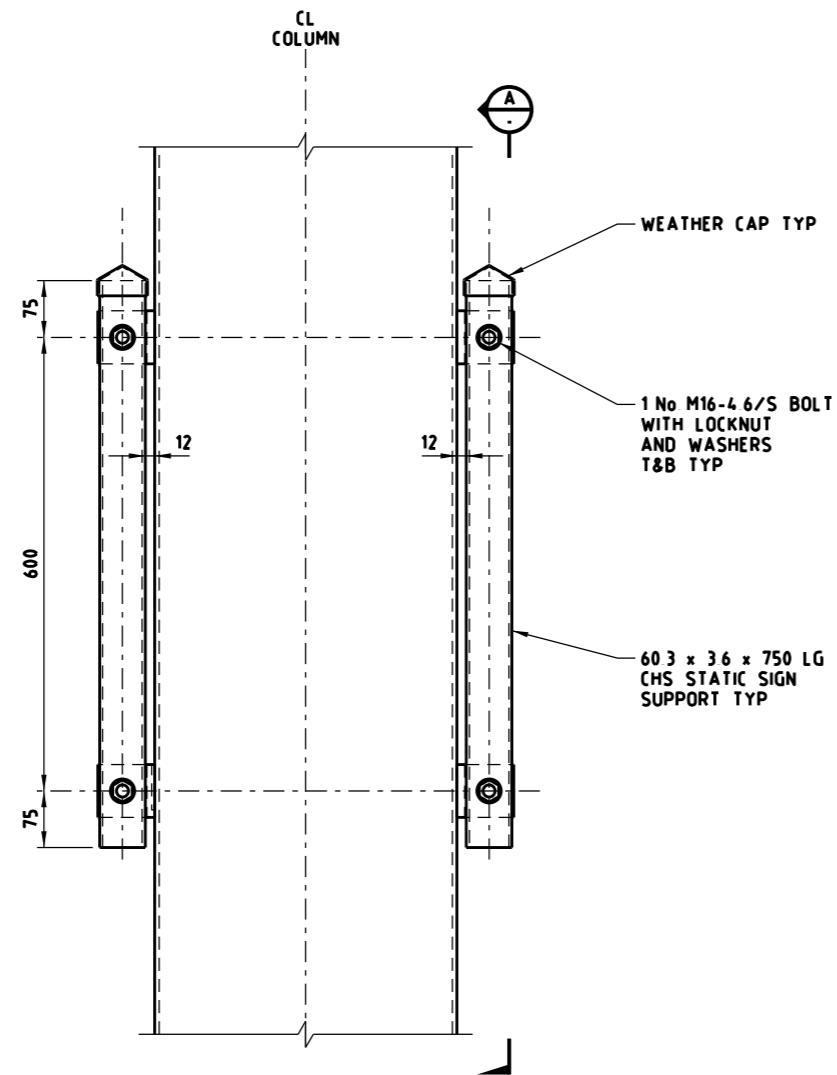
E			
D			
C			
B			
A	W H	12/2018	REMOVAL OF STRUCTURAL DETAIL
ISSUE	APP'D	DATE	AMENDMENT

GENERAL NOTES	
---------------	--

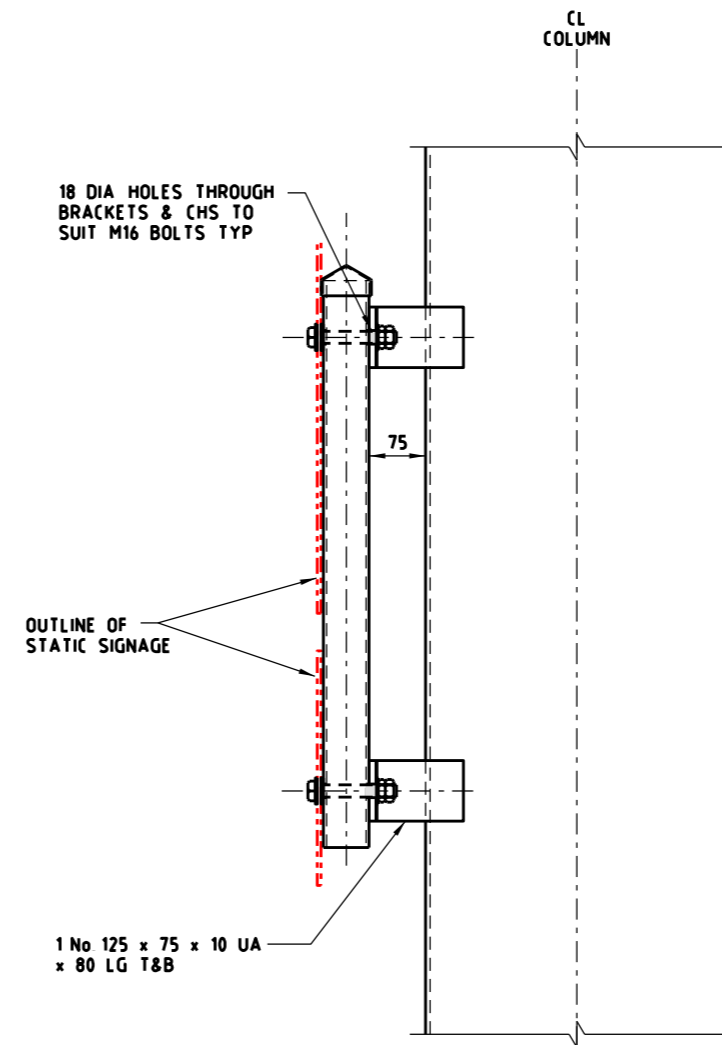
DESIGNED	M80 UPGRADE	07/2015
APPROVED	W HARVEY - MANAGER	
	ITS INFRASTRUCTURE & SYSTEM 08/2015	
CAT:		SCALE OF METRES
PROJ:		N T S
FILE:		HOR
		VER



STANDARD DRAWING MANAGED MOTORWAY				
FRS LANTERN SUPPORT STRUCTURES BEAM MOUNTED STATIC SIGN SUPPORT ASSEMBLY				
FILE NO	CONTRACT NO	SHEET NO	DRAWING NO	ISSUE
			TC-2257	A



**COLUMN MOUNTED
STATIC SIGN SUPPORT ASSEMBLY**
NTS
(APPROACH SIDE)



VIEW A
NTS

NOTE

- STANDARD DRAWINGS SHOWN ARE INDICATIVE ONLY. STRUCTURAL DETAILS SHALL BE DESIGNED BY A PRE-QUALIFIED CONSULTANT TO THE SATISFACTION OF VICROADS AND SHALL COMPLY WITH VICROADS' SPECIFICATION BRIDGE TECHNICAL NOTES (BTN'S) AND AS 5100 WHERE APPLICABLE.
- THE MOUNTING ARRANGEMENT OF THE LANTERN ASSEMBLY AND STATIC SIGN MAY VARY DEPENDING ON CROSS SECTION SIZE OF THE ANTRY BEAM AND IT SHALL BE DESIGNED TO THE SATISFACTION OF VICROADS.

E			
D			
C			
B			
A	WH	12/2018	REMOVAL OF STRUCTURAL DETAIL
ISSUE	APP'D	DATE	AMENDMENT

GENERAL NOTES	

DESIGNED	M80 UPGRADE	07/2015
APPROVED	W HARVEY - MANAGER	
	ITS INFRASTRUCTURE & SYSTEM 08/2015	
CAT:		SCALE OF METRES
PROJ:		NTS
FILE:		HOR VER



STANDARD DRAWING MANAGED MOTORWAY				
FRS LANTERN SUPPORT STRUCTURES COLUMN MOUNTED STATIC SIGN SUPPORT ASSEMBLY				
FILE NO	CONTRACT NO	SHEET NO	DRAWING NO	ISSUE
			TC-2259	A