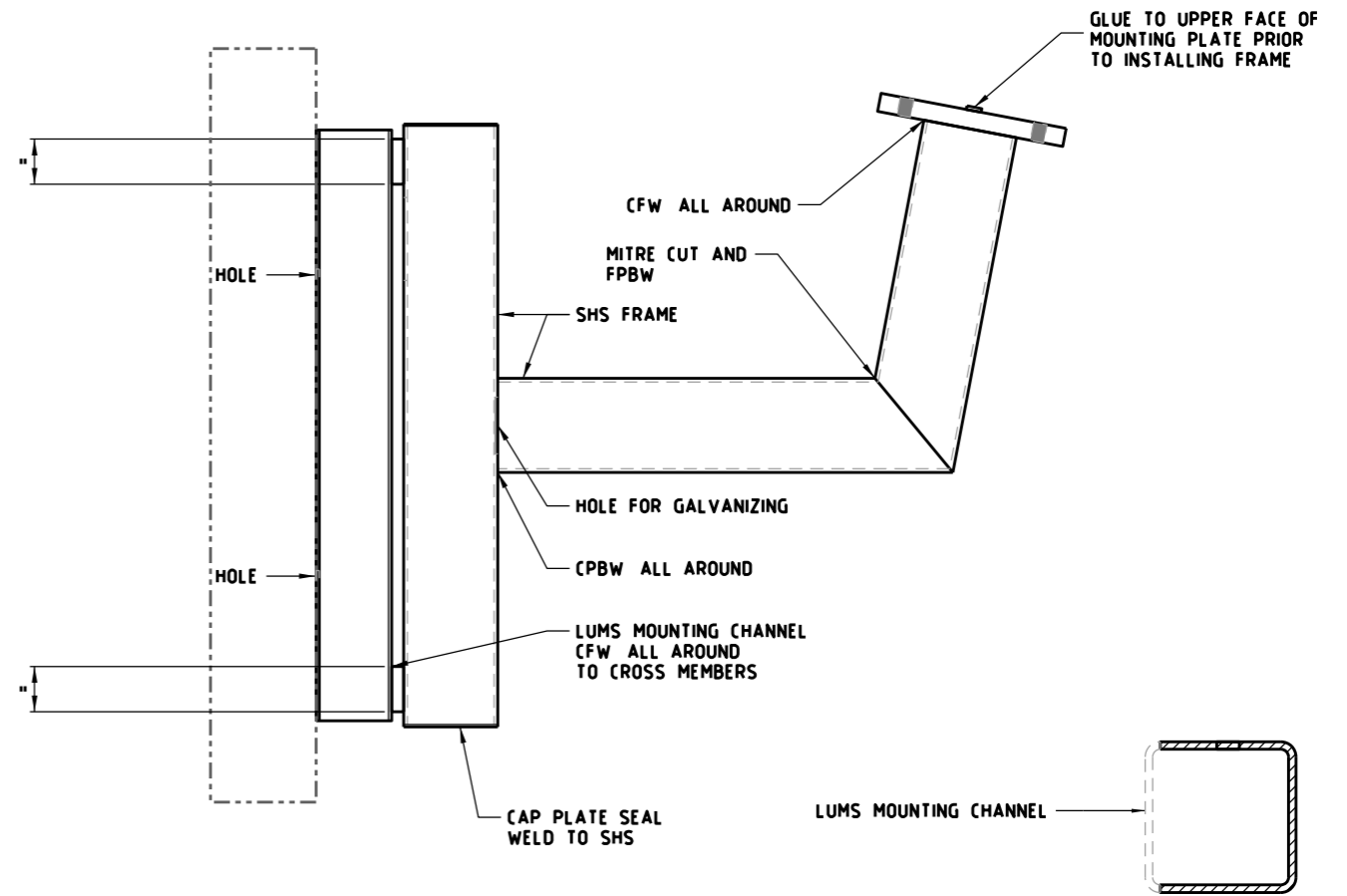
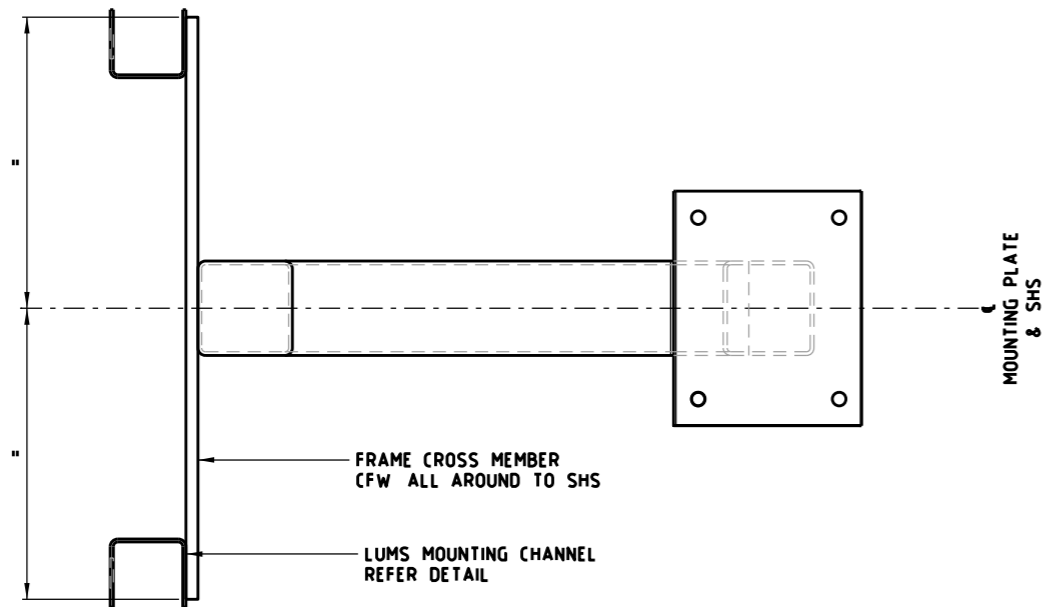


**FRAME FRONT ELEVATION**  
NTS

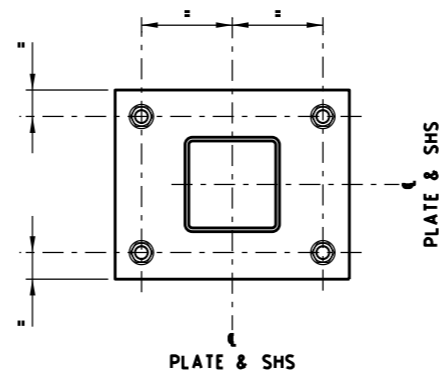


**FRAME SIDE ELEVATION**  
NTS

**LUS MOUNTING CHANNEL DETAIL**  
NTS



**FRAME PLAN**  
NTS



**MOUNTING PLATE DETAIL**  
NTS

**NOTES**

1. SUPPORT FRAME SHALL BE HOT-DIP GALVANISED AFTER FABRICATION
2. THIS DRAWING SHALL BE READ IN CONJUNCTION WITH STANDARD DRAWINGS TC-2310, TC-2311 AND TC-2314
3. STANDARD DRAWINGS SHOWN ARE INDICATIVE ONLY STRUCTURAL DETAILS SHALL BE DESIGNED BY A PRE-QUALIFIED CONSULTANT TO THE SATISFACTION OF VICROADS AND SHALL COMPLY WITH VICROADS' SPECIFICATION BRIDGE TECHNICAL NOTES (BTN'S) AND AS 5100 WHERE APPLICABLE
4. LUS MOUNTING ARRANGMENT DETAILS TO BE DESIGNED TO THE SATISFACTION OF VICROADS

E			
D			
C			
B			
A	WH	12/2018	REMOVAL OF STRUCTURAL DETAIL
ISSUE	APP'D	DATE	AMENDMENT

GENERAL NOTES	

DESIGNED	M80 UPGRADE	07/2015
APPROVED	W HARVEY - MANAGER	
	ITS INFRASTRUCTURE & SYSTEM 08/2015	
CAT.		SCALE OF METRES
PROJ.		NTS
FILE		HOR VER



<b>STANDARD DRAWING</b>				
MANAGED MOTORWAY				
<b>STRUCTURE MOUNTED LUMS ARRANGEMENTS</b>				
<b>MOUNTING FRAME TYPE 2</b>				
<b>TYPICAL ARRANGEMENT</b>				
FILE NO	CONTRACT NO	SHEET NO	DRAWING NO	ISSUE
			TC-2315	A