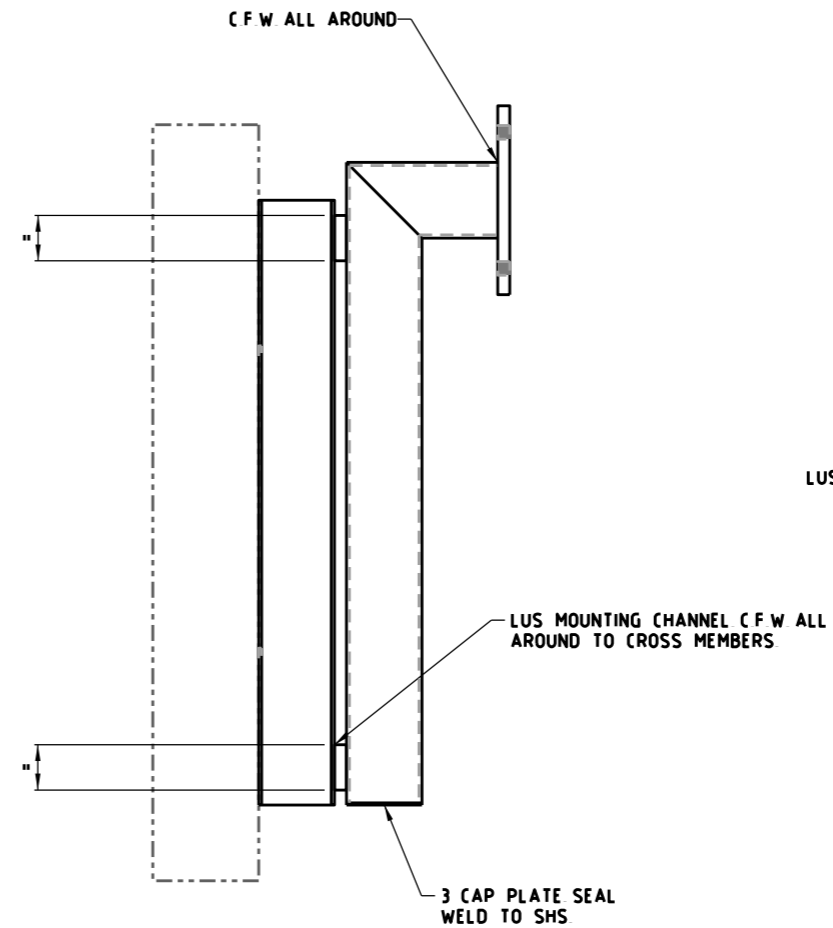
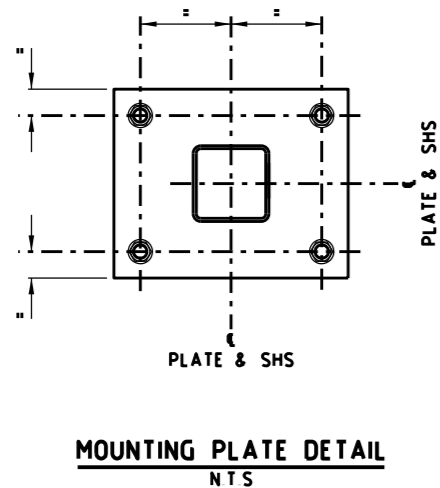
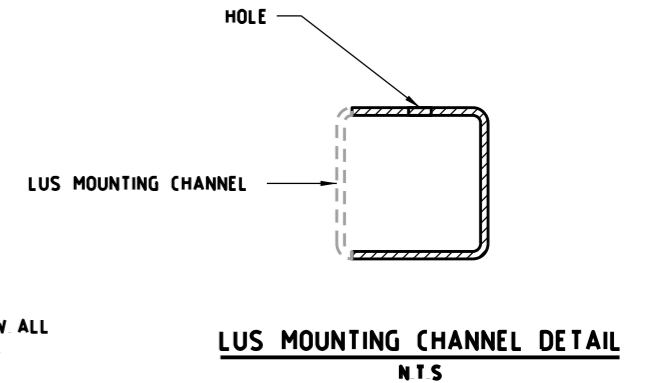


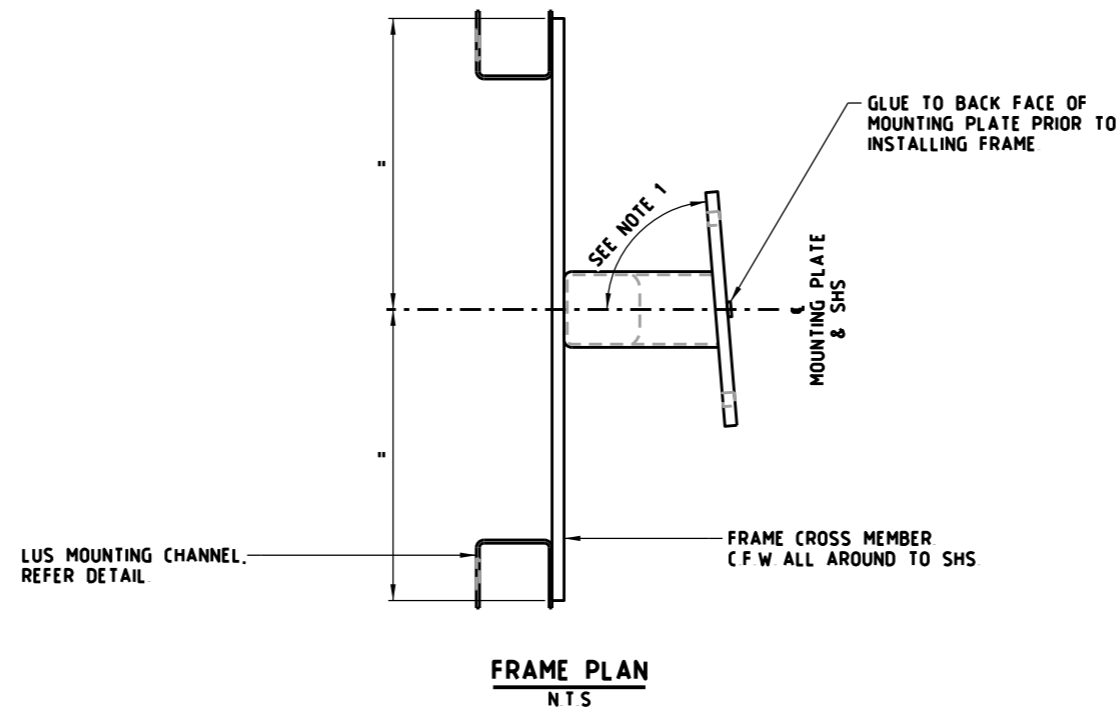
FRAME FRONT ELEVATION
NTS



FRAME SIDE ELEVATION
NTS



MOUNTING PLATE DETAIL
NTS



FRAME PLAN
NTS

NOTES

- 1 ANGLE TO BE SUCH THAT LUS ARE SET PERPENDICULAR TO LANE
- 2 SUPPORT FRAME SHALL BE HOT-DIP GALVANISED AFTER FABRICATION
- 3 THIS DRAWING SHALL BE READ IN CONJUNCTION WITH STANDARD DRAWINGS TC-2310, TC-2311 AND TC-2316
- 4 STANDARD DRAWINGS SHOWN ARE INDICATIVE ONLY STRUCTURAL DETAILS SHALL BE DESIGNED BY A PRE-QUALIFIED CONSULTANT TO THE SATISFACTION OF VICROADS AND SHALL COMPLY WITH VICROADS' SPECIFICATION BRIDGE TECHNICAL NOTES (BTN'S) AND AS 5100 WHERE APPLICABLE
- 5 LUS MOUNTING ARRANGMENT DETAILS TO BE DESIGNED TO THE SATISFACTION OF VICROADS

E			
D			
C			
B			
A	WH	12/2018	REMOVAL OF STRUCTURAL DETAIL
ISSUE	APP'D	DATE	AMENDMENT

GENERAL NOTES	

DESIGNED	M80 UPGRADE	07/2015
APPROVED	W HARVEY - MANAGER	
	ITS INFRASTRUCTURE & SYSTEM 08/2015	
CAT.		SCALE OF METRES
PROJ.		NTS
FILE		HOR VER



STANDARD DRAWING				
MANAGED MOTORWAY				
STRUCTURE MOUNTED LUMS ARRANGEMENTS				
MOUNTING FRAME TYPE 3				
TYPICAL ARRANGEMENT				
FILE NO	CONTRACT NO	SHEET NO	DRAWING NO	ISSUE
			TC-2317	A