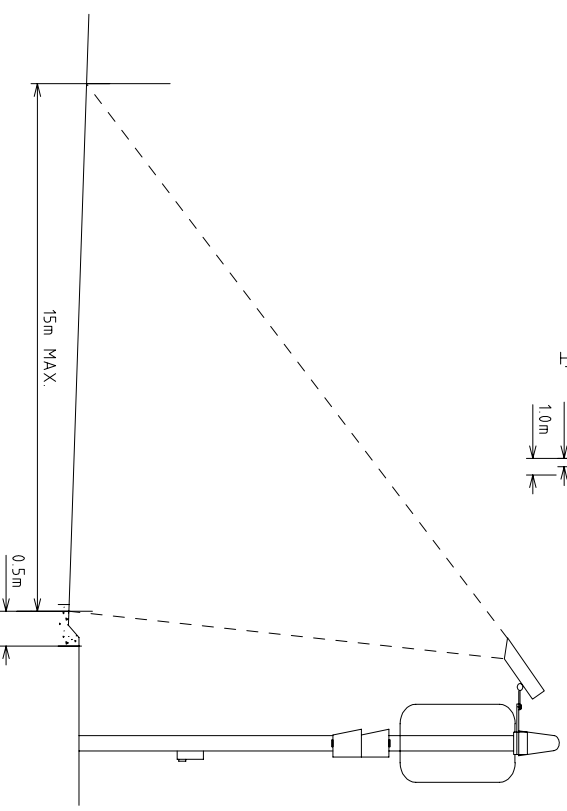
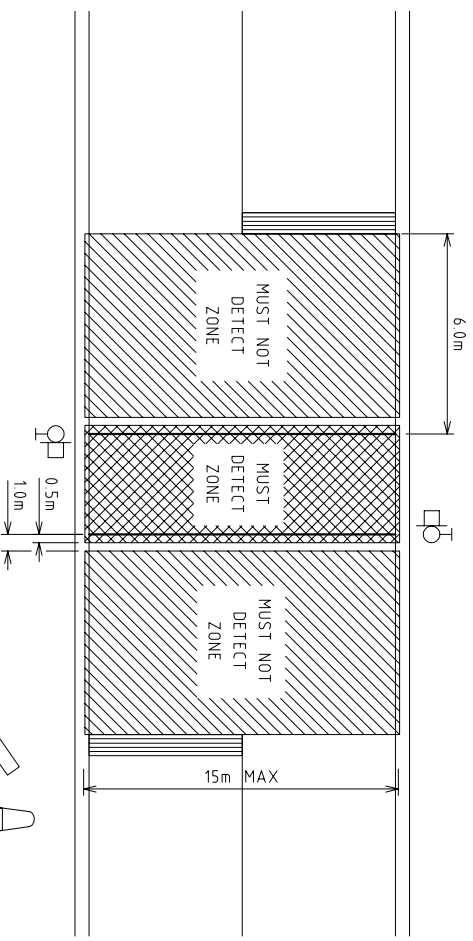


NOTE : FOR CABLE CONNECTIONS REFER TC-1205



GENERAL NOTES / CROSS REFERENCES
UNSPECIFIED DIMENSIONS ARE IN mm.



TRAFFIC AND TRANSPORT
INTEGRATION DEPARTMENT

INTELLIGENT TRANSPORT
SYSTEMS GROUP

STANDARD DRAWING

TYPICAL LAYOUT FOR "PUFFIN"
PEDESTRIAN OPERATED SIGNALS

E									
D									
C									
B									
A	0.2.	12.9.03	RELOCATE DETECTOR AND REMOVE CABLE CHART						
AMEND.	App'd.	DATE	AMENDMENTS						

CHECKED	DATE	APPROVED	DATE	SPEC. REF.	SHEET No.	DRAWING No.	AMENDMENT
L. FRENCH	13.10.00	B. HEARN	13.10.00			TC-1005	A
		MANAGER	LITS				