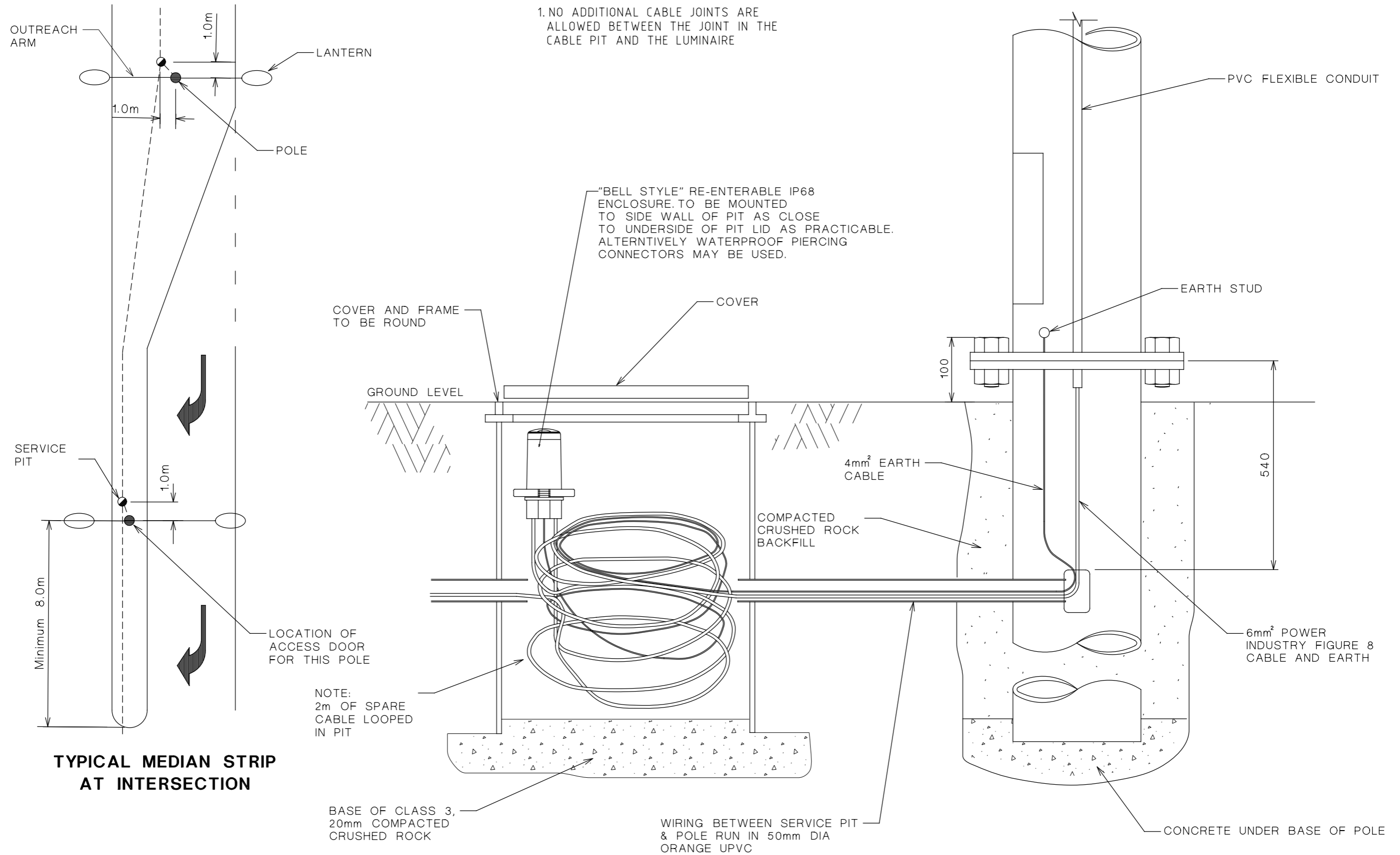


NOTES.

1. NO ADDITIONAL CABLE JOINTS ARE ALLOWED BETWEEN THE JOINT IN THE CABLE PIT AND THE LUMINAIRE



TYPICAL MEDIAN STRIP AT INTERSECTION

| AMEND. | APP'D | DATE | AMENDMENT |
|--------|-------|--------|------------------------------------|
| B | SP | 1/9/17 | CHANGE CABLE AND NEW NOTE. |
| A | SP | 1/6/14 | INCLUSION OF BELL STYLE ENCLOSURE. |

GENERAL NOTES/CROSS REFERENCES
UNSPECIFIED DIMENSIONS ARE IN mm
ASSOCIATED DRAWINGS:
TC-1210, TC-1220, TC-1230

INTELLIGENT TRANSPORT SYSTEMS
60 DENMARK STREET KEW, VICTORIA, 3101
PHONE (03) 9854 2111 FAX (03) 9854 2319

CHECKED
S.P 18/09/06
APPROVED
S.B 19/09/06
CAT:
PROJ:
FILE:

SCALE OF METRES
HOR NOT TO SCALE
VER

STANDARD DRAWING
STREET LIGHTING
IMPACT ABSORBING POLE
ELECTRICAL INSTALLATION DETAILS

| | | | | |
|----------|------------|-----------|------------------------|-------------|
| FILE NO. | SPEC. REF. | SHEET NO. | DRAWING NO. TC-1071 | AMEND. B |
|----------|------------|-----------|------------------------|-------------|