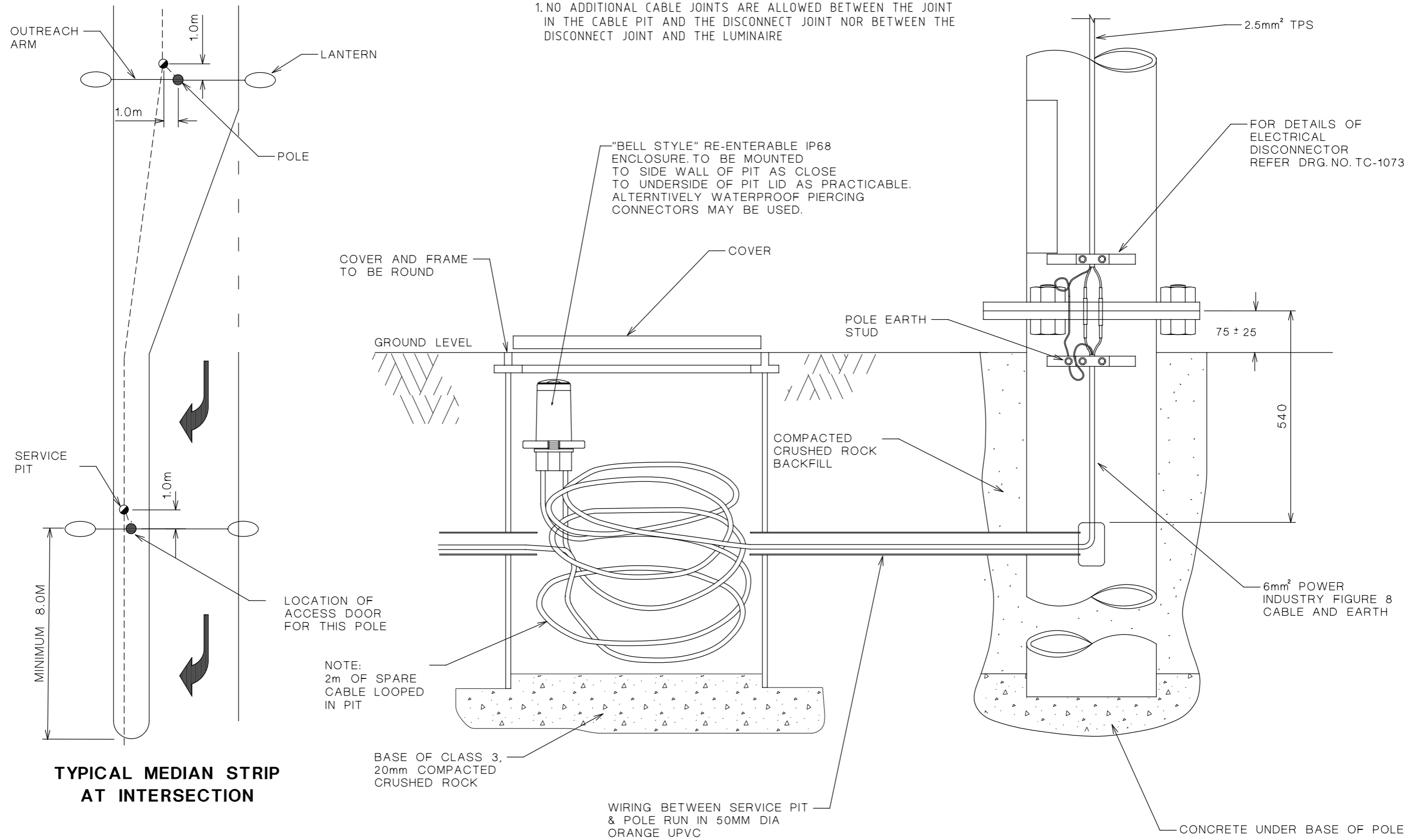


NOTES.

1. NO ADDITIONAL CABLE JOINTS ARE ALLOWED BETWEEN THE JOINT IN THE CABLE PIT AND THE DISCONNECT JOINT NOR BETWEEN THE DISCONNECT JOINT AND THE LUMINAIRE



**TYPICAL MEDIAN STRIP AT INTERSECTION**

GENERAL NOTES/CROSS REFERENCES  
UNSPECIFIED DIMENSIONS ARE IN mm  
ASSOCIATED DRAWINGS:  
TC-1210, TC-1220, TC-1230

INTELLIGENT TRANSPORT SYSTEMS  
60 DENMARK STREET KEW, VICTORIA, 3101  
PHONE (03) 9854 2111 FAX (03) 9854 2319

CHECKED S.P 18/09/06  
APPROVED S.B 19/09/06  
CAT:  
PROJ:  
FILE:



SCALE OF METRES  
HOR NOT TO SCALE  
VER

STANDARD DRAWING  
**STREET LIGHTING**  
SLIP BASE POLE  
**ELECTRICAL INSTALLATION DETAILS**

FILE NO.	SPEC. REF.	SHEET NO.	DRAWING NO.	AMEND.
			TC-1072	B

AMEND.	APP'D	DATE	AMENDMENT
B	SP	1/9/17	CHANGE CABLE AND NEW NOTE.
A	SP	1/6/14	INCLUSION OF BELL STYLE ENCLOSURE.