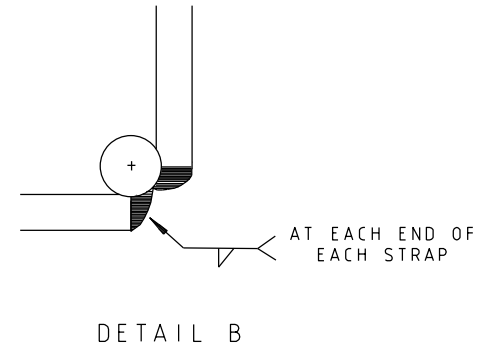
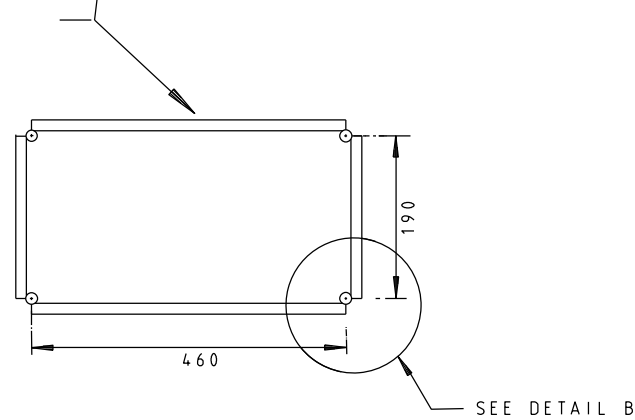


4 No. 6X32 BLACK STEEL STRAP
WELDED TO RAG BOLTS.



THIS DRAWING SUPERSEDES DRG. No 41798 (IN PART)

E			
D			
C			
B			
A			
AMEND.	APP'D	DATE	AMENDMENT

GENERAL NOTES/CROSS REFERENCES
UNSPECIFIED DIMENSIONS ARE IN mm
FOR TYPE 2 FOUNDATION DETAIL REFER TO TC-1074

INTELLIGENT
TRANSPORT
SYSTEMS

60 DENMARK STREET
KEW,
VICTORIA, 3101
PHONE (03) 9854 2111
FAX (03) 9854 2319

CHECKED
S Purfill 24/04/14

APPROVED
W Harvey 24/04/14

CAT:
PROJ:
FILE:

SCALE OF METRES
HOR. NOT TO SCALE
VER.

STANDARD DRAWING
RAG BOLT ASSEMBLY FOR CABINET
M12 600X460X255

FILE NO.	SPEC. REF.	SHEET NO.	DRAWING NO. TC-1075	AMEND.
----------	------------	-----------	------------------------	--------