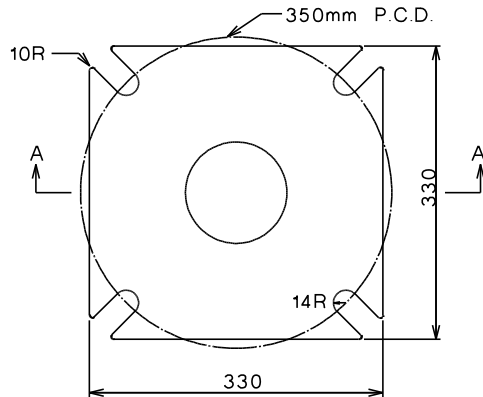


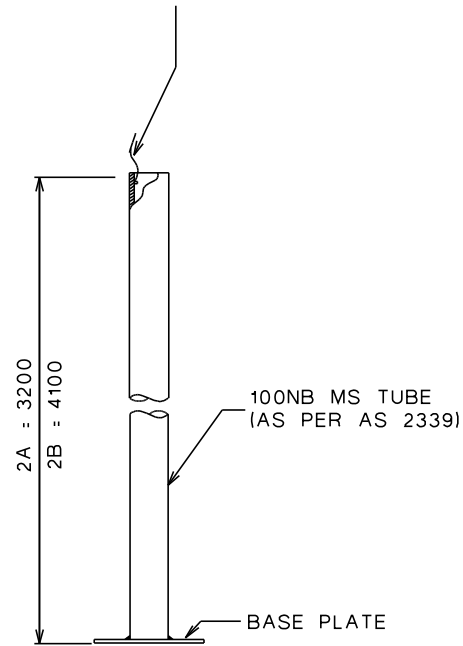
SECTION A-A



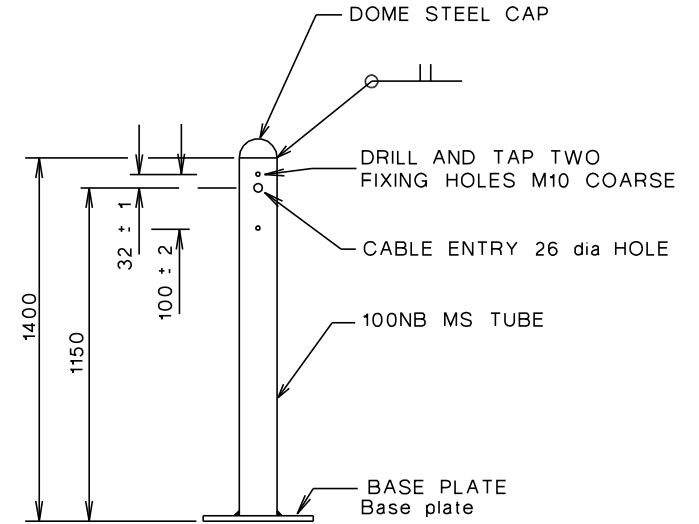
BASE PLATE DETAIL

4 No. 28mm WIDE SLOTS ON 350mm PITCH
CIRCLE DIAMETER. 16mm THICK MILD STEEL

PROVISION FOR EARTHING:
A 300mm LENGTH OF COPPER WIRE TO BE
SUITABLY FASTENED TO EARTHING SCREW.
FASTENED LENGTH TO BE AT LEAST 50mm.
COPPER WIRE TO BE AT LEAST 7/0.85mm.



TRAFFIC SIGNAL POST
TYPE 2A AND 2B



PUSH BUTTON (TYPE 3) POST

NOTE: POSTS TO CONFORM WITH AS 2339 UNLESS SHOWN OTHERWISE

THIS DRAWING SUPERSEDES No. 85 4018 (IN PART)



STANDARD DRAWING

TRAFFIC SIGNAL POST - TYPES 2A, 2B & 3

INTELLIGENT TRANSPORT
SYSTEMS GROUP

CHECKED DATE
S.P. 7/1/2002

APPROVED DATE
K.W. 7/1/2002
MANAGER ITS

SPEC. REF.

SHEET No.

DRAWING No.
TC-1100

AMENDMENT
A

E			
D			
C			
B			
A	D.Z.	12.09.05	MODIFY DETAIL OF PEDESTAL BORE
AMEND.	Appd.	DATE	AMENDMENTS

GENERAL NOTES / CROSS REFERENCES
UNSPECIFIED DIMENSIONS ARE IN mm.