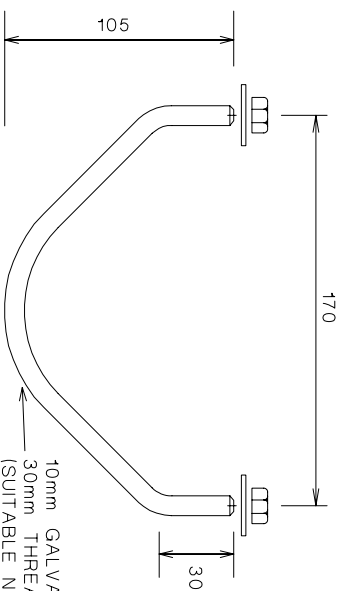
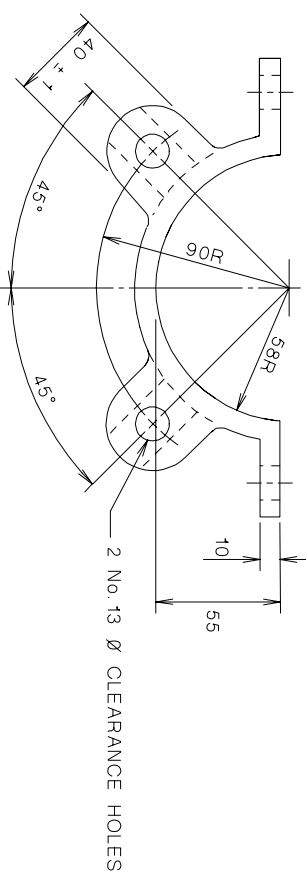
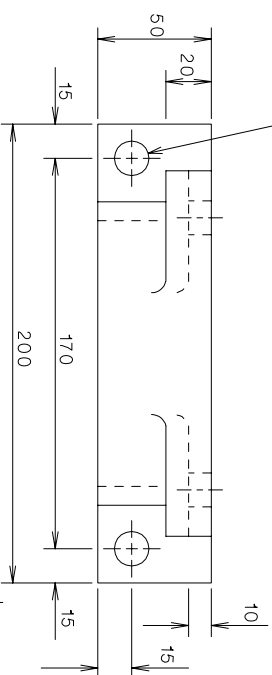
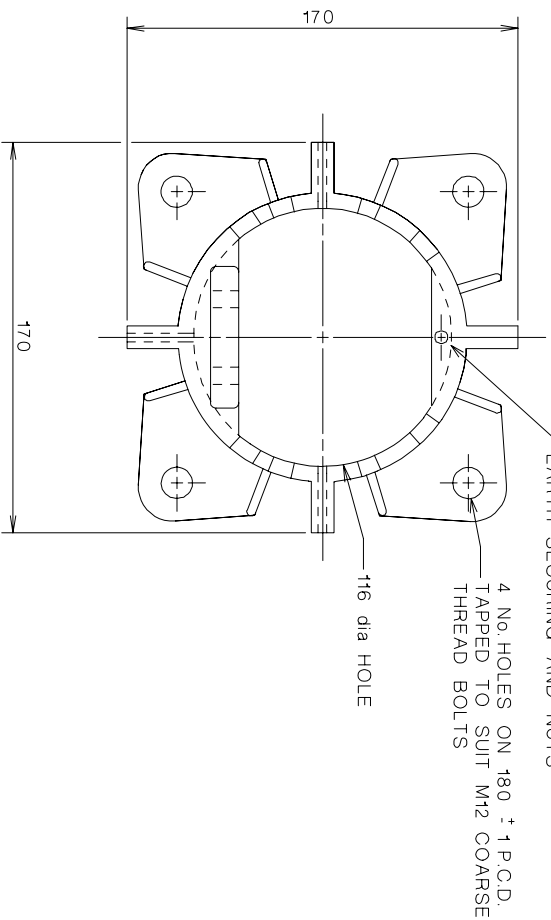
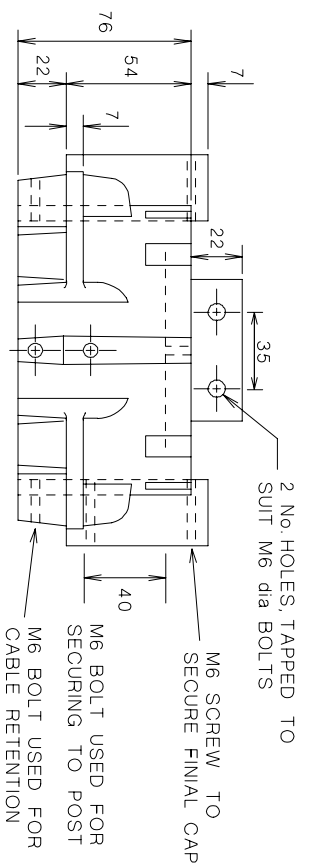


2 No. 13 Ø CLEARANCE HOLES



UPPER MOUNTING BRACKET DETAIL

LOWER MOUNTING BRACKET DETAIL

GENERAL NOTES / CROSS REFERENCES

- ALL DIMENSIONS ARE IN mm.
- 1. SUPERSIDES RTA 85 4018 (1 IN PART)
- 2. BRACKETS SHALL GENERALLY CONFORM TO SECTION 3 OF THE AS 2339.
- 3. WHERE BRACKETS ARE SPECIFIED, COMBINE 2 * 2 BRACKETS WITH SUITABLE M12 NUT AND BOLTS.

STANDARD DRAWING

TRAFFIC SIGNAL MOUNTING BRACKETS



TRAFFIC SYSTEM OPERATION

E			
D			
C			
B			
A			
AMEND.	Appd.	Date	AMENDMENTS

CHECKED	DATE	APPROVED	DATE	SPEC. REF.	SHEET No.	DRAWING No.	AMENDMENT
		T.S.O. MANAGER				TC-1101	