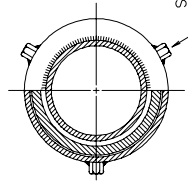
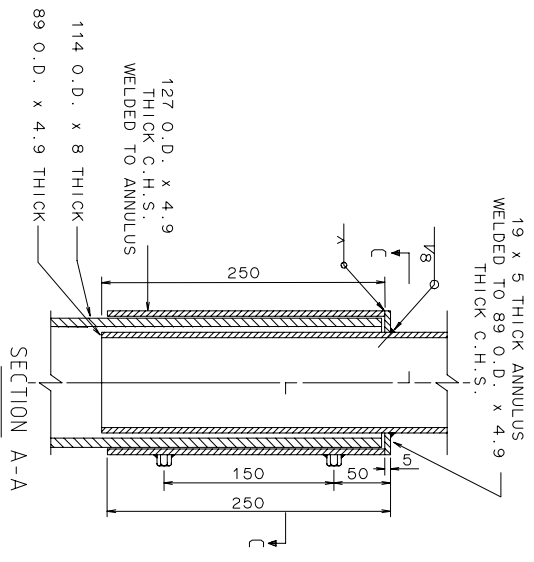


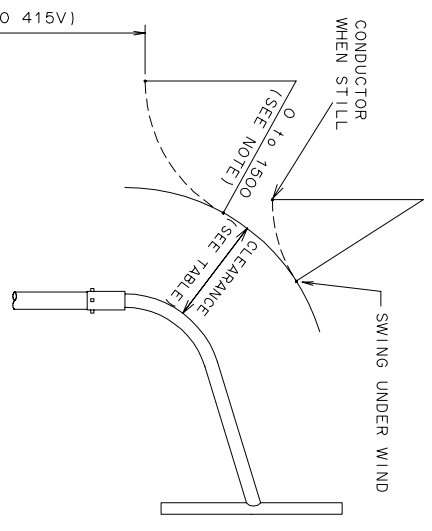
5360 (FROM BOTTOM OF BASE PLATE TO TOP OF PEDESTAL)
THE PEDESTAL HEIGHT MAY BE REDUCED BY UP TO 400
ON SITE IF REQUIRED

MINI MAST ARM 1.4m OUTREACH



6 No. 12 DIAM NUTS EQUI SPACED
ON 127 O.D. C.H.S. PROVIDE
6 No. 12 HEXAGON HEAD SET SCREWS

SECTION C-C

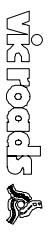


CLEARANCE
MIN 750 UP TO 415V
2100 11kV & 22kV
3000 66kV

NOTE: IF PEDESTAL IS INSTALLED
CLOSE TO SUPPLY POLE THIS
DIMENSION IS ZERO. AT MID SPAN
A SAG OF 15m SHOULD BE ALLOWED
FOR BETWEEN THESE TWO POINTS
SAG VARIES PROPORTIONALLY.

STANDARD DRAWING

MINI MASTARM (TYPE 2D)



TRAFFIC AND ROAD USE
MANAGEMENT DEPARTMENT

TRAFFIC SYSTEM OPERATION

GENERAL NOTES / CROSS REFERENCES
UNSPECIFIED DIMENSIONS ARE IN mm.

E		
D		
C		
B		
A		
AMEND.	Appd.	DATE
AMENDMENTS		

CHECKED	DATE	APPROVED	DATE	SPEC. REF.	SHEET No.	DRAWING No.	AMENDMENT
		T.S.O. MANAGER				TC - 1103	