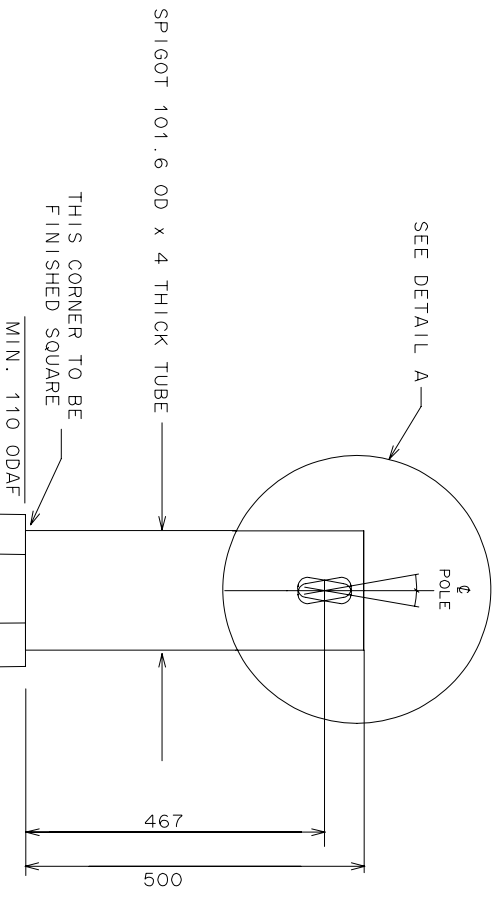
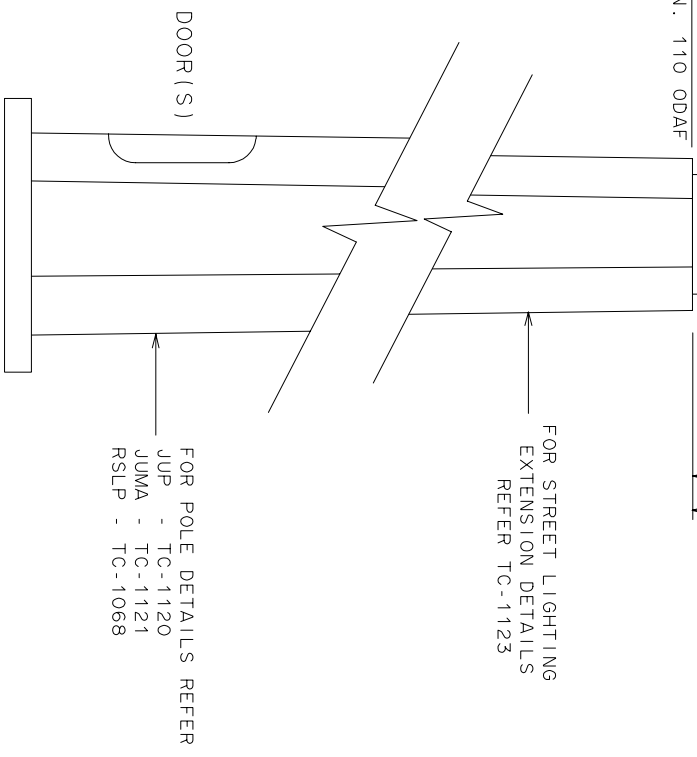


DETAIL A

2 FIXING SLOTS LOCATED 180° APART.  
 ONE SLOT AS SHOWN, OTHER SLOT  
 PLACED 10° IN OPPOSITE DIRECTION  
 TO VERTICAL AS VIEWED FROM SAME SIDE.



THIS CORNER TO BE  
 FINISHED SQUARE



FOR STREET LIGHTING  
 EXTENSION DETAILS  
 REFER TC-1123

FOR POLE DETAILS REFER  
 JUP - TC-1120  
 JUMA - TC-1121  
 RSLP - TC-1068

GENERAL NOTES / CROSS REFERENCES  
 1. UNSPECIFIED DIMENSIONS ARE IN mm.  
 2. SPIGOT CAP FITS OVER 101.6 dia SPIGOT  
 ON ALL POLES FOR STREET LIGHTING.  
 MATERIAL: 16 SWG TO BE GALVANIZED  
 AFTER MANUFACTURE TO AS 1650.

E			
D			
C			
B			
A			
AMEND.	Appd.	DATE	AMENDMENTS

		TRAFFIC AND ROAD USE MANAGEMENT DEPARTMENT	
STANDARD DRAWING FOR TRAFFIC SIGNALS AND STREET LIGHTING JUMA, JUP and RSLP STREET LIGHTING EXTENSIONS SPIGOT DETAIL and SPIGOT CAP			
CHECKED	DATE	APPROVED	DATE
RS/17/02/2000		BH/23/02/2000	
TRAFFIC SYSTEM OPERATION		T.S.O. MANAGER	
	TC-S 01		TC-1111