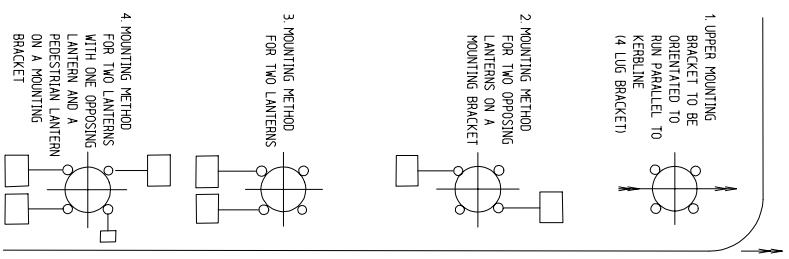
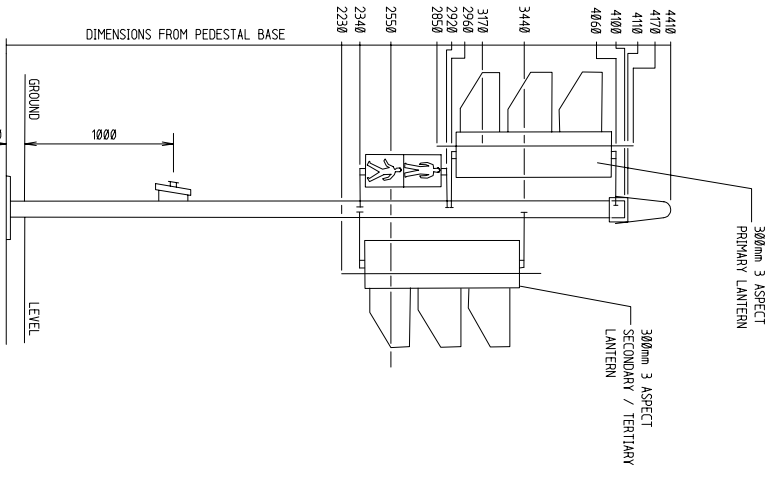


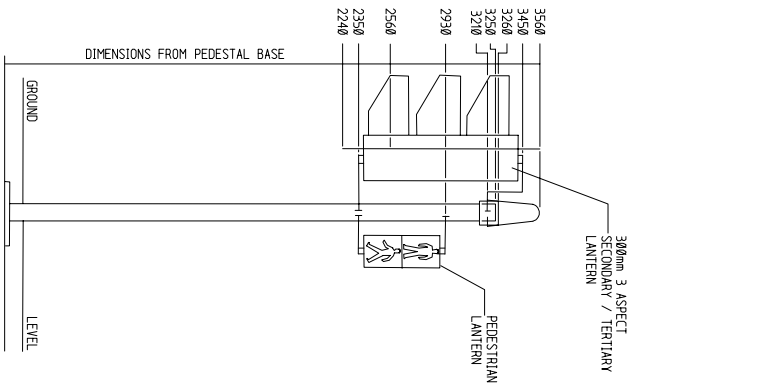
PRIMARY, SECONDARY / TERTIARY AND PEDESTRIAN LANTERNS



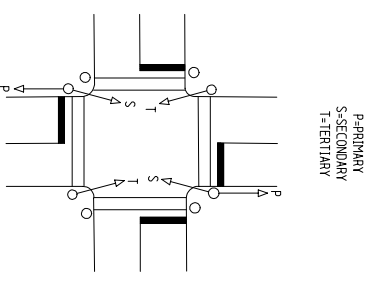
ORIENTATION OF BRACKET



2B PEDESTAL AND
1.4m OUTREACH MAST ARM



2A PEDESTAL



POSITION OF LANTERNS

LANTERN MOUNTING HEIGHTS

GENERAL NOTES / CROSS REFERENCES
UNSPECIFIED DIMENSIONS ARE IN mm.

STANDARD DRAWING



LANTERN ORIENTATION AND MOUNTING
HEIGHTS FOR 300mm LANTERNS ON
STANDARD POSTS

E		
D		
C		
B		
A		
AMEND.	Appd.	DATE

AMENDMENTS

TRAFFIC SYSTEM OPERATION

CHECKED	DATE	APPROVED	DATE	SPEC. REF. SHEET No.	DRAWING No.	AMENDMENT
		T.S.O. MANAGER			TC - 1117	