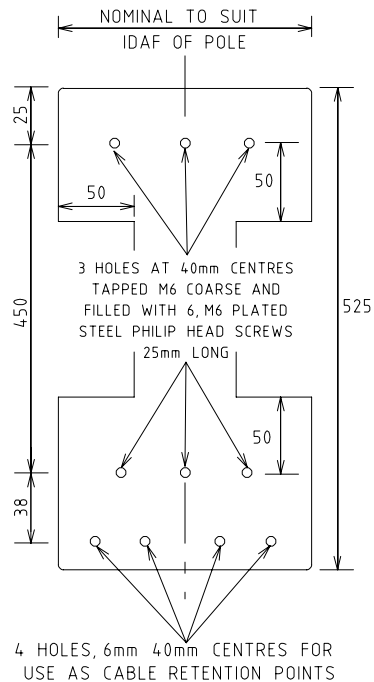
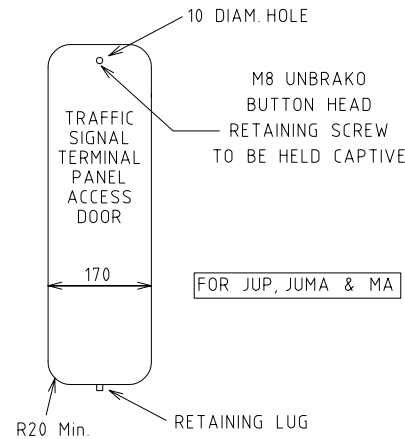
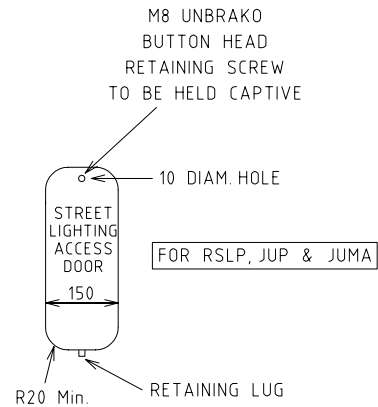
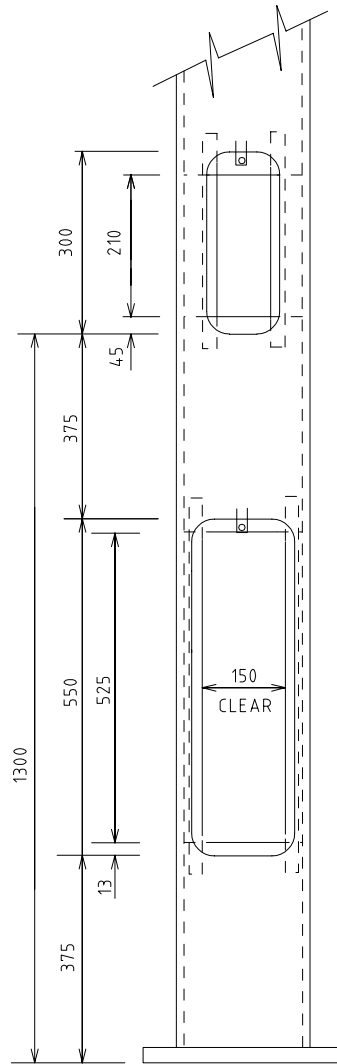


**TRAFFIC SIGNAL TERMINATION
SUPPORT PLATE**



NOTES:

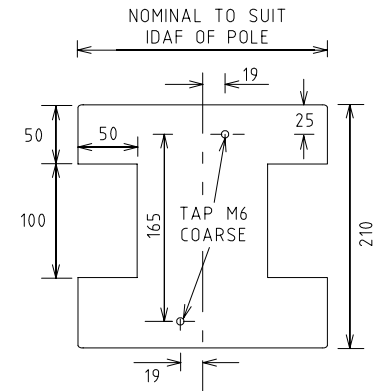
1. 525 x IDAF x 3 THICK PLATED STEEL SHEET.
2. TRAFFIC SIGNAL TERMINATION SUPPORT PLATE SHALL BE SET BACK AT LEAST 100mm BEHIND ACCESS DOOR



GENERAL NOTES :

1. INSULATED COPPER EARTH WIRES 1000 LONG (7 X 0.85) ARE TO BE SUITABLY ATTACHED TO THE COLUMN (BOTH THE TRAFFIC SIGNAL TERMINATION SUPPORT PLATE AND THE STREET LIGHTING MOUNTING PLATE) BY MEANS OF M6 SCREWS AND WASHERS.

**STREET LIGHTING MOUNTING PLATE
FOR USE WITH VESI CABLE TERMINATION PANEL**




NOTES:

1. 210 x IDAF x 3 THICK PLATED STEEL SHEET, WITH 2 TAPPED HOLES, M6 COARSE.
2. TO BE SUPPLIED WITH 2 No. 20 LONG M6 COMMERCIAL ZINC PLATED HEXAGONAL HEAD AND PHILIPS DRIVE SET SCREWS.
3. STREET LIGHTING MOUNTING PLATE SHALL BE SET BACK AT LEAST 100mm BEHIND STREET LIGHTING ACCESS DOOR.

E			
D			
C			
B			
A	RS	21/8/01	EARTHING AND RETAINING SCREW
AMEND.	Appd.	DATE	AMENDMENTS

GENERAL NOTES / CROSS REFERENCES
UNSPECIFIED DIMENSIONS ARE IN mm.
FOR USE WITH TC-1018
TC-1120
TC-1121
TC-1122

vik roads 
TRAFFIC AND ROAD USE
MANAGEMENT DEPARTMENT

TRAFFIC SYSTEM OPERATION

STANDARD DRAWING FOR TRAFFIC SIGNALS AND STREET LIGHTING DOOR OPENINGS AND CABLE TERMINATION BLOCK MOUNTING DETAILS	
CHECKED DATE RS. 17/02/2000	APPROVED DATE BH. 23/02/2000 T.S.O. MANAGER
SPEC. REF.	SHEET No.
DRAWING No.	AMENDMENT
TC-1118	A