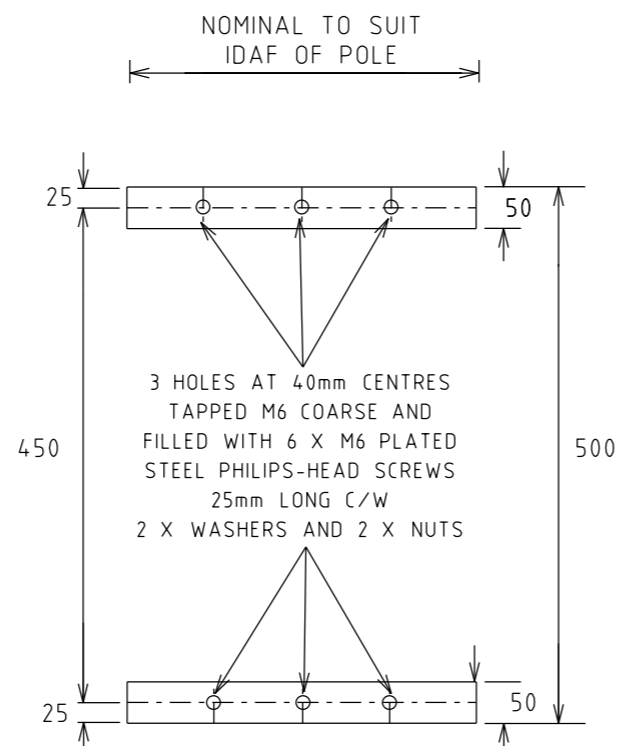


STREET LIGHTING MOUNTING PLATE
NOT TO SCALE

NOTES:

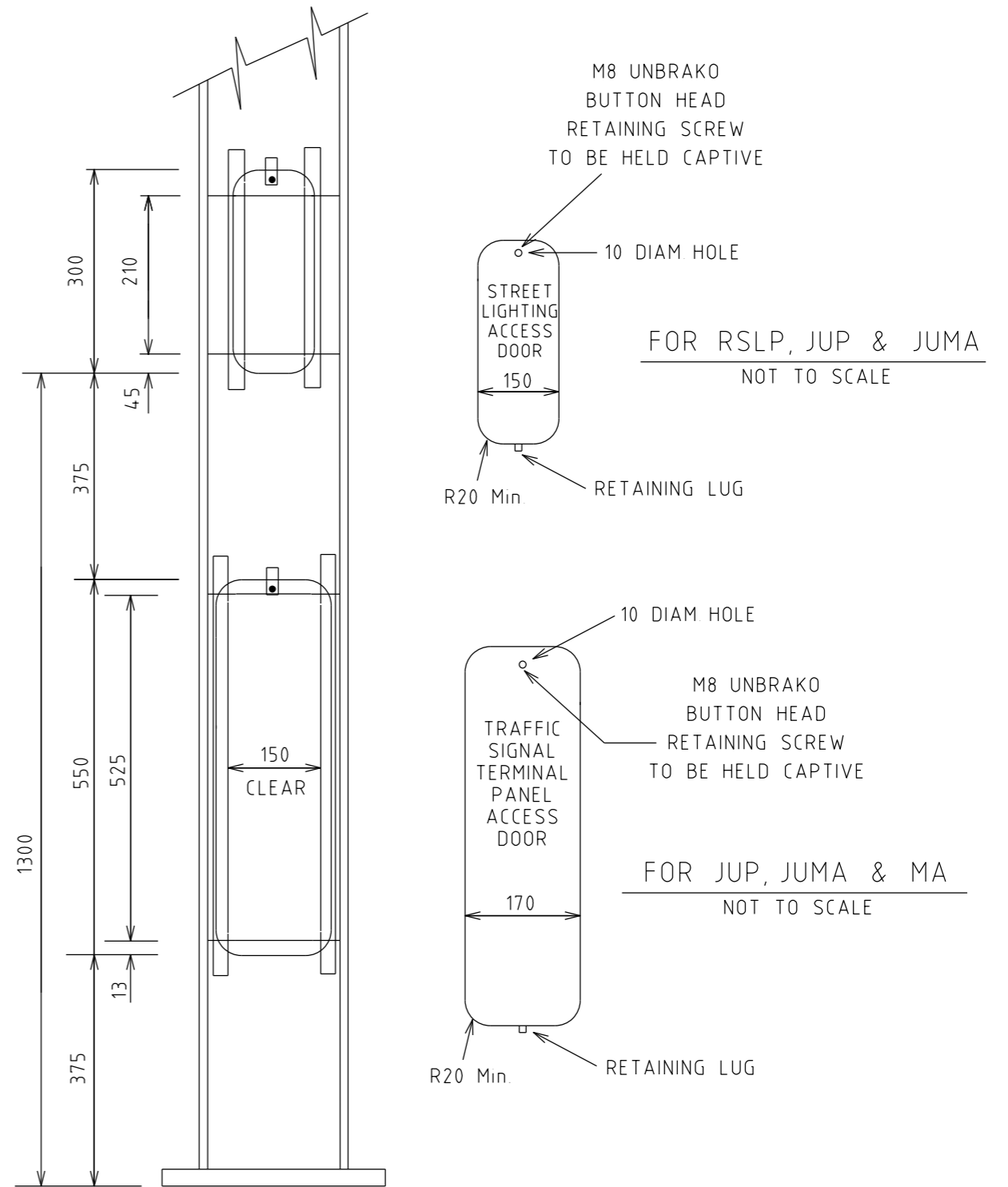
- 1 215 x IDAF x 3 THICK PLATED STEEL SHEET WITH 3 TAPPED HOLES M6 COARSE
- 2 TO BE SUPPLIED WITH 3 X No 20mm LONG M6 ZINC PLATED HEXAGONAL HEAD AND PHILIPS DRIVE SET SCREWS.
- 3 STREET LIGHTING MOUNTING TERMINATION SUPPORT PLATES BE SET BACK AT LEAST 100mm BEHIND STREET LIGHTING ACCESS DOOR



TRAFFIC SIGNAL TERMINATION SUPPORT PLATE
NOT TO SCALE

NOTES

- 1 2 No of 50 x IDAF x 3 THICK PLATED STEEL SHEET
- 2 TRAFFIC SIGNAL TERMINATION SUPPORT PLATES SHALL BE SET BACK AT LEAST 100mm BEHIND ACCESS DOOR



ISSUE	APP'D	DATE	AMENDMENT
E			
D			
C			
B	Z S	09/2022	INCLUDE EARTHING CONNECTION FOR STREET LIGHTING
A	R S	08/2001	EARTHING AND RETAINING SCREW

GENERAL NOTES	
1	ALL DIMENSIONS IN MILLIMETERS
2	FOR USE WITH TC-1018, TC-1120, TC-1121, TC-1122

DESIGNED R S 17 02 00
APPROVED B H 23 02 00
CAT Road Design PROJ (a)General FILE TC-118a dgn

vicroads

SCALE OF METRES

HOR VER

ITS STANDARD DRAWINGS DOOR OPENING AND CABLE TERMINATION BLOCK MOUNTING DETAILS				
FILE NO	CONTRACT NO	SHEET NO	DRAWING NO TC-1118	ISSUE B