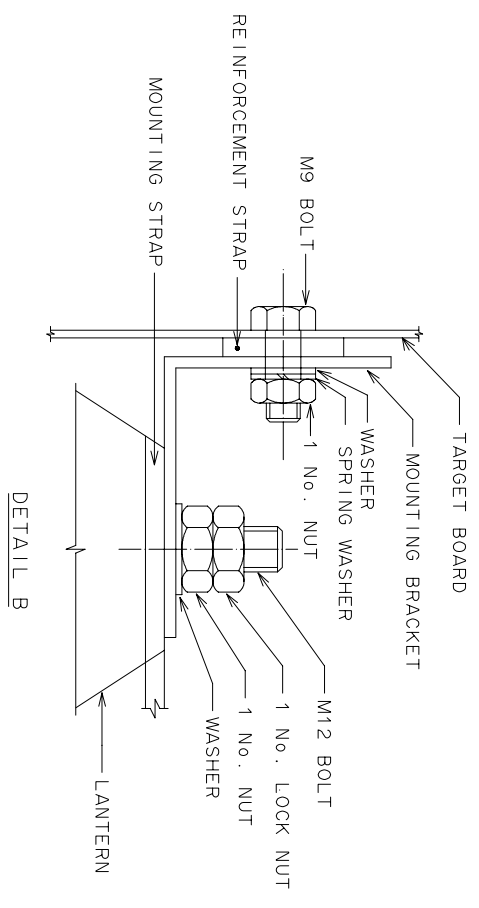
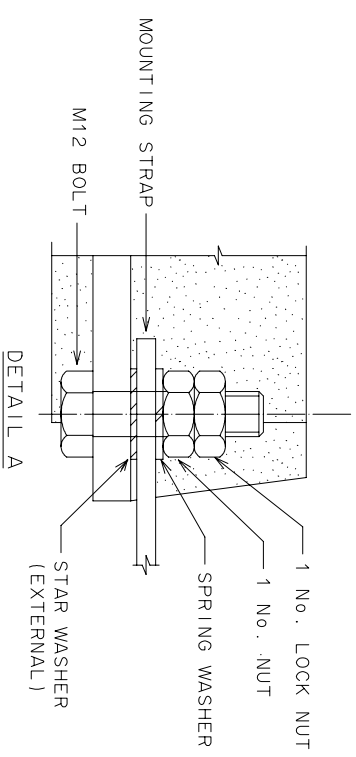


LANTERN MOUNTING DETAILS



E		
D		
C		
B		
A		
AMEND.	Appd.	DATE
AMENDMENTS		

GENERAL NOTES / CROSS REFERENCES  
UNSPECIFIED DIMENSIONS ARE IN mm.  
DRAWINGS ARE NOT TO SCALE



TRAFFIC AND ROAD USE  
MANAGEMENT DEPARTMENT

TRAFFIC SYSTEM OPERATION

STANDARD DRAWING FOR TRAFFIC SIGNALS

LANTERN MOUNTING DETAILS

CHECKED	DATE	APPROVED	DATE	SPEC. REF.	SHEET No.	DRAWING No.	AMENDMENT
L. FRENCH	13/10/00	B. HEARN	13/10/00			TC - 1119	
		T. S. O. MANAGER					