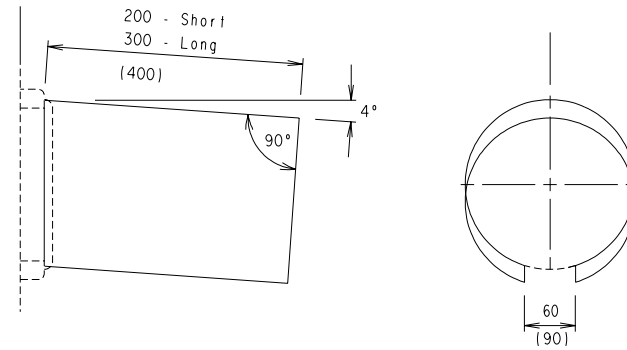
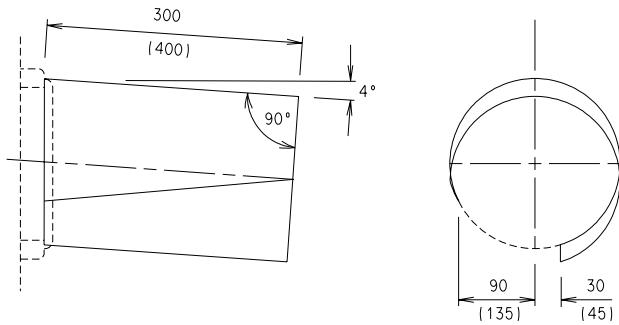


TYPE 1. OPEN VISOR

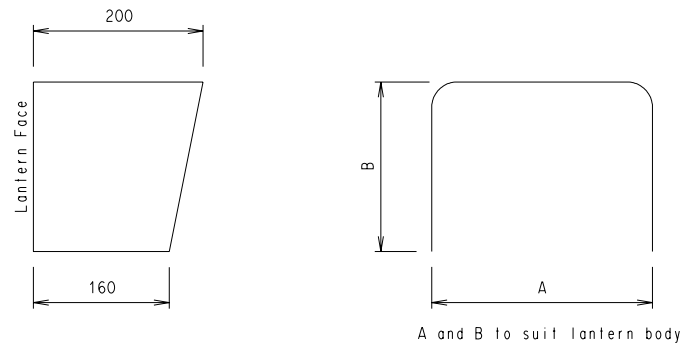


TYPE 3. CLOSED VISOR



TYPE 2. CUT AWAY VISOR

Type 2RH shown for mounting on right hand side of road.
Type 2LH mirror image for mounting on left hand side of road.



TYPE 4. PEDESTRIAN VISOR

For Type 1 Pedestrian Lantern

E			
D			
C			
B			
A	S.B.	14/3/07	INCLUSION OF 200MM SHORT TYPE 3 VISOR
AMEND.	Appd.	DATE	AMENDMENTS

GENERAL NOTES / CROSS REFERENCES
UNSPECIFIED DIMENSIONS ARE IN mm.

DIMENSIONS IN BRACKETS APPLY TO
300MM LANTERNS.

ALL OTHER DIMENSIONS APPLY TO
200MM LANTERNS.

		STANDARD DRAWING							
		VISOR DIMENSIONS							
INTELLIGENT TRANSPORT SYSTEMS GROUP		CHECKED	DATE	APPROVED	DATE	SPEC. REF.	SHEET No.	DRAWING No.	AMENDMENT
				<i>Self</i>	4/86			TC-1127	A
				MANAGER ITS					