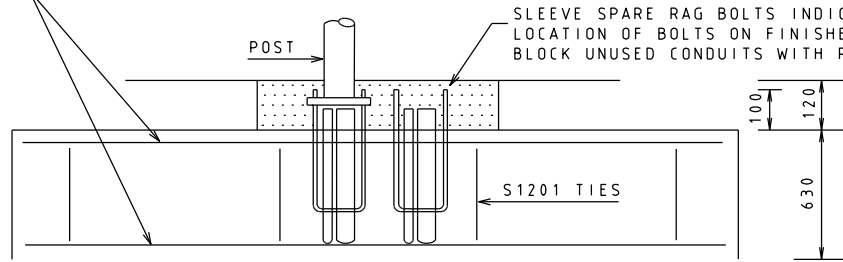
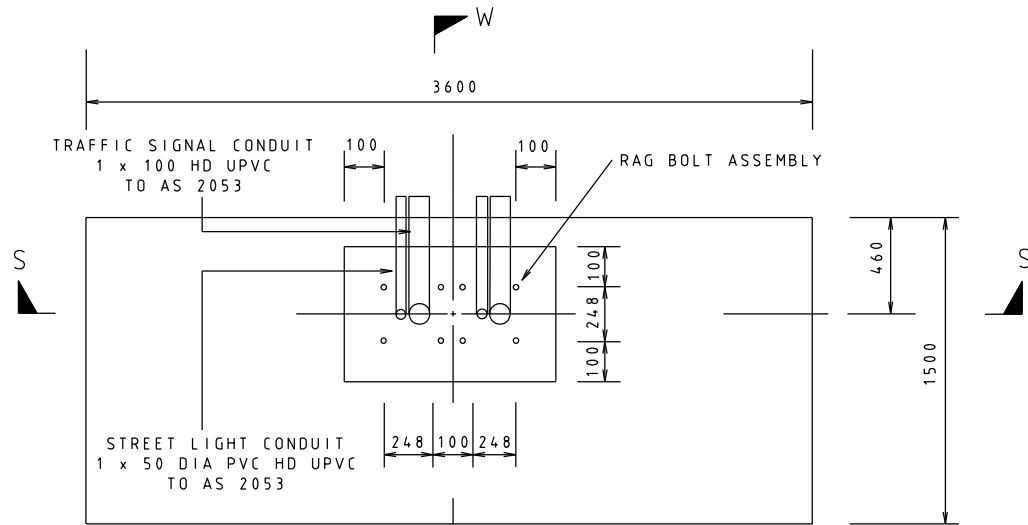


F 1018 MESH
(10mm BARS PARALLEL TO LONG SIDE
DO NOT SPLICE MESH IN BOTTOM LAYER)

—PACK WITH 3:1 SAND CEMENT MORTAR



SECTION S-S

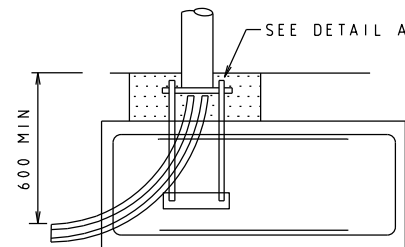


DIRECTION OF MAST ARM
AND/OR STREET LIGHTING BRACKET

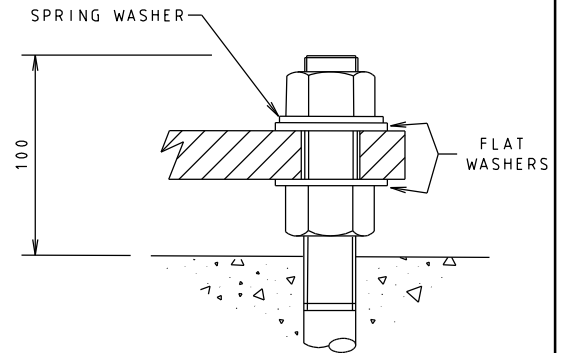
PLAN

NOTES:

1. FOUNDATION
 - A. THIS FOUNDATION IS SUITABLE FOR ALL SOIL TYPES AND ALL JOINT USE POLES AND MAST ARM TYPES.
 - B. ALL EXCAVATION SHALL BE FREE FROM LOOSE MATERIAL OR WATER AT THE TIME OF PLACING THE CONCRETE.
2. CONCRETE
 - A. CONCRETE STRENGTH GRADE SHALL BE N32 TO THE REQUIREMENTS OF AS-1379 - "SPECIFICATION AND SUPPLY OF CONCRETE."
 - B. EXPOSED EDGES OF FOOTING SHALL HAVE 25mm x 25mm FILLETS OR CHAMFERS.
 - C. CLEAR COVER TO REINFORCEMENT SHALL NOT BE LESS THAN 50mm.
 - D. CALCULATED VOLUME OF CONCRETE IS 35m³.
 - E. CONCRETE MUST BE VIBRATED WHEN PLACED.
3. REINFORCEMENT GRADE
 - A. STRUCTURAL REINFORCEMENT: 12mm DIA. AS 1302 GRADE 250 S.
 - B. MESH SHALL BE TO AS 1304
4. RAG BOLTS
 - A. ALL BOLTS TO BE HIGH STRENGTH STEEL.
 - B. HIGH STRENGTH BOLTS (24mm DIA) WITH ALL ASSOCIATED NUTS AND WASHERS. TO BE IN ACCORDANCE WITH AS 1252.
 - C. ALL BOLTS TO BE GALVANISED.

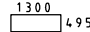



SECTION W - W



DETAIL A
FROM TC-1200

REINFORCEMENT SCHEDULE - SPREAD FOOTING

BAR MARK	GRADE	DIAMETER	SHAPE	No.
S1201	STRUCTURAL	12		4
F1018				2 SHEETS

AMEND.	APP'D	DATE	AMENDMENT
A	S.P.	04/03/13	Conduit Depth Increased

GENERAL NOTES/CROSS REFERENCES
UNSPECIFIED DIMENSIONS ARE IN mm
1. REFER TO TC-1601 FOR RAG BOLT ASSEMBLY

INTELLIGENT
TRANSPORT
SYSTEMS

60 DENMARK STREET
KEW,
VICTORIA, 3101
PHONE (03) 9854 2111
FAX (03) 9854 2319

CHECKED

APPROVED
T.S.O. MANAGER

CAT:
PROJ:
FILE:



SCALE OF METRES
HOR: NOT TO SCALE
VER:

STANDARD DRAWING					
SPREAD FOOTING					
FILE NO.	SPEC. REF.	SHEET NO.	DRAWING NO.	AMEND.	
			TC-1202	A	