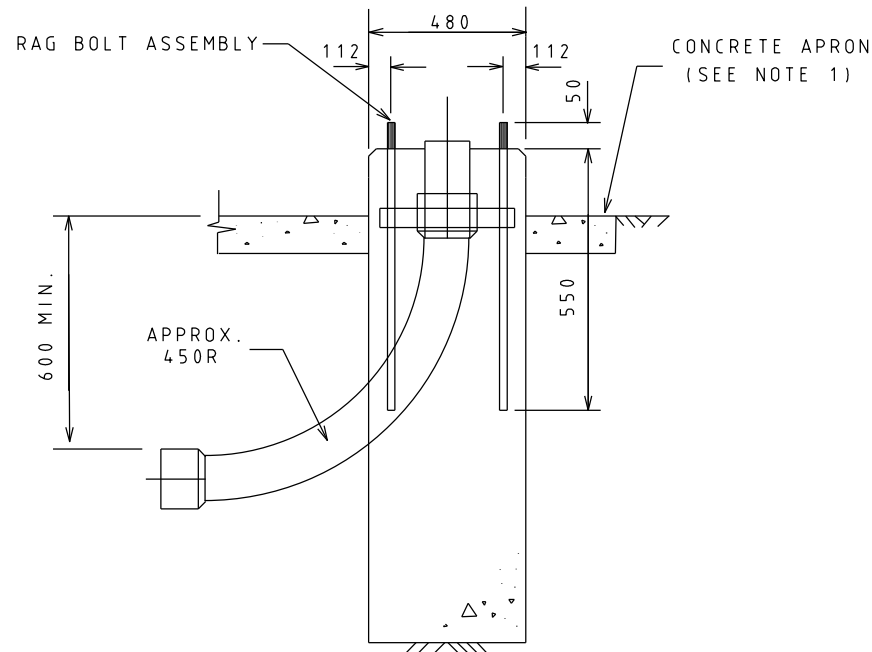


SECTION B-B

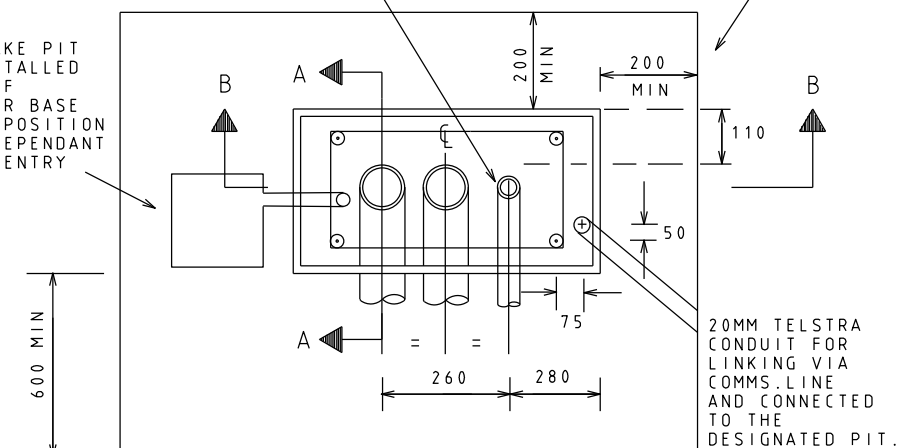


SECTION A-A

SUPPLY AUTHORITIES MAINS ENTRY.
DIRECTED TO POINT OF SUPPLY

EDGE OF CONCRETE APRON
(SEE NOTES 1 & 2)

EARTH STAKE PIT
TO BE INSTALLED
AT SIDE OF
CONTROLLER BASE
IN APRON POSITION
WILL BE DEPENDANT
ON MAINS ENTRY



FRONT OF CABINET
(DOOR)

NOTES

1. IN UNSEALED AREAS, A COURTESY APRON SHALL BE PROVIDED, CONSISTING OF 80 mm THICK CONCRETE, EXTENDING 200mm AROUND THE FOOTING, EXCEPT IN FRONT OF THE DOOR WHERE THE APRON SHALL BE 600mm WIDE.
2. CONCRETE STRENGTH GRADE SHALL BE N32 TO THE REQUIREMENTS OF AS-1379 - "SPECIFICATION AND SUPPLY OF CONCRETE".
3. THREADED PORTION OF RAG BOLTS TO BE COATED WITH GRAPHITE GREASE OR SIMILAR AND PROTECTED FROM DAMAGE DURING ASSEMBLY.
4. 20mm SHALL PROTRUDE 50mm ABOVE THE CONCRETE FOOTING. CONDUIT AND BEND SHALL COMPLY WITH ACMA REGULATIONS.
5. A CLEARANCE OF 1000mm MUST BE MAINTAINED IN FRONT OF THE CABINET.
6. FOUNDATION TO BE MINIMUM CLEARANCE OF 500mm TO BACK OF KERB AND 200mm FROM BUILDING LINES, POLES etc.

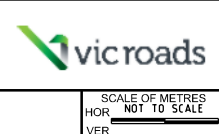
CONDUIT SPECIFICATION (TO AS 2053)

- E100 = ELECTRICAL (ORANGE) HEAVY DUTY CONDUIT 100 dia.
- E50 = ELECTRICAL (ORANGE) HEAVY DUTY CONDUIT 50 dia.
- C20 = COMMUNICATION (WHITE) TELSTRA CONDUIT 26.8mm OD
- E20 = ELECTRICAL (ORANGE) HEAVY DUTY CONDUIT 20 dia.

AMEND.	APP'D	DATE	AMENDMENT
C	SP	04/03/13	CONDUIT DEPTH INCREASED
B	SB	23.4.10	OUTER DIMENSIONS INCREASED
A	SP	27.2.08	COMMS CONDUIT CHANGED TO TELSTRA 20MM

GENERAL NOTES/CROSS REFERENCES
UNSPECIFIED DIMENSIONS ARE IN mm
1. TC-1603 RAG BOLT ASS'Y FOR CABINET.

INTELLIGENT TRANSPORT SYSTEMS	CHECKED L.FRENCH 13.10.00
60 DENMARK STREET KEW, VICTORIA, 3101 PHONE (03) 9854 2111 FAX (03) 9854 2319	APPROVED B.HEARN 13.10.00
CAT:	SCALE OF METRES
PROJ:	HOR. NOT TO SCALE
FILE:	VER.



STANDARD DRAWING				
CONTROLLER FOUNDATION DETAILS				
FILE NO.	SPEC. REF.	SHEET NO.	DRAWING NO.	AMEND.
			TC-1203	C