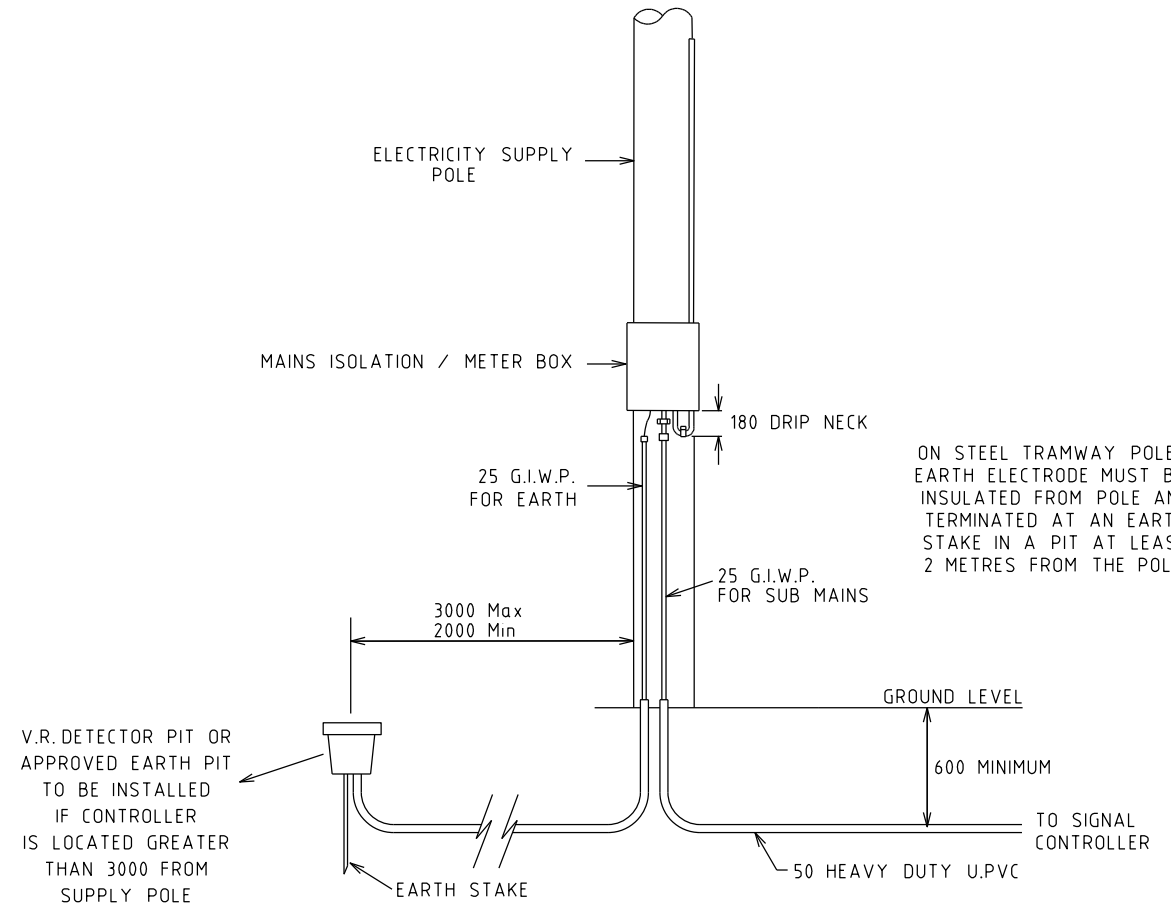


**NOTES**

1. WHEN INSTALLED ON A STEEL POLE, METER BOX, CONSUMER MAINS AND ALL ASSOCIATED BRACKETS SHOULD BE INSULATED FROM POLE.
2. WHEN INSTALLED ON A CONCRETE POLE, METER BOX, CONSUMER MAINS AND ALL ASSOCIATED BRACKETS TO BE ATTACHED USING STEEL STRAPS OR OTHER APPROVED METHOD.
3. METER BOX TO BE ATTACHED TO SUPPLY POLE BY APPROVED METHOD.



AMEND.	APP'D	DATE	AMENDMENT
A	S.P.	04/03/13	Conduit Depth Increased

GENERAL NOTES/CROSS REFERENCES  
UNSPECIFIED DIMENSIONS ARE IN mm

INTELLIGENT TRANSPORT SYSTEMS  
60 DENMARK STREET  
KEW,  
VICTORIA, 3101  
PHONE (03) 9854 2111  
FAX (03) 9854 2319

CHECKED  
APPROVED  
T.S.O. MANAGER

CAT:  
PROJ:  
FILE:

STANDARD DRAWING  
**ASSEMBLY AND INSTALLATION OF  
CONSUMER MAINS AND CONNECTION**

SCALE OF METRES  
HOR: NOT TO SCALE  
VER:

FILE NO. SPEC. REF. SHEET NO. DRAWING NO. AMEND.  
TC-1206 A

