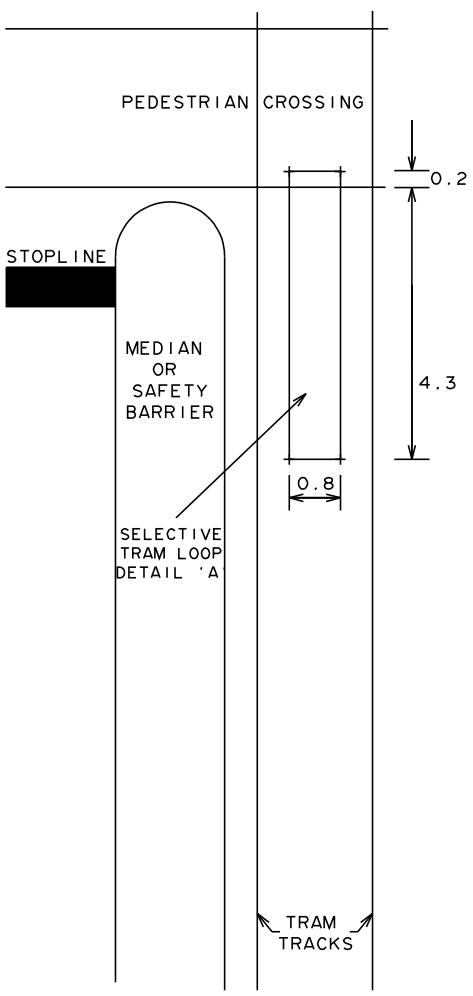
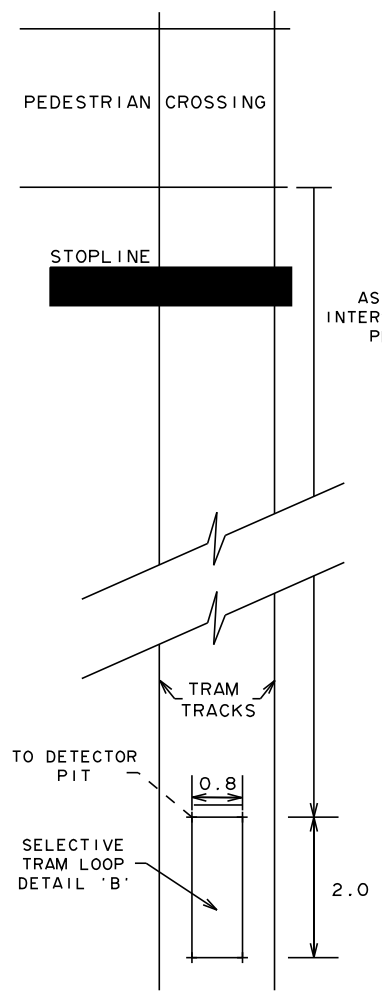


TYPE 1.
SHARED TRAM LANE - STOPLINE

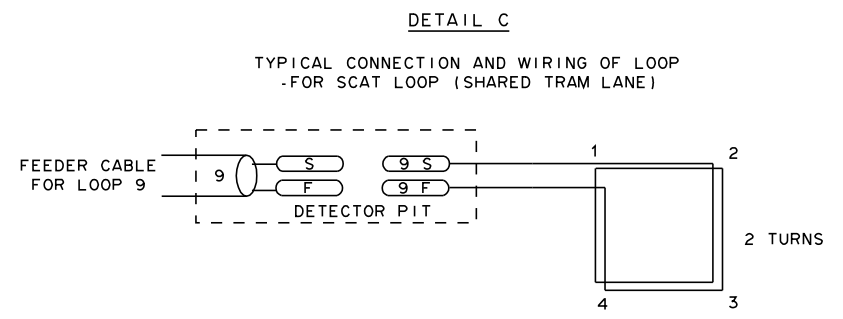
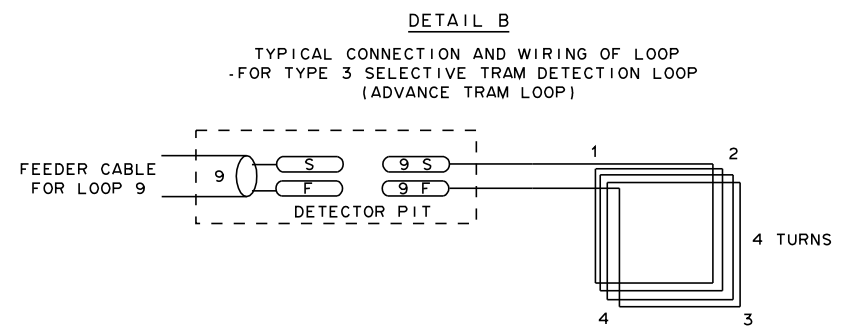
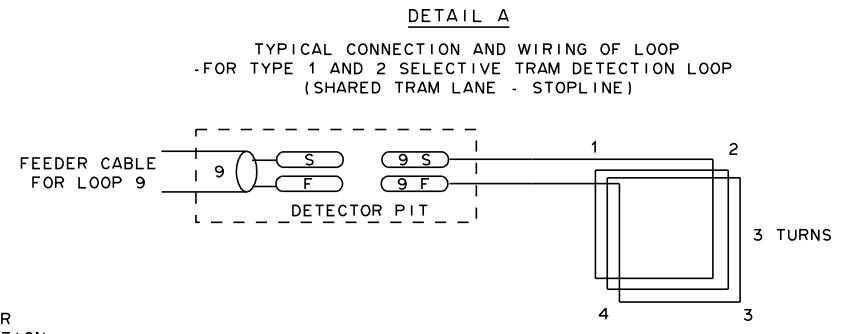


TYPE 2.
EXCLUSIVE TRAM LANE - STOPLINE



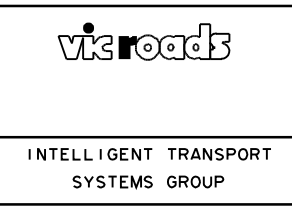
TYPE 3.
ADVANCE TRAM LOOP

AS PER
INTERSECTION
PLAN



E			
D			
C			
B			
A	S.B.	29/3/05	Remove diagonal cut from corner of loop slot
AMEND.	Appd.	DATE	AMENDMENTS

GENERAL NOTES / CROSS REFERENCES
UNSPECIFIED DIMENSIONS ARE IN mm.



STANDARD DRAWING VEHICLE AND TRAM DETECTOR LOOPS ALONG SHARED AND EXCLUSIVE TRAM LINES										
INTELLIGENT TRANSPORT SYSTEMS GROUP	CHECKED DATE L.FRENCH 13.10.00	APPROVED DATE B.HEARN 13.10.00 MANAGER ITS	SPEC.REF.	SHEET No.	DRAWING No. TC-1301	AMENDMENT A				