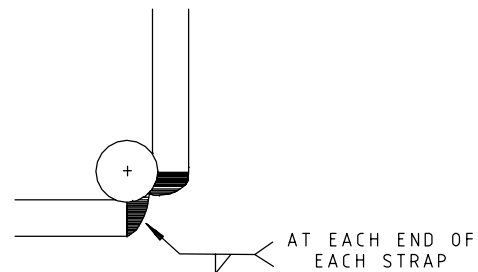
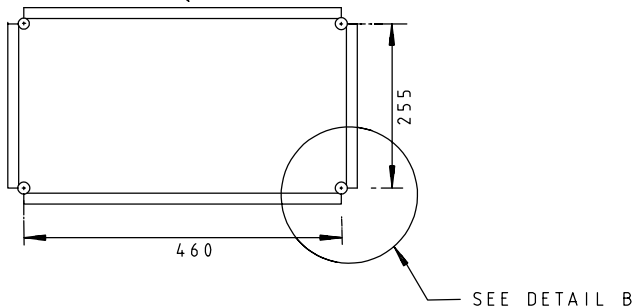


M12 COARSE THREAD BOLTS EACH ASSEMBLED WITH 2 NUTS,
2 FLAT WASHERS AND ONE SPRING WASHER ALL ZINC PLATED
OR GALVANISED

4 No. 12mm RAG
BOLTS, 600 LONG

4 No. 6X32 BLACK STEEL STRAP
WELDED TO RAG BOLTS.



DETAIL B

THIS DRAWING SUPERSEDES DRG. No 41798 (IN PART)



TRAFFIC AND ROAD USE
MANAGEMENT DEPARTMENT

STANDARD DRAWING

RAG BOLT ASSEMBLY FOR CABINET

M12 600X460X255

TRAFFIC SYSTEM OPERATION

CHECKED	DATE	APPROVED	DATE	SPEC. REF.	SHEET No.	DRAWING No.	AMENDMENT
J. RANDALL	21/12/95	B. HEARN	21/12/95			TC-1603	A
		T.S.O. MANAGER					

GENERAL NOTES / CROSS REFERENCES
UNSPECIFIED DIMENSIONS ARE IN mm.

AMEND.	Appd.	Date	AMENDMENTS
A	JR	22/8/96	DETAIL B AMENDED
E			
D			
C			
B			