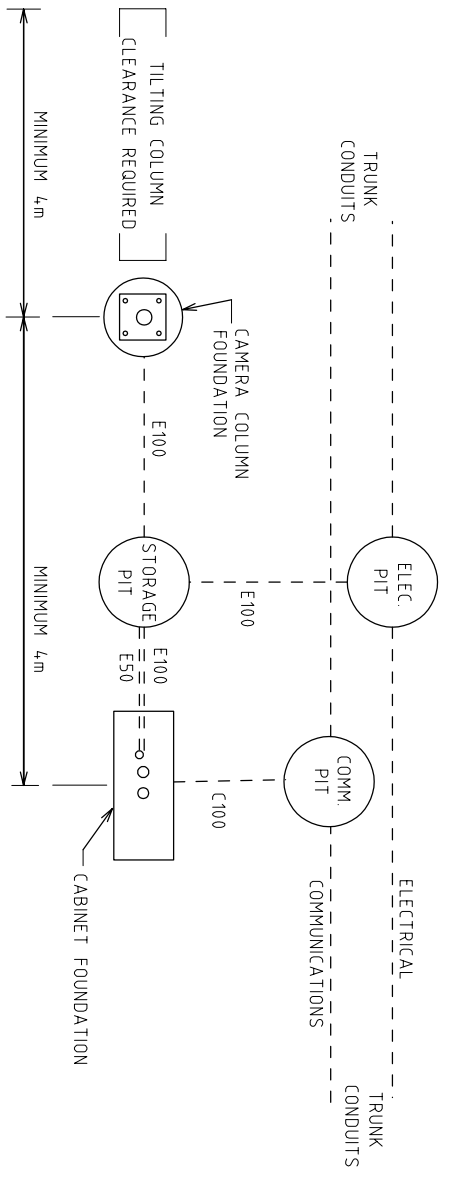


ROADWAY
BACK OF KERB



- NOTES:**
- CAMERA SHALL BE LOCATED TO OPTIMISE ITS RANGE AND COVERAGE, GENERALLY BY MAXIMISING ITS ELEVATION
 - CAMERA COLUMN TO TILT TOWARDS CONTROL CABINET
 - LAYOUT SUBJECT TO VARIATION TO SUIT SITE CONDITIONS

LEGEND:

- E = CABLE PIT (ELECTRICAL)
- C = CABLE PIT (COMMUNICATION)
- CONDUIT SPECIFICATION (TO AS 2053)
- E100 = ELECTRICAL (ORANGE) HEAVY DUTY CONDUIT 100mm DIAMETER
- E50 = ELECTRICAL (ORANGE) HEAVY DUTY CONDUIT 50mm DIAMETER
- C100 = COMMUNICATION (WHITE) HEAVY DUTY CONDUIT 100mm DIAMETER
- C50 = COMMUNICATION (WHITE) HEAVY DUTY CONDUIT 50mm DIAMETER

E			
D			
C			
B	KW	6/5/2004	DROP - INCIDENT DETECTION - FROM TITLE
A	JR	06/97	DRAWING AMENDED
AMEND.	App'd.	DATE	AMENDMENTS

GENERAL NOTES / CROSS REFERENCES
 UNSPECIFIED DIMENSIONS ARE IN mm.
 TC-1230 CABLE PIT - INSTALLATION DETAILS
 TC-1233 CAMERA COLUMN - BORED PILE FOUNDATION
 TC-2013 - INSTALLATION DETAILS
 TC-2002 CABINET - INSTALLATION DETAILS

visireports
 TRAFFIC AND TRANSPORT
 INTELLIGENT TRANSPORT
 SYSTEMS GROUP

STANDARD DRAWING		FREEWAY CAMERA SITE		TYPICAL LAYOUT	
CHECKED	DATE	APPROVED	DATE	SPEC. REF.	SHEET No.
J. RANDALL	21/12/95	B. HEARN	21/12/95		
MANAGER ITS					
				DRAWING No.	AMENDMENT
				TC-2011	B