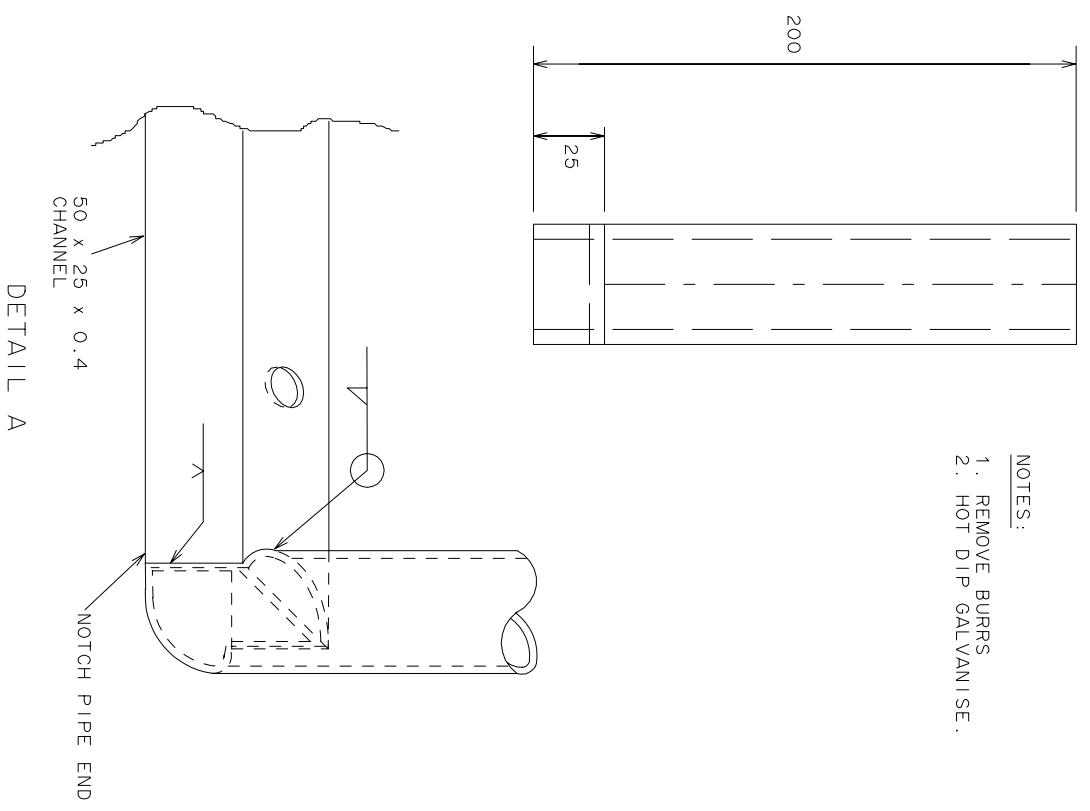
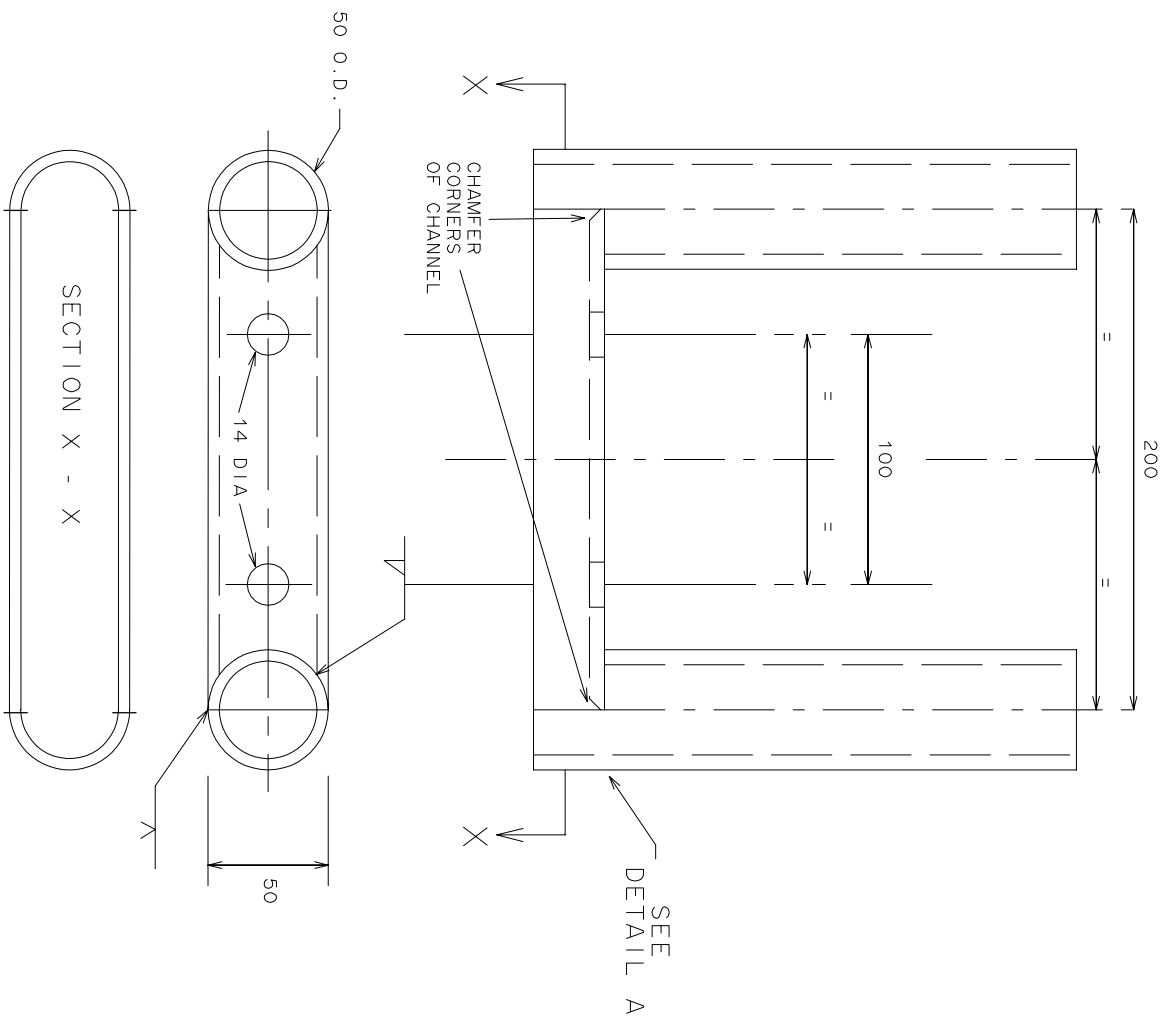


E	
D	
C	
B	
A	
AMEND.	Appd.
	DATE
AMENDMENTS	



- NOTES:
1. REMOVE BURRS
 2. HOT DIP GALVANISE.

GENERAL NOTES / CROSS REFERENCES
UNSPECIFIED DIMENSIONS ARE IN mm.

Vicroads
TRAFFIC AND ROAD USE
MANAGEMENT DEPARTMENT

TRAFFIC SYSTEM OPERATION

STANDARD DRAWING							
HELP PHONE - DOUBLE SUPPORT FOR MEDIAN BARRIER INSTALLATION							
CHECKED	DATE	APPROVED	DATE	SPEC. REF.	SHEET No.	DRAWING No.	AMENDMENT
		T.S.O. MANAGER				TC-2028	