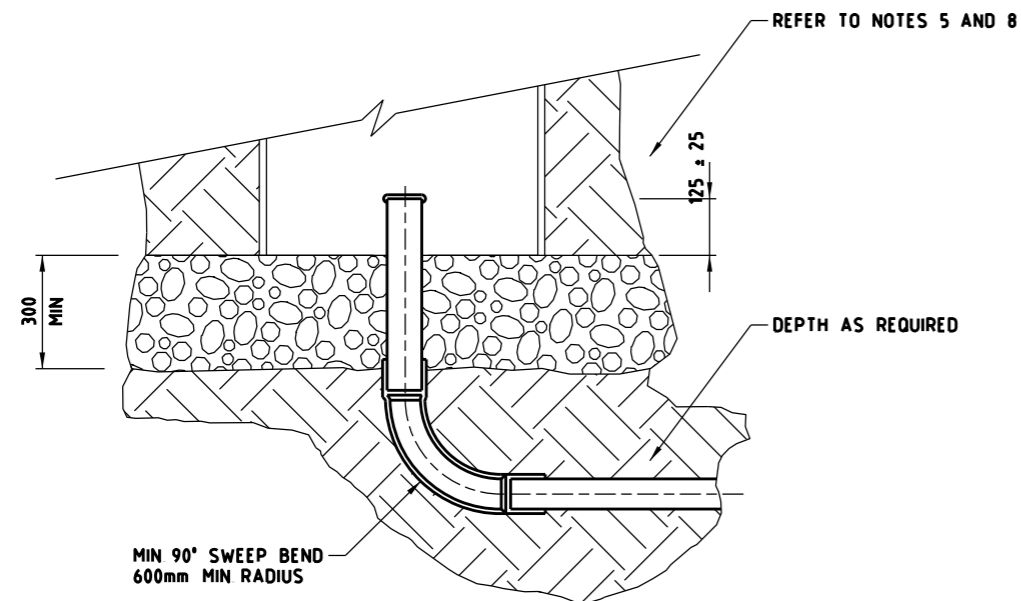


TYPICAL SIDE ENTRY

SECTION B



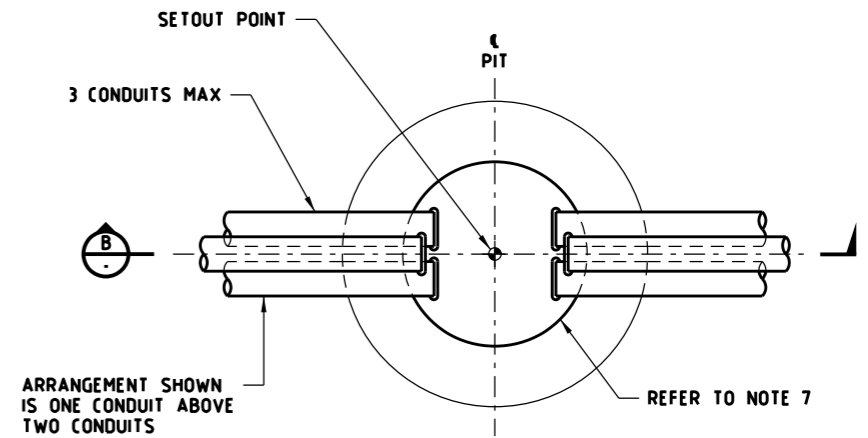
TYPICAL BASE ENTRY

NOTES

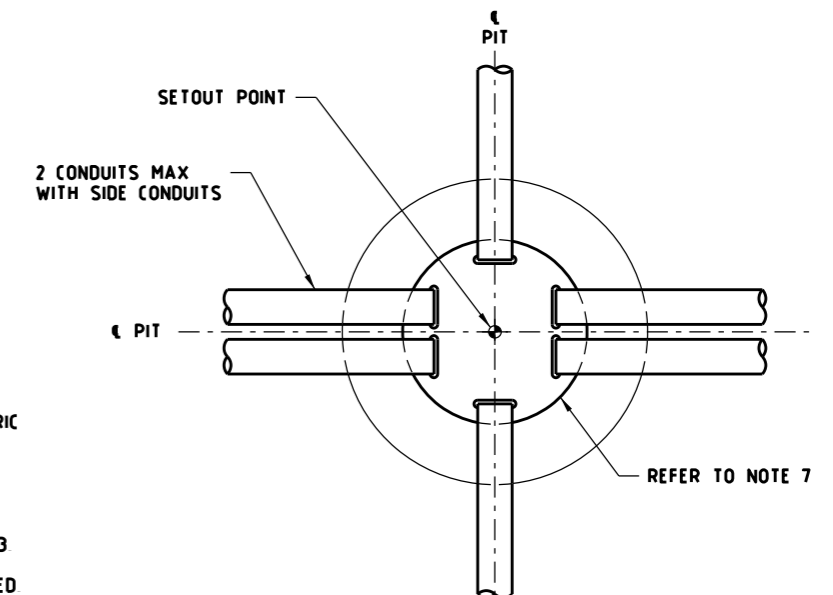
- 1 DIMENSIONS SHOWN ARE IN MILLIMETERS, U N O
- 2 AVOID DISTORTION DURING COMPACTION SUCH THAT THE MINIMUM DIAMETRIC DIMENSION EXCEEDS 580mm
- 3 ENDS OF CONDUITS TO BE TRIMMED NEATLY AND FREE FROM SHARP EDGES OR BURRS WITH CONDUIT BUSHES
- 4 THIS DRAWING TO BE USED IN CONJUNCTION WITH STANDARD SECTION 733
- 5 BASE ENTRY TO BE USED ONLY WHERE DEEP CONDUIT RUNS ARE REQUIRED
- 6 MAXIMUM OF 6 X 100mm CONDUITS PER PIT WHERE ROAD CROSSING CONDUITS ARE REQUIRED, MAXIMUM OF 2 CONDUITS TO ENTER BASE
- 7 REFER TO STANDARD DRAWINGS TC-2216 - CABLE PIT FORMER AND TC-2217 CABLE PIT ACCESS COVER, FRAME AND PRECAST CONCRETE SURROUND
- 8 BASE ENTRY CONDUITS MUST BE APPROPRIATELY SEALED WITH DUCT TAPE AT ALL TIMES UNTIL REQUIRED FOR CABLING
- 9 CABLE PIT SHOWN IS A 600mm PIT WITH A 610mm COVER
- 10 ALL CONDUITS ENTRY AND EXIT POINTS INTO PIT WALLS TO BE SEALED WITH CEMENT MORTAR TO PROVIDE WATERTIGHT SEAL
- 11 APPROPRIATE LABELLING PLATES SHALL BE PERMANENTLY FIXED TO THE CONCRETE SURROUND INDICATING THE TYPE AND DIRECTION OF EACH CONDUIT ROUTE
- 12 REINFORCEMENT RINGS 750 DIA AND 900 DIA WIRE WITH EIGHT LIGATURE

MATERIALS REQUIRED PER PIT

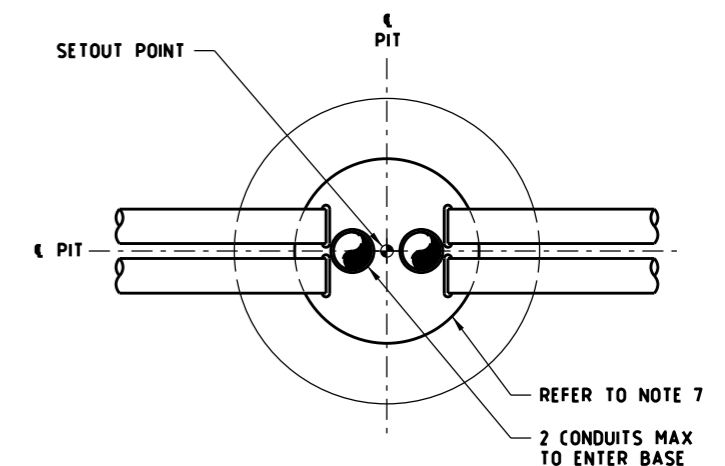
- CABLE PIT FORMER
- ACCESS COVER AND FRAME, WITH COVER SUITABLY INSCRIBED AS PER SPECIFICATION
- HEAVY DUTY ORANGE OR WHITE CONDUIT AS REQUIRED
- REINFORCEMENT RINGS, 750 dia AND 900 dia WIRE WITH EIGHT LIGATURE
- CONDUIT JOINTING CEMENT, CRUSHED ROCK, CONCRETE, MORTAR ETC AS REQUIRED



TYPICAL SIDE ENTRY CONFIGURATION 1



TYPICAL SIDE ENTRY CONFIGURATION 2

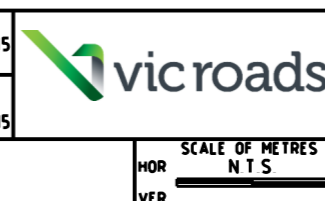


TYPICAL ROAD CROSSING CONFIGURATION

E			
D			
C			
B			
A	W H	12/2018	REVISION OF DETAIL
ISSUE	APP'D	DATE	AMENDMENT

GENERAL NOTES	
---------------	--

DESIGNED	M80 UPGRADE	07/2015
APPROVED	W HARVEY - MANAGER ITS INFRASTRUCTURE & SYSTEM 08/2015	
CAT.	SCALE OF METRES N T S	
PROJ.	HOR	VER
FILE		



STANDARD DRAWING MANAGED MOTORWAY				
PIT AND CONDUIT ARRANGEMENTS 600mm ROUND ELECTRICAL CABLE PIT				
FILE NO	CONTRACT NO	SHEET NO	DRAWING NO	ISSUE
			TC-2200	A