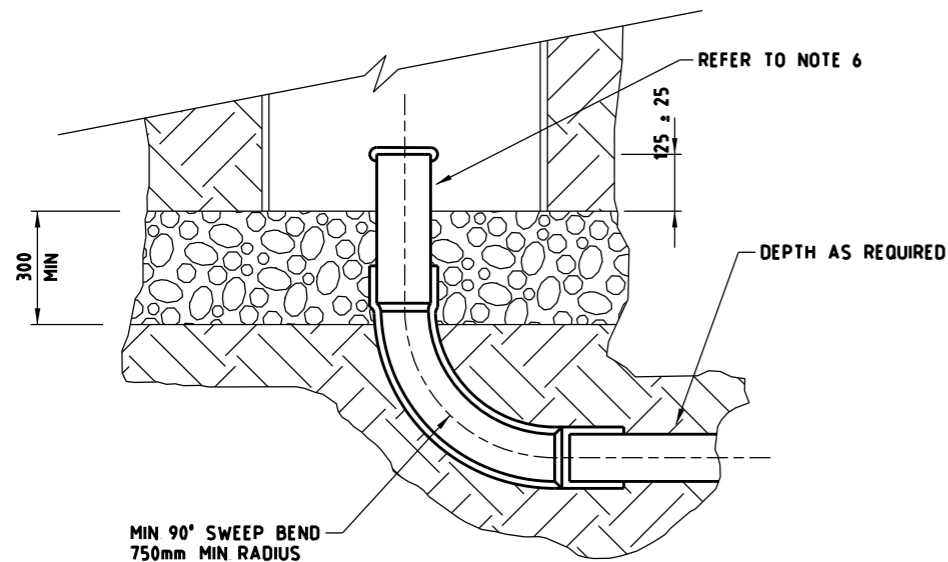
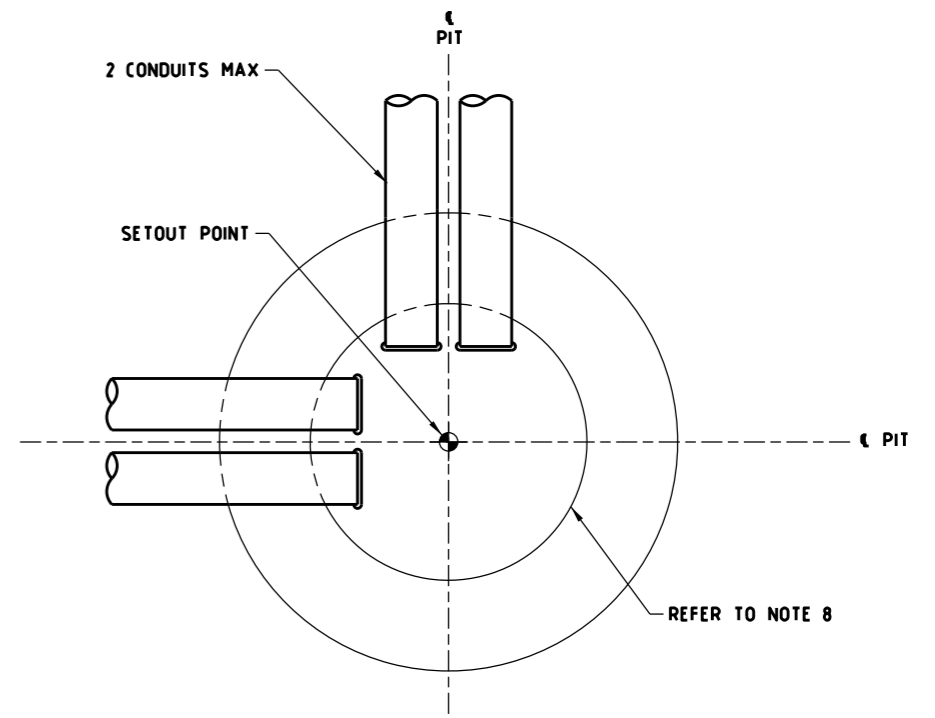


TYPICAL SIDE ENTRY CONFIGURATION

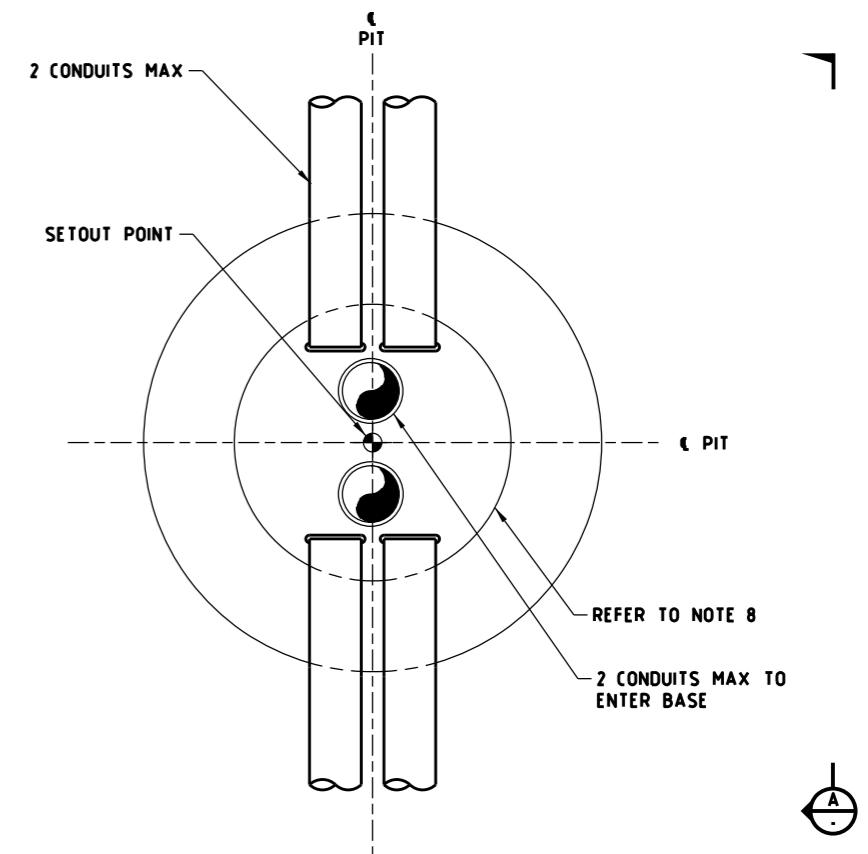
SECTION A



TYPICAL BASE ENTRY



TYPICAL SIDE ENTRY CONFIGURATION



TYPICAL SIDE AND BASE ENTRY CONFIGURATION

NOTES:

- 1 DIMENSIONS SHOWN ARE IN MILLIMETERS, UNO
- 2 CABLE PIT SHOWN IS A 750mm PIT WITH A 610mm COVER
- 3 AVOID DISTORTION DURING COMPACTION SUCH THAT THE MINIMUM DIAMETRIC DIMENSION EXCEEDS 725mm
- 4 ENDS OF CONDUITS TO BE TRIMMED NEATLY AND FREE FROM SHARP EDGES OR BURRS AND SHALL BE FITTED WITH CONDUIT BUSHES
- 5 THIS DRAWING TO BE USED IN CONJUNCTION WITH STANDARD SECTION 733
- 6 BASE ENTRY TO BE USED ONLY WHERE DEEP CONDUIT RUNS ARE REQUIRED
- 7 MAXIMUM OF 6 X 100mm CONDUITS PER PIT WHERE ROAD CROSSING CONDUITS ARE REQUIRED, MAXIMUM OF 2 CONDUITS TO ENTER BASE
- 8 REFER TO STANDARD DRAWINGS TC-2216 - CABLE PIT FORMER AND TC-2217 CABLE PIT ACCESS COVER, FRAME AND PRECAST CONCRETE SURROUND
- 9 BASE ENTRY CONDUITS MUST BE APPROPRIATELY SEALED WITH DUCT TAPE AT ALL TIMES UNTIL REQUIRED FOR CABLING
- 10 ALL CONDUITS ENTRY AND EXIT POINTS INTO PIT WALLS TO BE SEALED WITH CEMENT MORTAR TO PROVIDE WATERTIGHT SEAL
- 11 APPROPRIATE LABELLING PLATES SHALL BE PERMANENTLY FIXED TO THE CONCRETE SURROUND INDICATING THE TYPE AND DIRECTION OF EACH CONDUIT ROUTE
- 12 REINFORCEMENT RINGS 750 DIA AND 900 DIA WIRE WITH EIGHT LIGATURE

MATERIALS REQUIRED PER PIT

- CABLE PIT FORMER
- ACCESS COVER AND FRAME, WITH COVER SUITABLY INSCRIBED AS PER SPECIFICATION
- HEAVY DUTY WHITE CONDUIT AS REQUIRED
- REINFORCEMENT RINGS AS REQUIRED
- CONDUIT JOINTING CEMENT, CRUSHED ROCK, CONCRETE, MORTAR ETC AS REQUIRED

E			
D			
C			
B			
A	WH	12/2018	REVISION OF DETAIL
ISSUE	APP'D	DATE	AMENDMENT

GENERAL NOTES	
---------------	--

DESIGNED	M80 UPGRADE	07/2015
APPROVED	W HARVEY - MANAGER	
ITS INFRASTRUCTURE & SYSTEM 08/2015		
CAT:	SCALE OF METRES	
PROJ:	NTS	
FILE:	HOR	VER

STANDARD DRAWING				
MANAGED MOTORWAY				
PIT AND CONDUIT ARRANGEMENTS				
750mm ROUND COMMUNICATIONS JUNCTION PIT				
FILE NO	CONTRACT NO	SHEET NO	DRAWING NO	ISSUE
			TC-2202	A