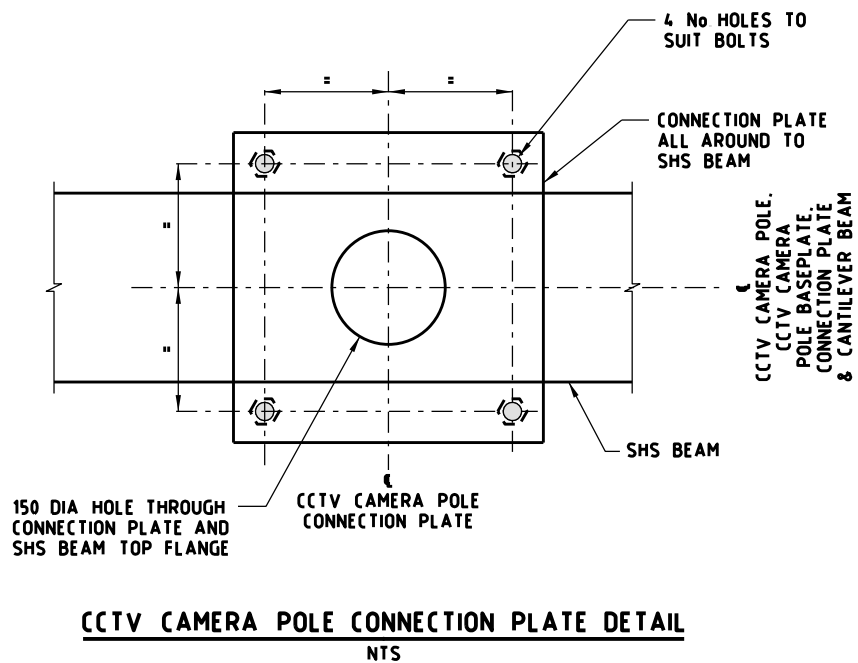
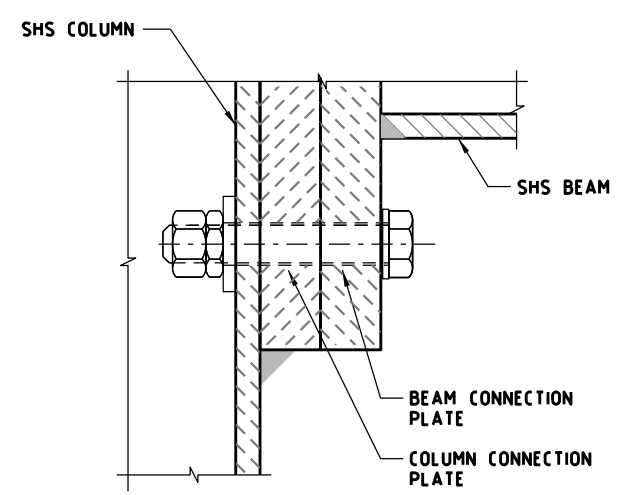


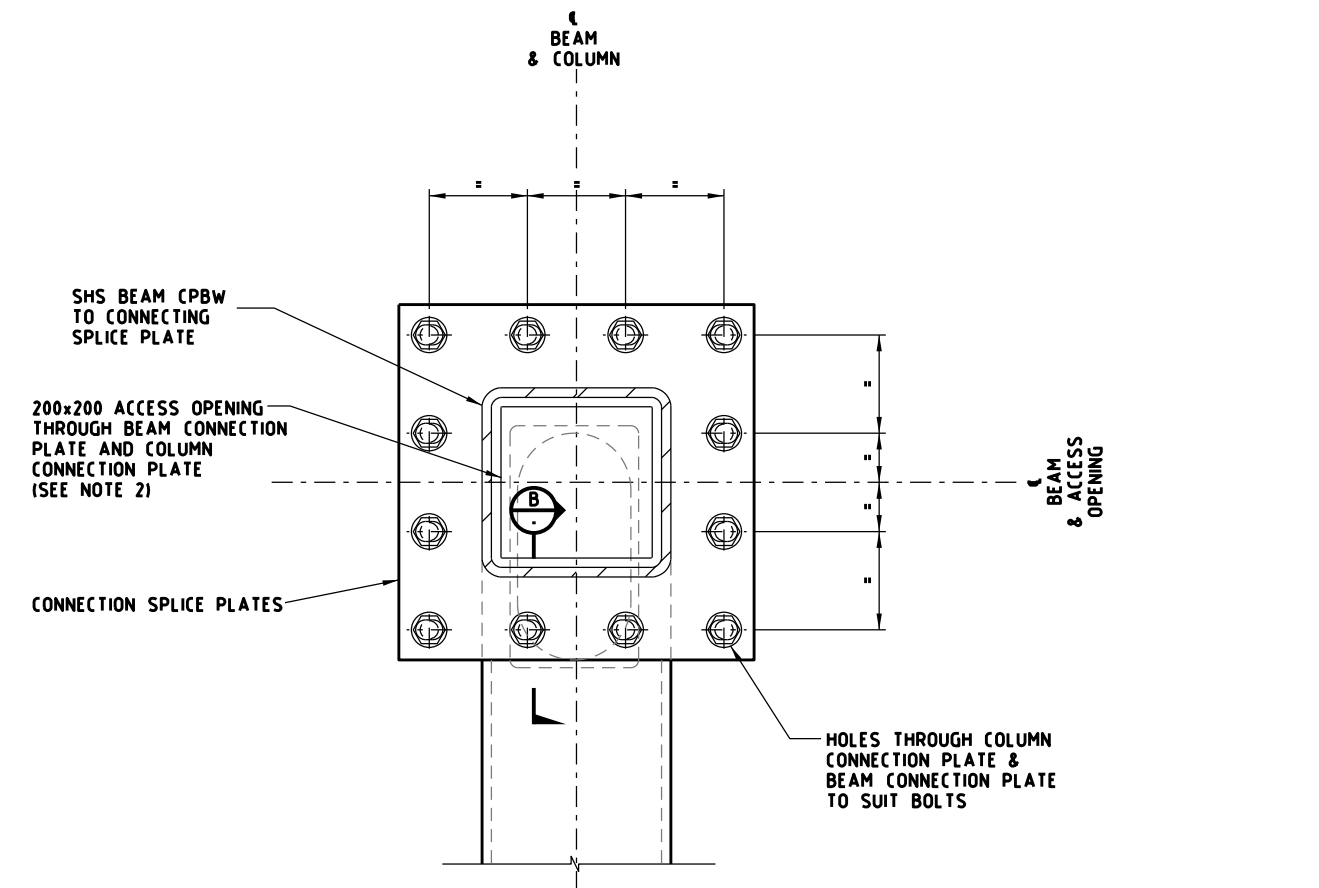
COLUMN / BEAM BOLTED CONNECTION
NTS



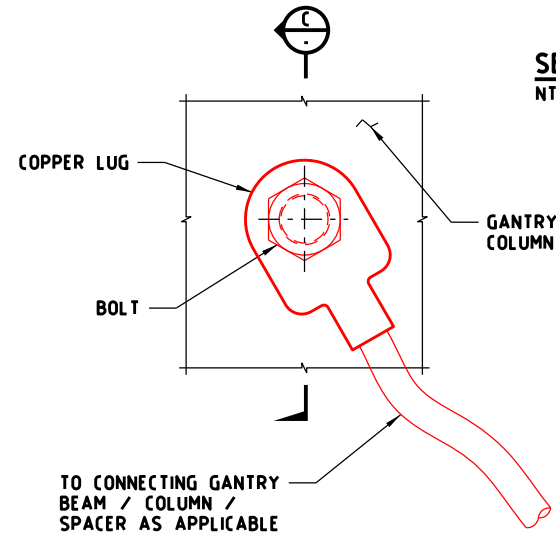
CCTV CAMERA POLE CONNECTION PLATE DETAIL
NTS



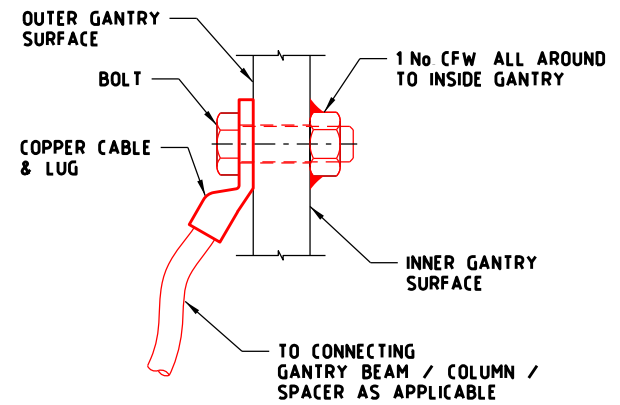
SECTION B
NTS



SECTION A
NTS



EARTHING CONNECTION DETAIL
NTS



SECTION C
NTS

NOTES

- 1 ALL OPENING EDGES TO BE DEBURRED
- 2 THE OPENING IN SECTION A NEEDS TO BE BIG ENOUGH TO ALLOW TO FASTENER/INSERT THE TWO CENTRE BOLTS ON THE LOWER ROW
- 3 STANDARD DRAWINGS SHOWN ARE INDICATIVE ONLY STRUCTURAL DETAILS SHALL BE DESIGNED BY A PRE-QUALIFIED CONSULTANT TO THE SATISFACTION OF VICROADS AND SHALL COMPLY WITH VICROADS' SPECIFICATION BRIDGE TECHNICAL NOTES (BTN'S) AND AS 5100 WHERE APPLICABLE
- 4 GANTRY COLUMN PAINT TO BE REMOVED TO PROVIDE APPROPRIATE ELECTRICAL CONTACT BETWEEN GANTRY AND EARTH CABLE LUGS ANTI-CORROSION TREATMENT TO BE APPLIED TO EARTH CONNECTION FOLLOWING FITTING BOLTS, NUTS AND LUGS TO BE RE-COATED IN SAME COLOUR AS GANTRY AFTER INSTALLATION

E				
D				
C				
B				
A	W H	12/2018	REMOVAL OF STRUCTURAL DETAIL	
ISSUE	APP'D	DATE	AMENDMENT	

GENERAL NOTES	

DESIGNED	M80 UPGRADE	07/2015
APPROVED	W HARVEY - MANAGER	
	ITS INFRASTRUCTURE & SYSTEM 08/2015	
CAT:	SCALE OF METRES	
PROJ:	NTS	
FILE:	HOR	VER



STANDARD DRAWING MANAGED MOTORWAY				
FRS LANTERN SUPPORT STRUCTURES CANTILEVER GANTRY FOR 2 LANES METERED				
SHEET 2 OF 2 - TYPICAL ARRANGEMENT				
FILE NO	CONTRACT NO	SHEET NO	DRAWING NO	ISSUE
			TC-2251	A