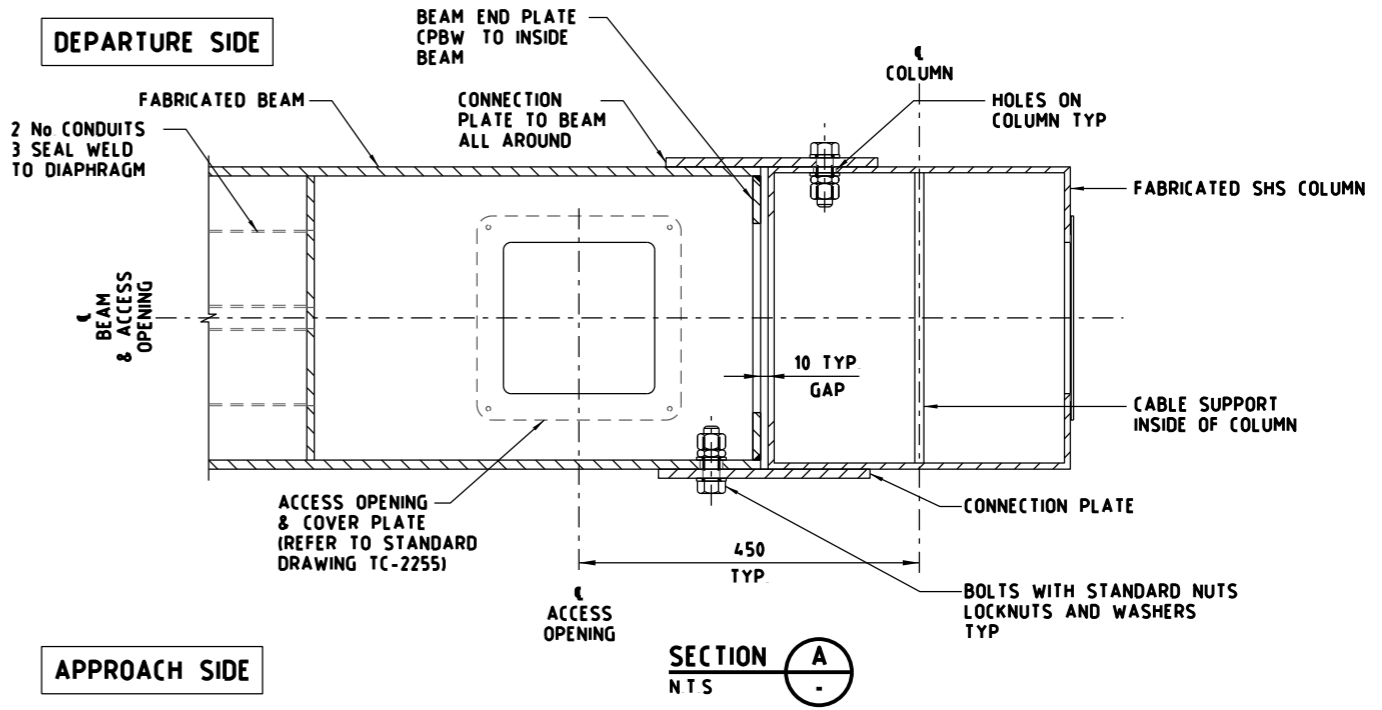
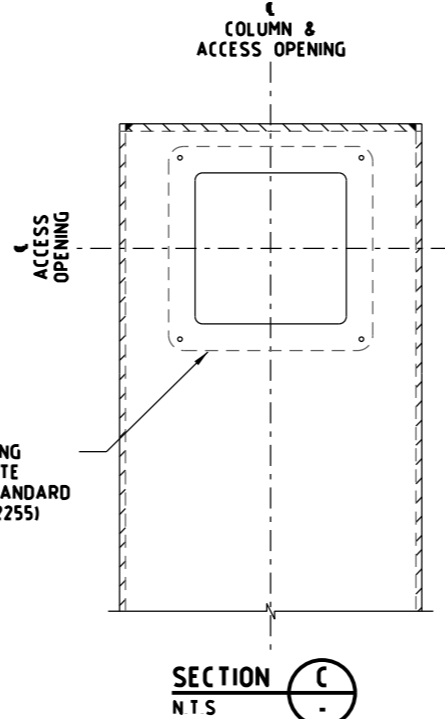
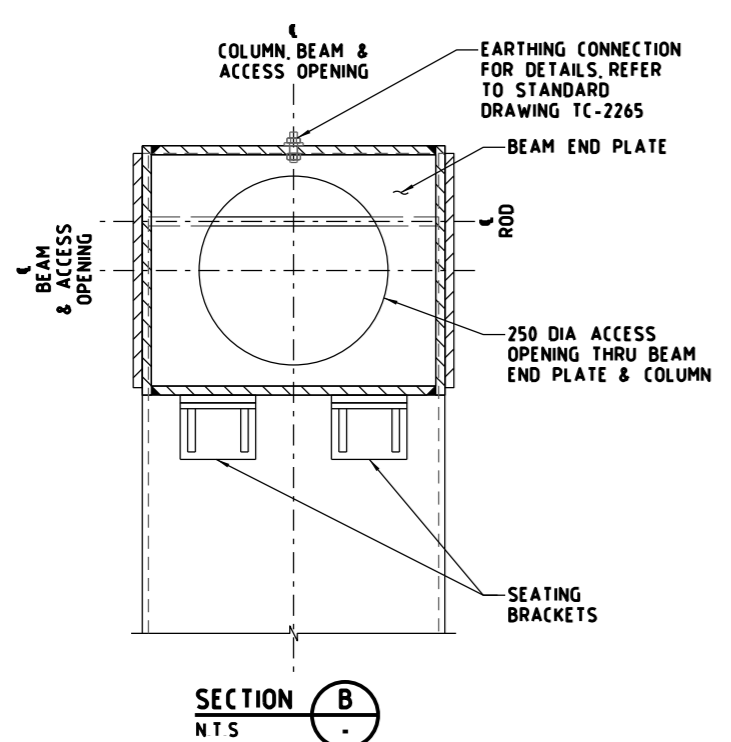
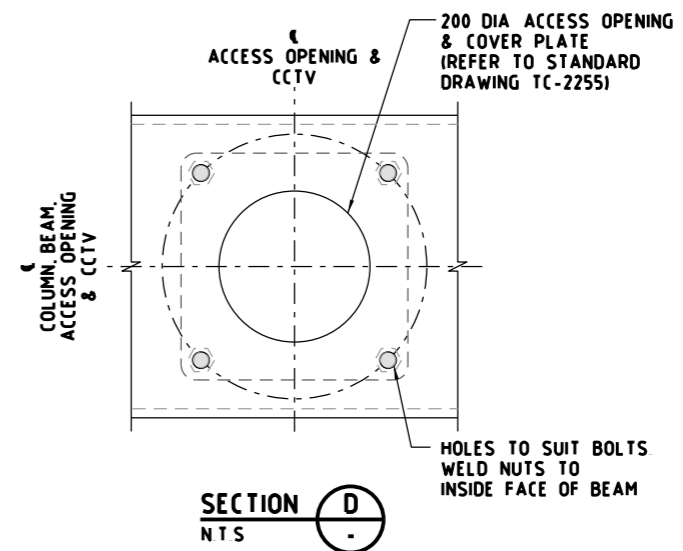


CONNECTION PLATE DETAIL
NTS



APPROACH SIDE



NOTES

- 1 ALL OPENING EDGES TO BE DEBURRED
- 2 200 DIA ACCESS OPENING COVER PLATE TO BE REMOVED PRIOR TO INSTALLATION OF CCTV CAMERA POLE (WHERE CCTV CAMERA ARE REQUIRED)
- 3 AFTER BEAM INSTALLATION, ALL GAPS BETWEEN BEAM AND COLUMN SHALL BE FILLED WITH SILICON SEALANT
- 4 STANDARD DRAWINGS SHOWN ARE INDICATIVE ONLY STRUCTURAL DETAILS SHALL BE DESIGNED BY A PRE-QUALIFIED CONSULTANT TO THE SATISFACTION OF VICROADS AND SHALL COMPLY WITH VICROADS' SPECIFICATION BRIDGE TECHNICAL NOTES (BTN'S) AND AS 5100 WHERE APPLICABLE

E				
D				
C				
B				
A	WH	12/2018	REMOVAL OF STRUCTURAL DETAIL	
ISSUE	APP'D	DATE	AMENDMENT	

GENERAL NOTES

DESIGNED M80 UPGRADE 07/2015

APPROVED W HARVEY - MANAGER
ITS INFRASTRUCTURE & SYSTEM 08/2015

CAT. PROJ. FILE

SCALE OF METRES
NTS

HOR VER

STANDARD DRAWING
MANAGED MOTORWAY

FRS LANTERN SUPPORT STRUCTURES
PORTAL GANTRY FOR 3 OR MORE LANES METERED
SHEET 2 OF 3 - TYPICAL ARRANGEMENT

FILE NO CONTRACT NO SHEET NO DRAWING NO ISSUE
TC-2253 A