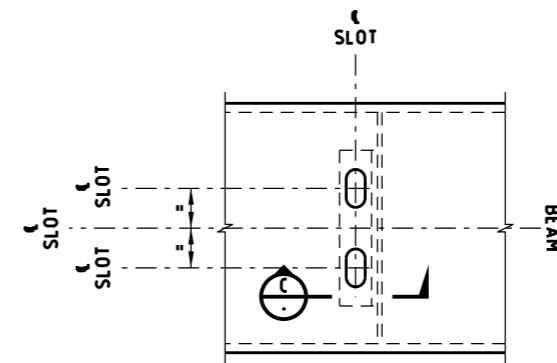
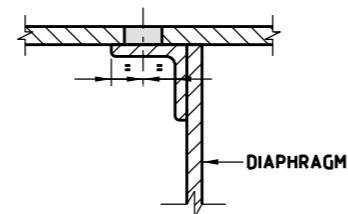


VIEW A
NTS



VIEW B
NTS



SECTION C
NTS


NOTES:

- STANDARD DRAWINGS SHOWN ARE INDICATIVE ONLY STRUCTURAL DETAILS SHALL BE DESIGNED BY A PRE-QUALIFIED CONSULTANT TO THE SATISFACTION OF VICROADS AND SHALL COMPLY WITH VICROADS' SPECIFICATION BRIDGE TECHNICAL NOTES (BTN'S) AND AS 5100 WHERE APPLICABLE.

E			
D			
C			
B			
A	W H	12/2018	REMOVAL OF STRUCTURAL DETAIL
ISSUE	APP'D	DATE	AMENDMENT

GENERAL NOTES

DESIGNED	M80 UPGRADE	07/2015
APPROVED	W HARVEY - MANAGER	
	ITS INFRASTRUCTURE & SYSTEM 08/2015	
CAT:		SCALE OF METRES
PROJ:		NTS
FILE:		HOR VER



STANDARD DRAWING MANAGED MOTORWAY				
FRS LANTERN SUPPORT STRUCTURES PORTAL GANTRY FOR 3 OR MORE LANES METERED SHEET 3 OF 3 - TYPICAL ARRANGEMENT				
FILE NO	CONTRACT NO	SHEET NO	DRAWING NO	ISSUE
			TC-2254	A