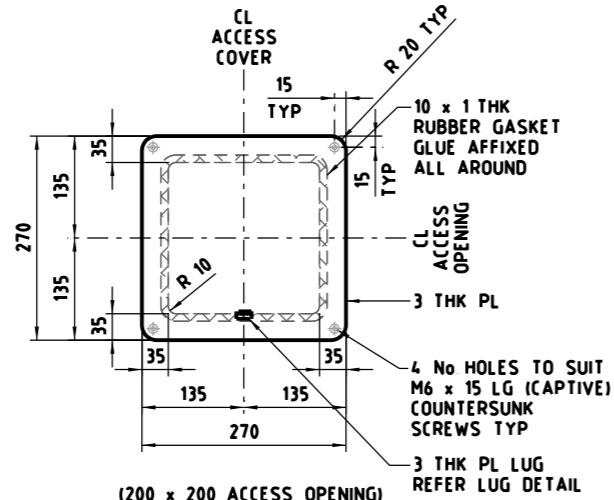
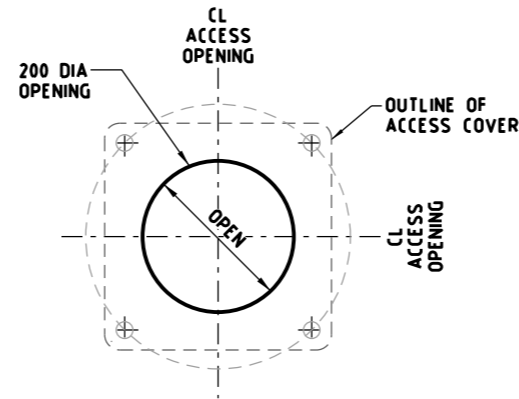


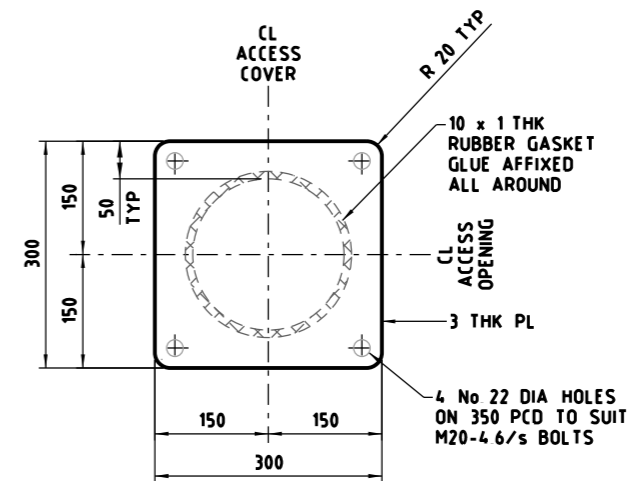
**200 x 200 ACCESS OPENING**  
NTS



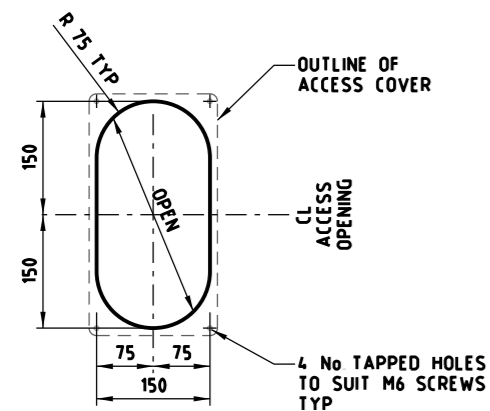
**270 x 270 ACCESS COVER**  
NTS



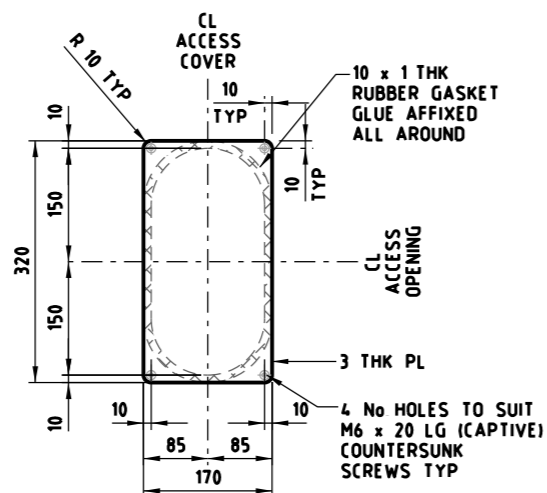
**200 DIA ACCESS OPENING**  
NTS



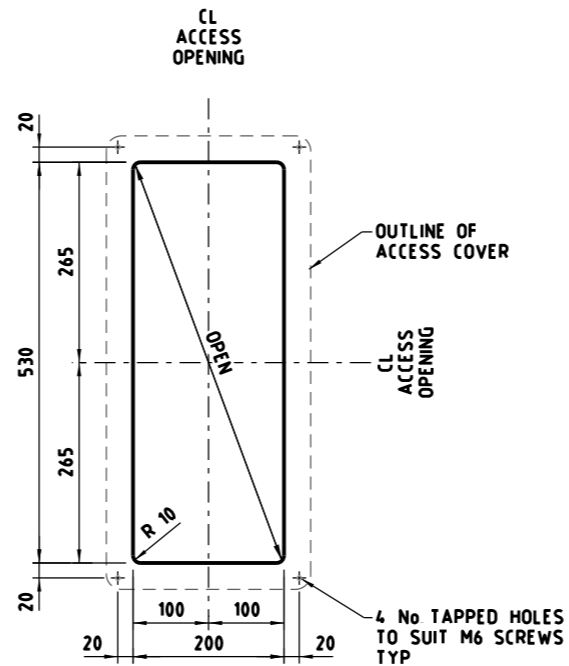
**300 x 300 ACCESS COVER**  
NTS



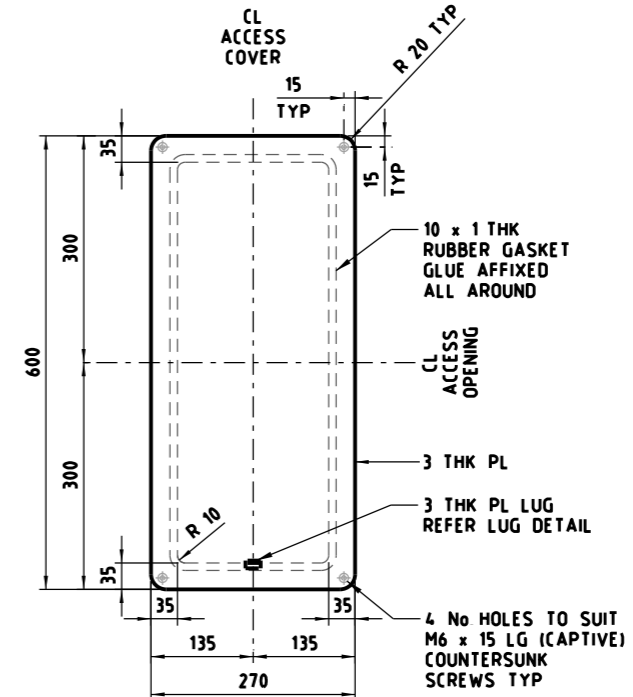
**150 x 300 ACCESS OPENING**  
NTS



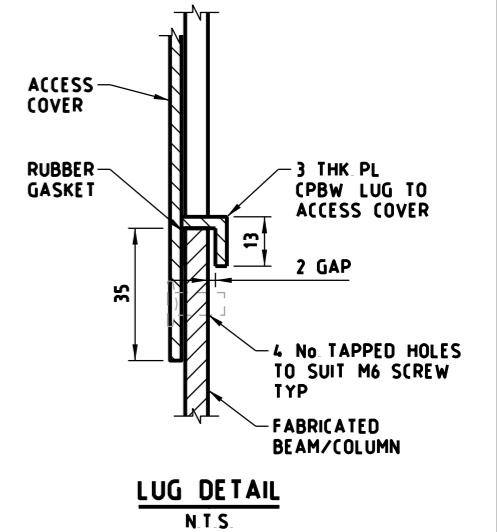
**170 x 320 ACCESS COVER**  
NTS



**530 x 200 ACCESS OPENING**  
NTS



**600 x 270 ACCESS COVER**  
NTS



**LUG DETAIL**  
NTS

**NOTES**

- 1 ALL OPENING EDGES TO BE DEBURRED

E			
D			
C			
B			
A	W H	12/2018	REVISION OF DETAIL
ISSUE	APP'D	DATE	AMENDMENT

GENERAL NOTES	

DESIGNED	M80 UPGRADE	07/2015
APPROVED	W HARVEY - MANAGER	
ITS INFRASTRUCTURE & SYSTEM 08/2015		
CAT:	SCALE OF METRES	
PROJ:	NTS	
FILE:	HOR	VER



<b>STANDARD DRAWING</b>			
MANAGED MOTORWAY			
<b>FRS LANTERN SUPPORT STRUCTURES</b>			
ACCESS OPENINGS & COVERS			
FILE NO	CONTRACT NO	SHEET NO	DRAWING NO
			TC-2255
			ISSUE A