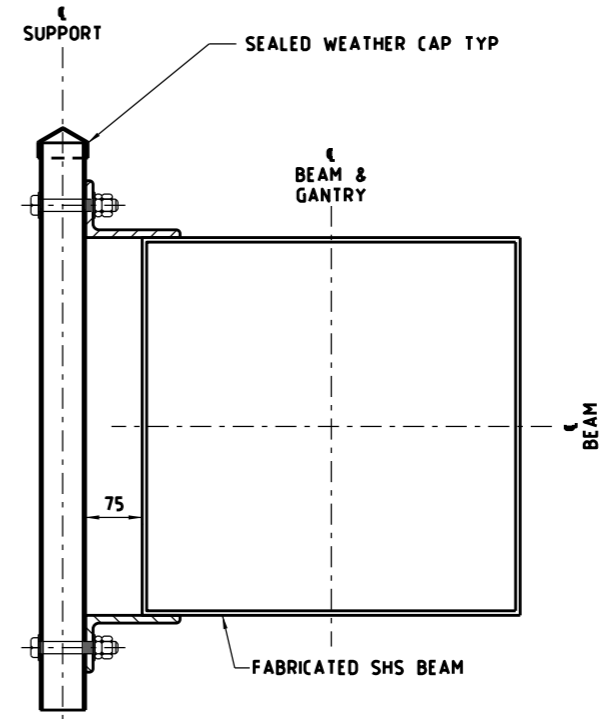


**BEAM MOUNTED
SIGN SUPPORT ASSEMBLY**
N T S
(APPROACH SIDE)



SECTION A
N T S

NOTE:

- 1 STANDARD DRAWINGS SHOWN ARE INDICATIVE ONLY. STRUCTURAL DETAILS SHALL BE DESIGNED BY A PRE-QUALIFIED CONSULTANT TO THE SATISFACTION OF VICROADS AND SHALL COMPLY WITH VICROADS' SPECIFICATION BRIDGE TECHNICAL NOTES (BTN'S) AND AS 5100 WHERE APPLICABLE.
- 2 THE MOUNTING ARRANGEMENT OF THE LANTERN ASSEMBLY AND STATIC SIGN MAY VARY DEPENDING ON CROSS SECTION SIZE OF THE ANTRY BEAM AND IT SHALL BE DESIGNED TO THE SATISFACTION OF VICROADS.

E			
D			
C			
B			
A	W H	12/2018	REMOVAL OF STRUCTURAL DETAIL
ISSUE	APP'D	DATE	AMENDMENT

GENERAL NOTES


DESIGNED M80 UPGRADE 07/2015

APPROVED W HARVEY - MANAGER
ITS INFRASTRUCTURE & SYSTEM 08/2015

CAT. PROJ. FILE

SCALE OF METRES N T S

HOR VER



STANDARD DRAWING
MANAGED MOTORWAY

FRS LANTERN SUPPORT STRUCTURES
BEAM MOUNTED STATIC SIGN
SUPPORT ASSEMBLY

FILE NO	CONTRACT NO	SHEET NO	DRAWING NO	ISSUE
			TC-2257	A