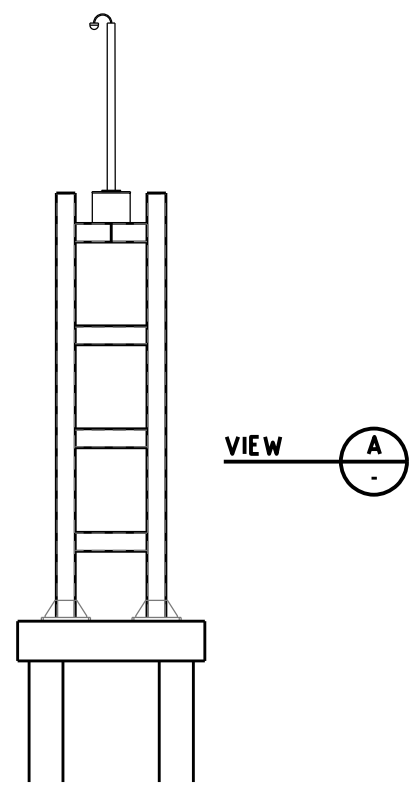
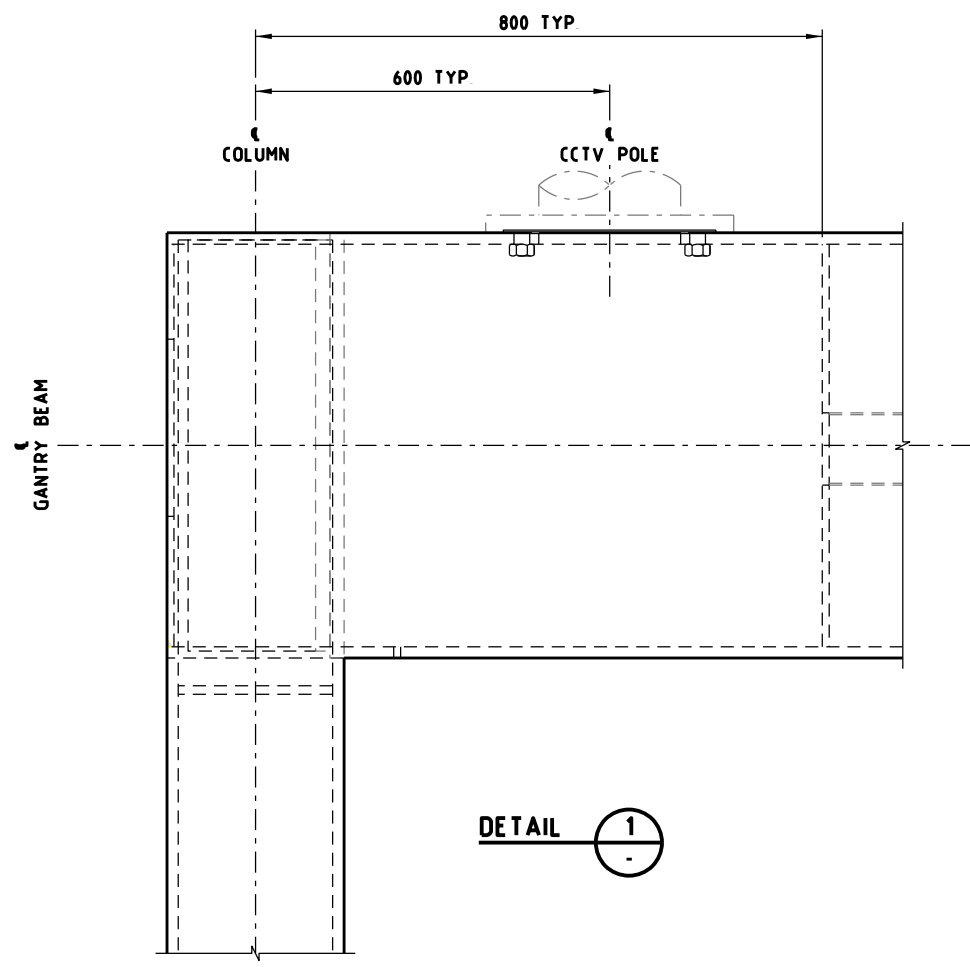


TYPICAL LUMS (NON-ACCESSIBLE) GANTRY WITH CCTV CAMERA



NOTES

- 1 TRAFFIC SAFETY BARRIERS TO BE DESIGNED SITE SPECIFIC IN ACCORDANCE WITH RDN 06-13
- 2 GANTRY BEAM TO BE TRUE HORIZONTAL
- 3 GANTRY TO BE EARTHED IN ACCORDANCE WITH STANDARD DRAWING TC-2265
- 4 GANTRY WIRING TO BE IN ACCORDANCE WITH STANDARD DRAWING TC-2266
- 5 MEDIAN LEG AND ASSOCIATED TRAFFIC BARRIER ONLY TO BE PROVIDED WHERE SPECIFIED
- 6 STANDARD DRAWINGS SHOWN ARE INDICATIVE ONLY STRUCTURAL DETAILS SHALL BE DESIGNED BY A PRE-QUALIFIED CONSULTANT TO THE SATISFACTION OF VICROADS AND SHALL COMPLY WITH VICROADS' SPECIFICATION BRIDGE TECHNICAL NOTES (BTN'S) AND AS 5100 WHERE APPLICABLE

E			
D			
C			
B			
A	W H	12/2018	REVISION OF DETAIL
ISSUE	APP'D	DATE	AMENDMENT

GENERAL NOTES

DESIGNED M80 UPGRADE 07/2015

APPROVED W HARVEY - MANAGER ITS INFRASTRUCTURE & SYSTEM 08/2015

CAT. PROJ. FILE

SCALE OF METRES N T S

HOR VER

STANDARD DRAWING
MANAGED MOTORWAY

NON-ACCESSIBLE LUMS GANTRY
GENERAL ARRANGEMENT

FILE NO	CONTRACT NO	SHEET NO	DRAWING NO	ISSUE
			TC-2260	A