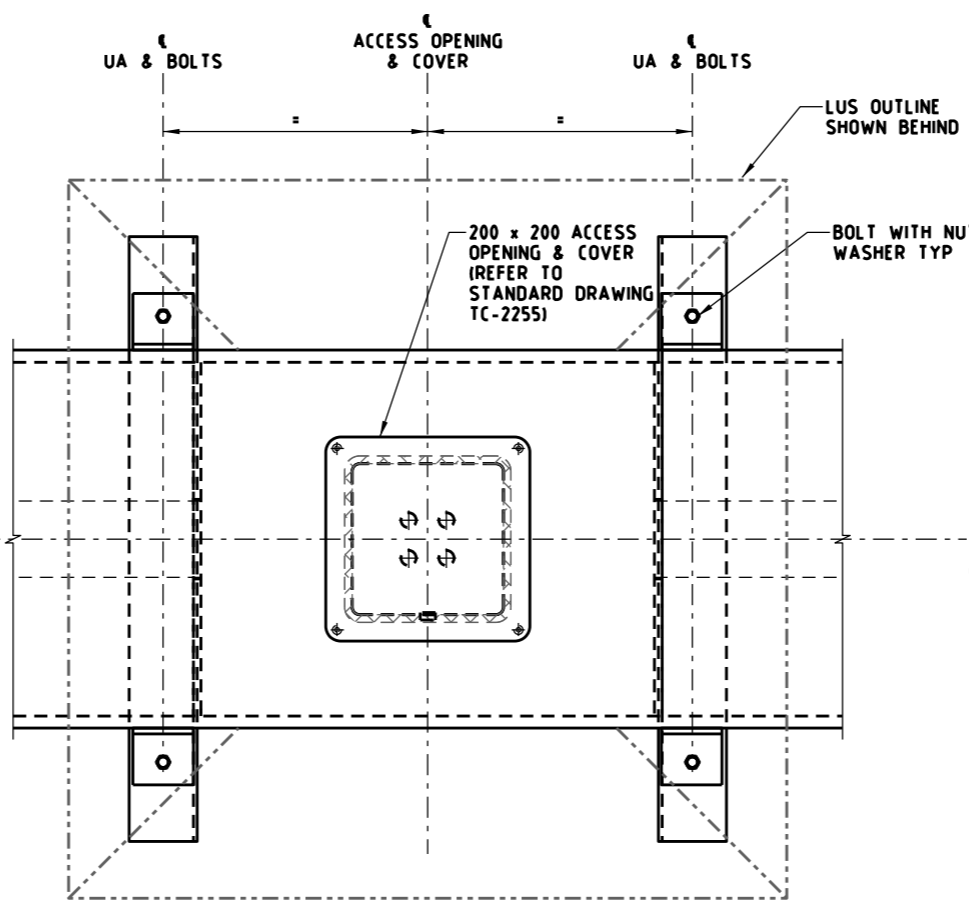
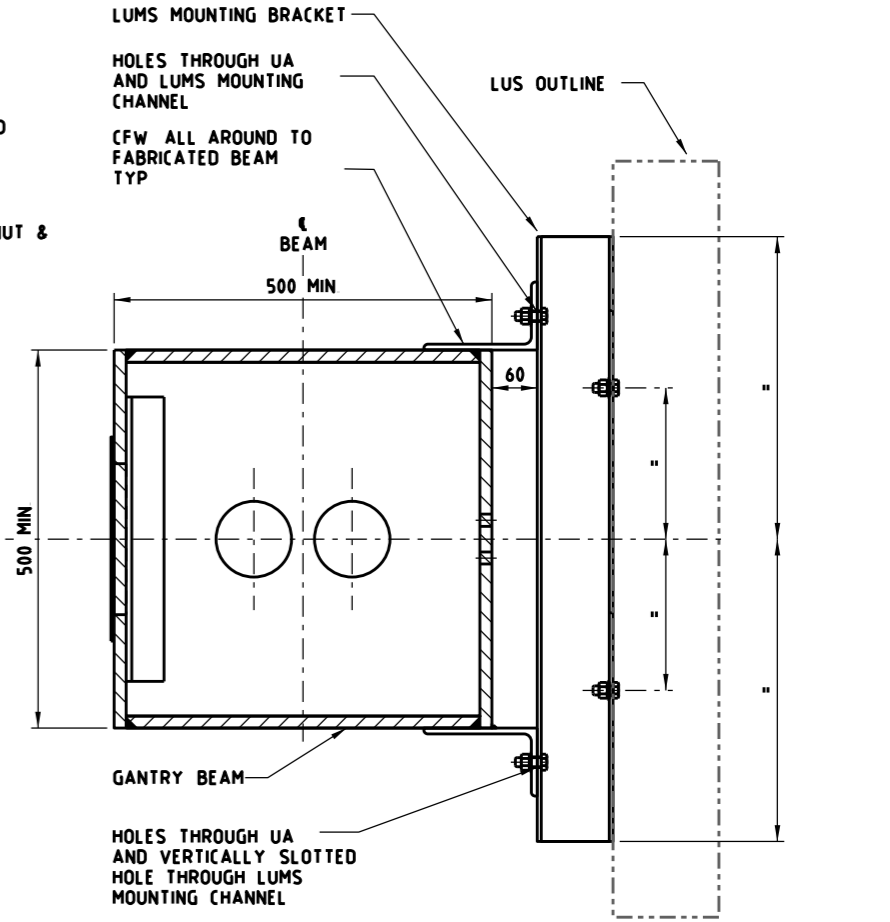


LUMS SIGN CAVITY AND DIAPHRAGMS
TYPICAL (APPROACH SIDE)



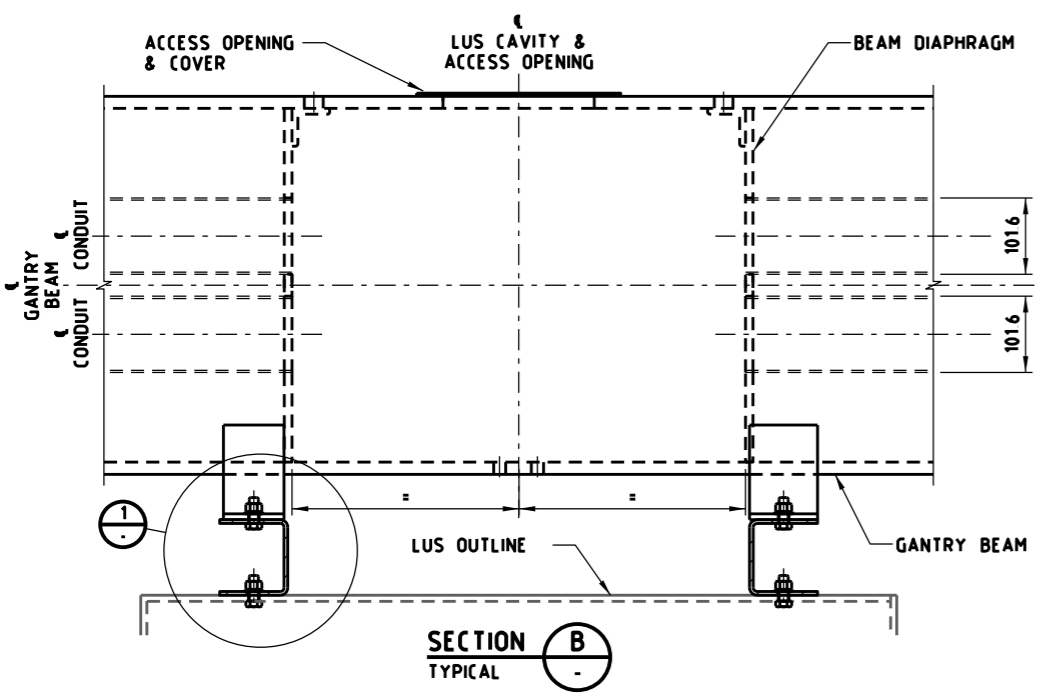
LUMS SIGN CAVITY AND DIAPHRAGMS
TYPICAL (DEPARTURE SIDE)



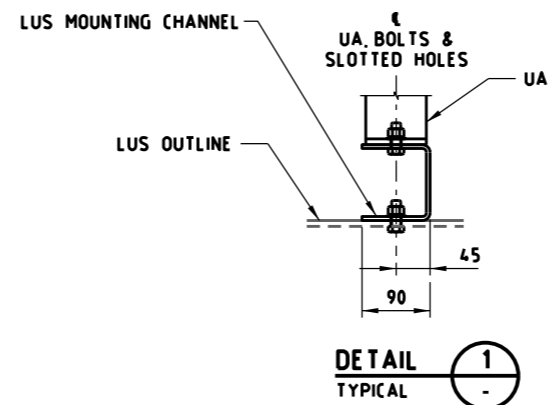
DEPARTURE SIDE

APPROACH SIDE

SECTION A
TYPICAL



SECTION B
TYPICAL



DETAIL 1
TYPICAL

NOTES

- 1 ALL OPENING EDGES TO BE DEBURRED
- 2 DIAPHRAGM TO BE FABRICATED STEEL
- 3 STANDARD DRAWINGS SHOWN ARE INDICATIVE ONLY STRUCTURAL DETAILS SHALL BE DESIGNED BY A PRE- QUALIFIED CONSULTANT TO THE SATISFACTION OF VICROADS AND SHALL COMPLY WITH VICROADS' SPECIFICATION BRIDGE TECHNICAL NOTES (BTN'S) AND AS 5100 WHERE APPLICABLE
- 4 THE MOUNTING ARRANGEMENT OF THE LUMS ASSEMBLY MAY VARY DEPENDING ON CROSS SECTION SIZE OF THE GANTRY BEAM AND IT SHALL BE DESIGNED TO THE SATISFACTION OF VICROADS

| | | | |
|-------|-------|---------|--------------------|
| E | | | |
| D | | | |
| C | | | |
| B | | | |
| A | W H | 12/2018 | REVISION OF DETAIL |
| ISSUE | APP'D | DATE | AMENDMENT |

GENERAL NOTES

DESIGNED M80 UPGRADE 07/2015

APPROVED W HARVEY - MANAGER
ITS INFRASTRUCTURE & SYSTEM 08/2015

CAT. PROJ. FILE

SCALE OF METRES
N T S

HOR VER

STANDARD DRAWING
MANAGED MOTORWAY
NON-ACCESSIBLE LUMS GANTRY
INTERNAL COUNDUITING
AND MOUNTING ARRANGEMENT

| | | | | |
|---------|-------------|----------|------------|-------|
| FILE NO | CONTRACT NO | SHEET NO | DRAWING NO | ISSUE |
| | | | TC-2261 | A |