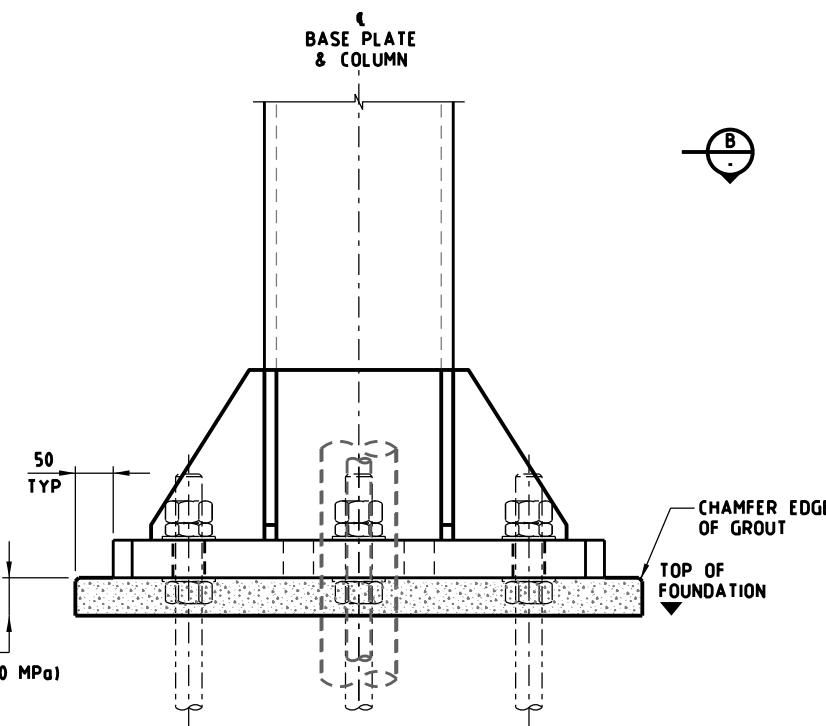
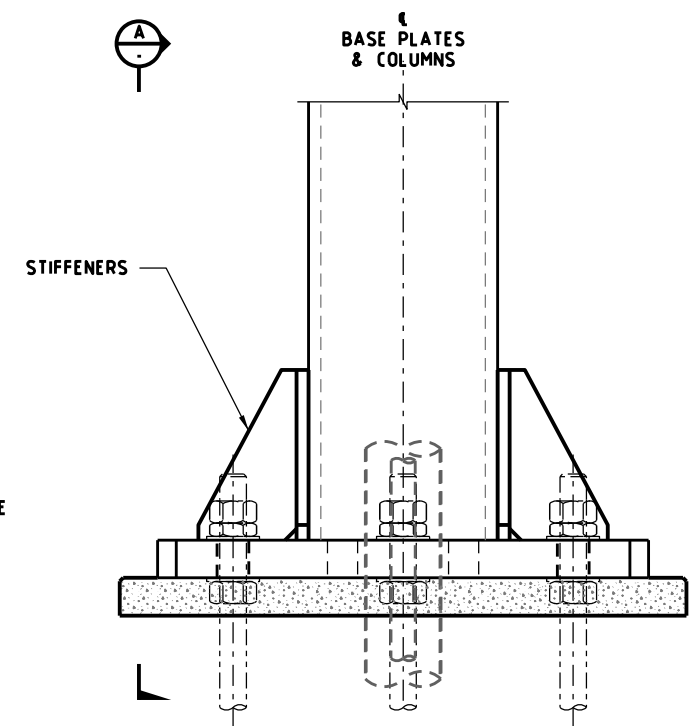


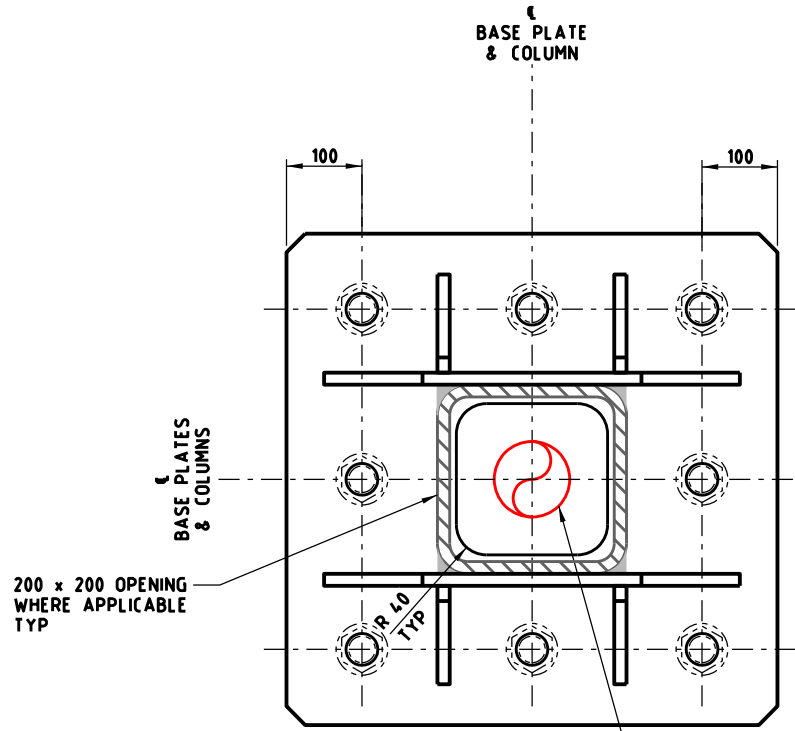
VIEW A
NTS



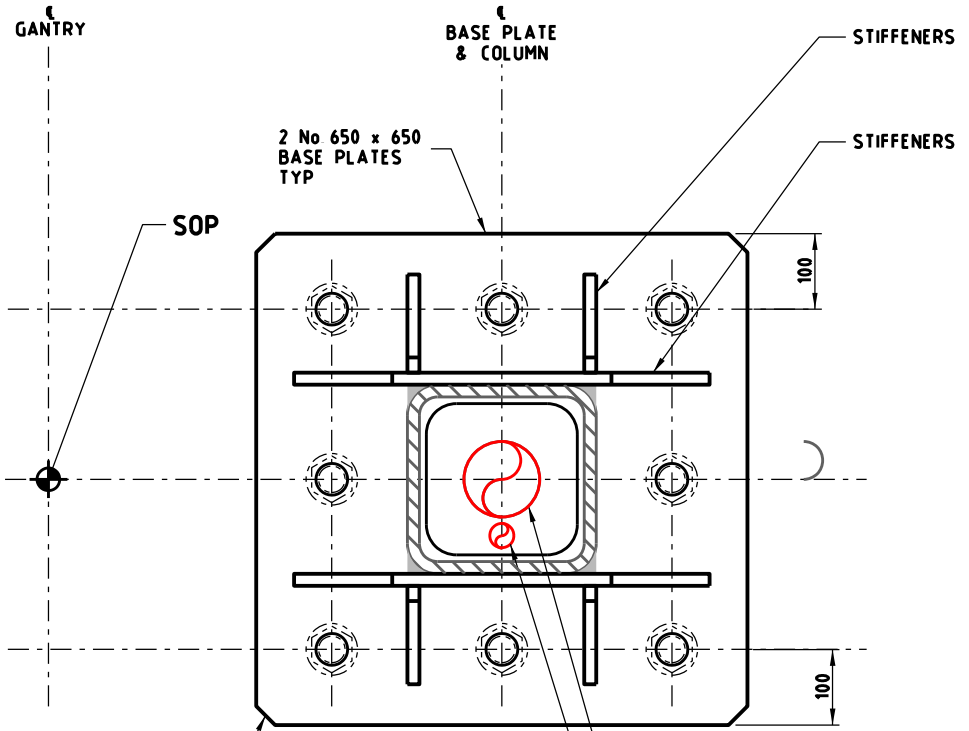
B



DOUBLE COLUMN BASE PLATE
TYPE 3
NTS



SECTION B
NTS



NOTE

- STANDARD DRAWINGS SHOWN ARE INDICATIVE ONLY STRUCTURAL DETAILS SHALL BE DESIGNED BY A PRE-QUALIFIED CONSULTANT TO THE SATISFACTION OF VICROADS AND SHALL COMPLY WITH VICROADS' SPECIFICATION BRIDGE TECHNICAL NOTES (BTN'S) AND AS 5100 WHERE APPLICABLE.
- FOR FRS GANTRY DESIGN, ENSURE THE ELECTRICAL PIT IS LOCATED ADJACENT TO THE FIRST LEG FROM APPROACH SIDE TO ALLOW ELECTRICAL CABLES TO BE INSTALLED FOR TRAFFIC SIGNAL LANTERNS

E			
D			
C			
B			
A	WH	12/2018	REMOVAL OF STRUCTURAL DETAIL
ISSUE	APP'D	DATE	AMENDMENT

GENERAL NOTES	

DESIGNED	M80 UPGRADE	07/2015
APPROVED	W HARVEY - MANAGER	
ITS INFRASTRUCTURE & SYSTEM 08/2015		
CAT	SCALE OF METRES	
PROJ	NTS	
FILE	HOR	VER



STANDARD DRAWING			
MANAGED MOTORWAY			
NON-ACCESSIBLE LUMS GANTRY			
COLUMN BASE PLATE DETAILS			
TYPICAL ARRANGEMENT			
FILE NO	CONTRACT NO	SHEET NO	DRAWING NO
			TC-2263
			ISSUE A