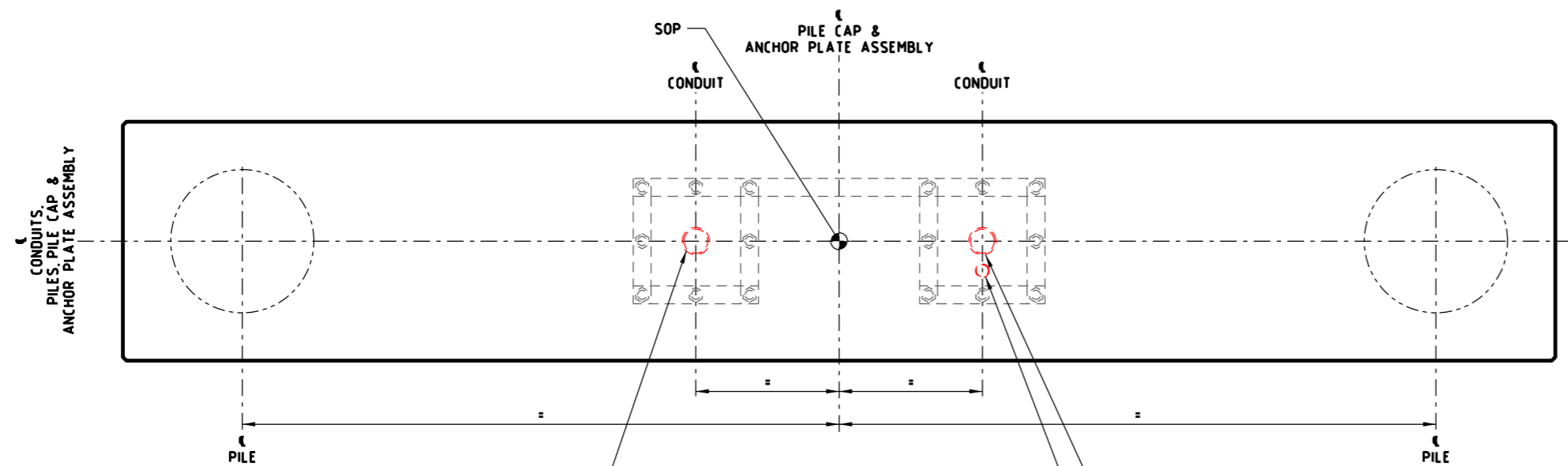


**NOTES:**

- 1 CONDUITS SHALL COMPLY WITH AS 2053
- 2 750mm MINIMUM RADIUS FOR COMMUNICATIONS CONDUITS  
600mm MINIMUM RADIUS FOR ELECTRICAL CONDUITS
- 3 STANDARD DRAWINGS SHOWN ARE INDICATIVE ONLY STRUCTURAL DETAILS SHALL BE DESIGNED BY A PRE-QUALIFIED CONSULTANT TO THE SATISFACTION OF VICROADS AND SHALL COMPLY WITH VICROADS' SPECIFICATION BRIDGE TECHNICAL NOTES (BTN'S) AND AS 5100 WHERE APPLICABLE

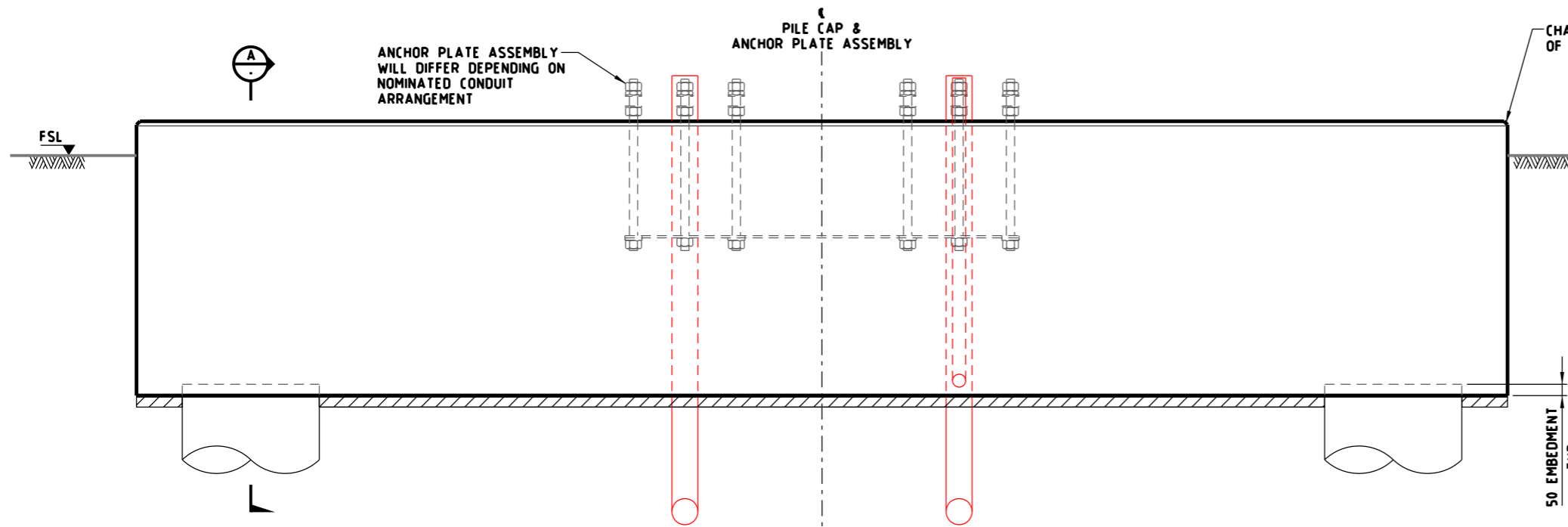


1 No 100 DIA HD WHITE CONDUITS FOR COMMUNICATIONS CABLES

**PLAN**  
NTS

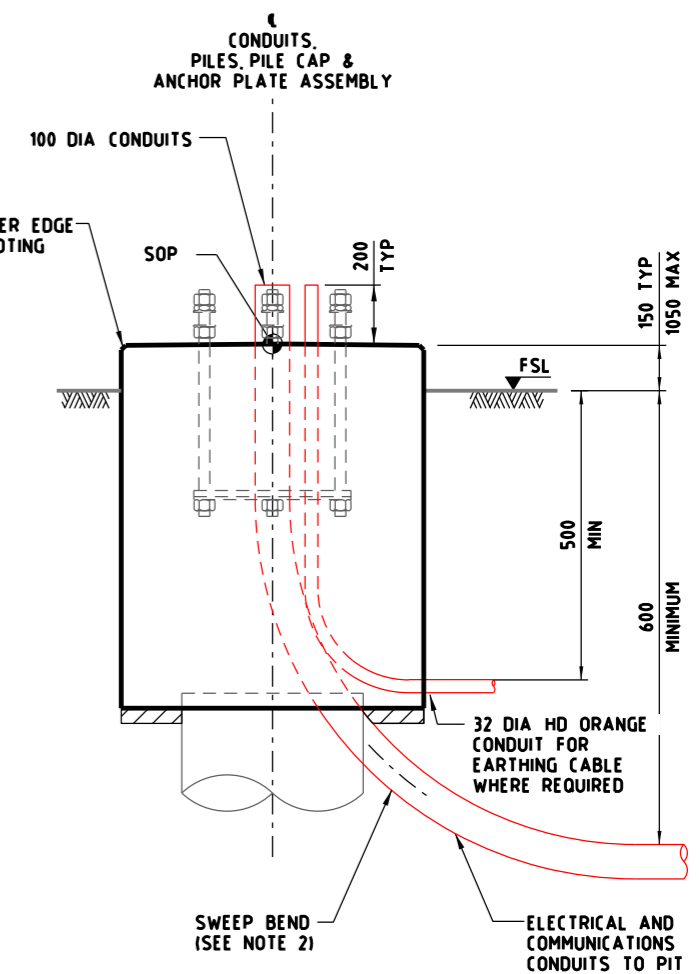
1 No 100 DIA HD ORANGE CONDUITS FOR ELECTRICAL CABLES

1 No 32 DIA HD ORANGE CONDUITS FOR EARTHING CABLES WHERE REQUIRED



ANCHOR PLATE ASSEMBLY WILL DIFFER DEPENDING ON NOMINATED CONDUIT ARRANGEMENT

**ELEVATION**  
NTS



**SECTION A**  
NTS

E			
D			
C			
B			
A	W H	12/2018	REVISION OF DETAIL
ISSUE	APP'D	DATE	AMENDMENT

GENERAL NOTES	
---------------	--

DESIGNED	M80 UPGRADE	07/2015
APPROVED	W HARVEY - MANAGER	
	ITS INFRASTRUCTURE & SYSTEM 08/2015	
CAT:		SCALE OF METRES
PROJ:		NTS
FILE:		HOR VER



<b>STANDARD DRAWING</b>				
MANAGED MOTORWAY				
<b>NON-ACCESSIBLE LUMS GANTRY</b>				
FOUNDATION CONDUIT DETAIL				
TYPICAL ARRANGEMENT				
FILE NO	CONTRACT NO	SHEET NO	DRAWING NO	ISSUE
			TC-2264	A