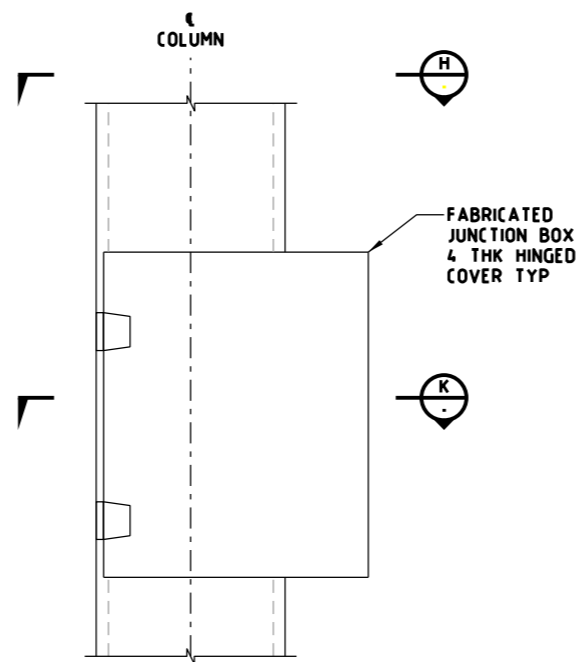
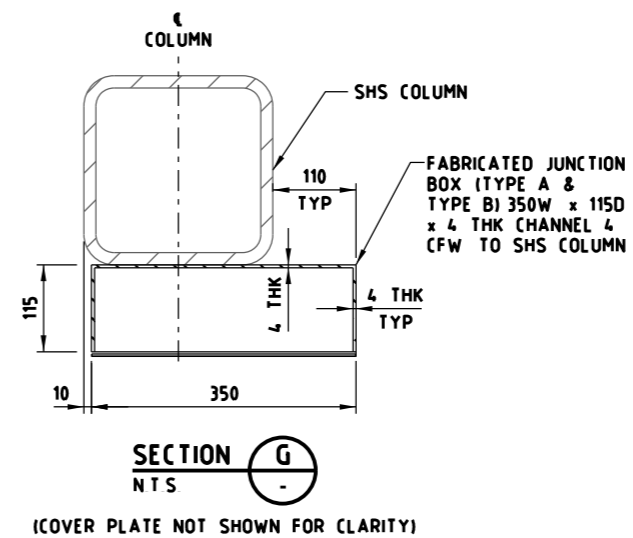


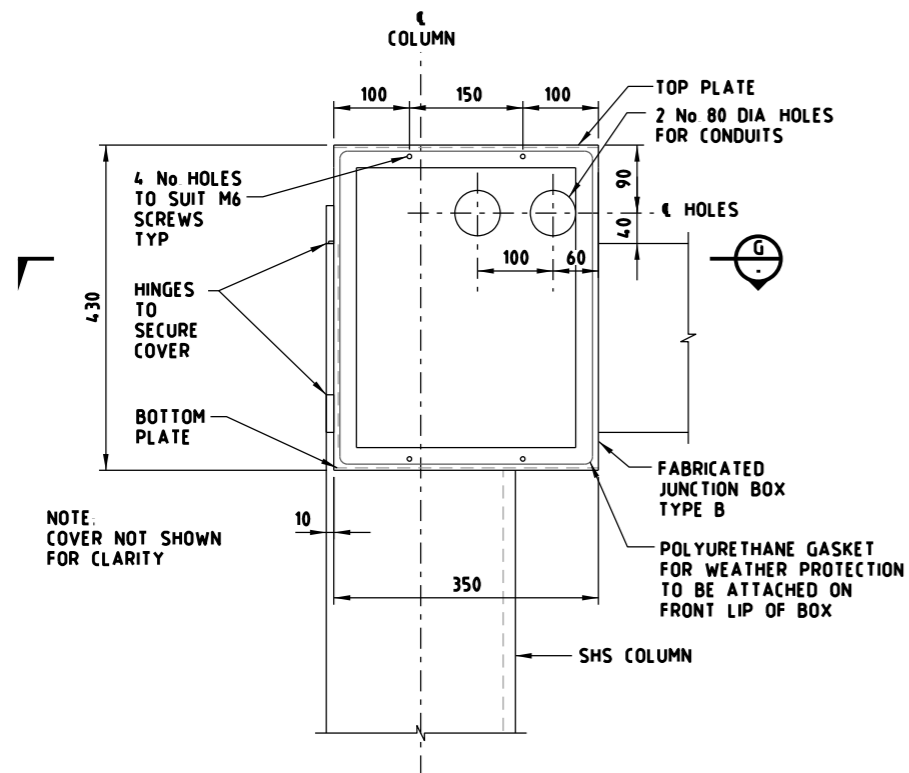
**FABRICATED JUNCTION BOX - TYPE A
FOR VERTICALLY ALIGNED CONDUITS - ELEVATION**
NTS



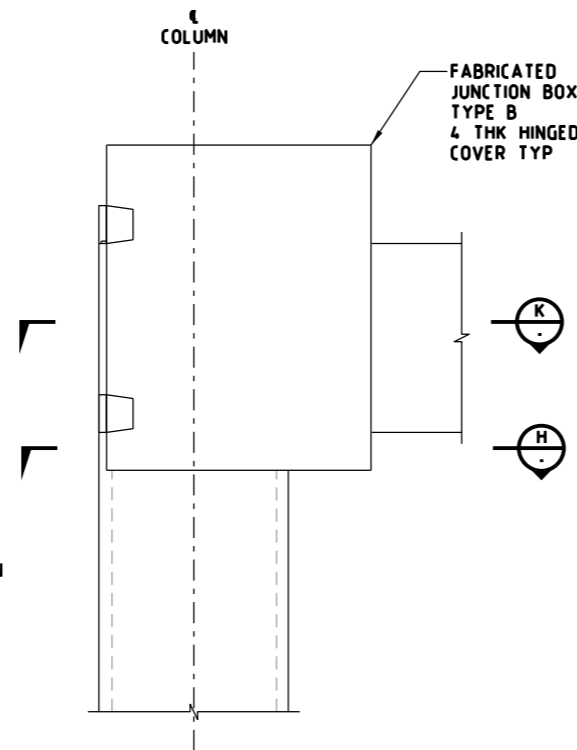
**FABRICATED JUNCTION BOX TYPE A COVER PLATE
FOR VERTICALLY ALIGNED CONDUITS - ELEVATION**
NTS



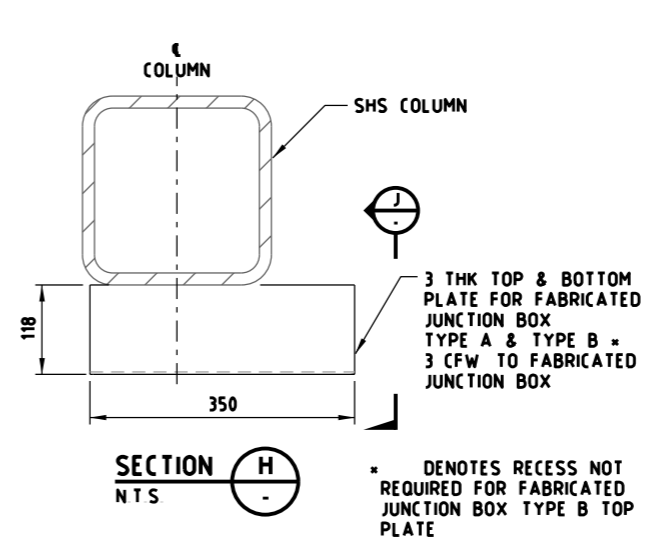
SECTION G
NTS
(COVER PLATE NOT SHOWN FOR CLARITY)



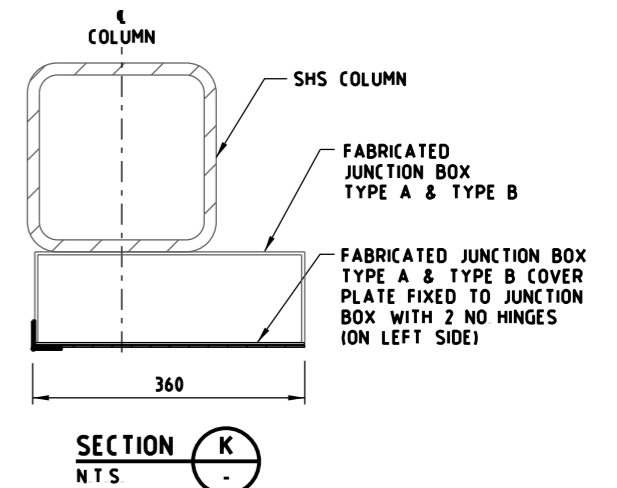
**FABRICATED JUNCTION BOX - TYPE B
FOR HORIZONTALLY ALIGNED CONDUITS - ELEVATION**
NTS



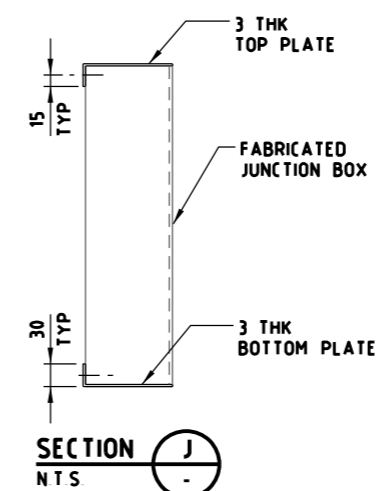
**FABRICATED JUNCTION BOX TYPE B COVER PLATE
FOR HORIZONTALLY ALIGNED CONDUITS - ELEVATION**
NTS



SECTION H
NTS
* DENOTES RECESS NOT REQUIRED FOR FABRICATED JUNCTION BOX TYPE B TOP PLATE



SECTION K
NTS



SECTION J
NTS

NOTE:

- CONDUIT CLADDING, FABRICATED JUNCTION BOX & COVER PLATE SHALL BE COATED TO MATCH GANTRY

E			
D			
C			
B			
A	W H	12/2018	REVISION OF DETAIL
ISSUE	APP'D	DATE	AMENDMENT

GENERAL NOTES	

DESIGNED	M80 UPGRADE	07/2015
APPROVED	W HARVEY - MANAGER	
ITS INFRASTRUCTURE & SYSTEM 08/2015		
CAT:	SCALE OF METRES	
PROJ:	NTS	
FILE:	HOR	VER



STANDARD DRAWING MANAGED MOTORWAY				
ACCESSIBLE VMS AND LUMS GANTRY TYPICAL CONDUIT ROUTE - SHEET 3 OF 6				
FILE NO	CONTRACT NO	SHEET NO	DRAWING NO	ISSUE
			TC-2275	A