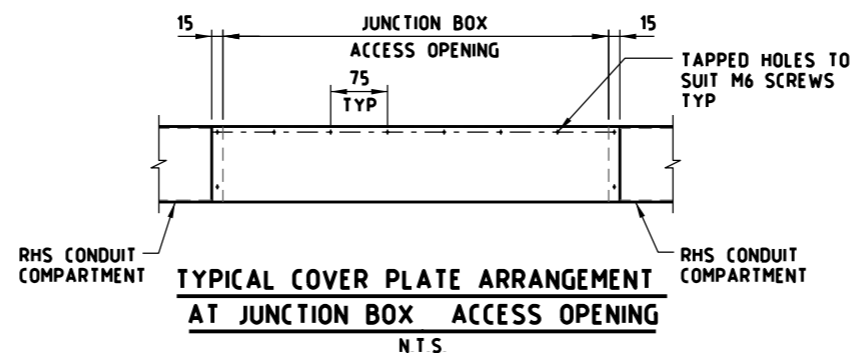
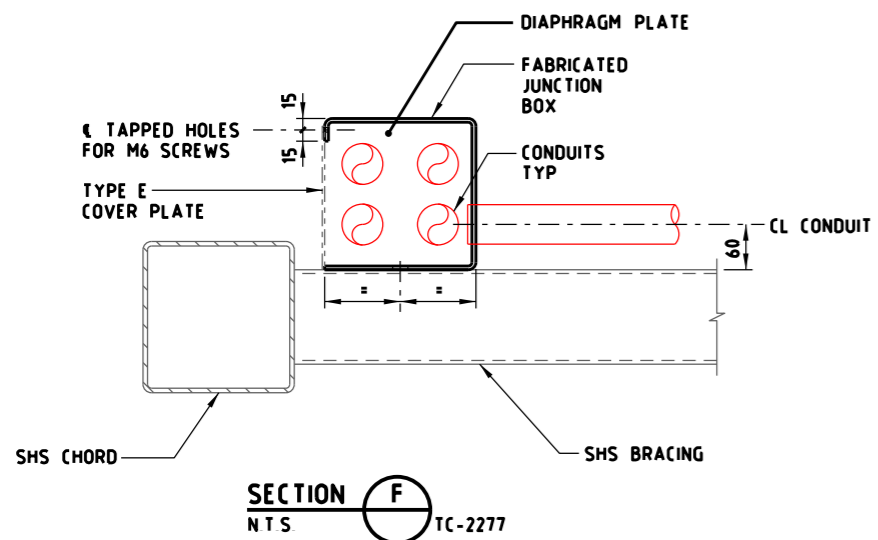


COVER PLATE SCHEDULE	
COVER PLATE TYPE	LENGTH "L"
C	460
D	1310
E	1560
F	1150*

* DENOTE FOLDED COVER PLATE (REFER SECTION G)



NOTES

- FOR GENERAL NOTES REFER DRG No TC-2274
- CONDUIT CLADDING, FABRICATED JUNCTION BOX & COVER PLATE SHALL BE COATED TO MATCH GANTRY.
- ALL UNUSED CONDUITS SHALL BE CAPPED.

ISSUE	APP'D	DATE	AMENDMENT
A	W H	12/2018	REVISION OF DETAIL

GENERAL NOTES	

DESIGNED	M80 UPGRADE	07/2015	
APPROVED	W HARVEY - MANAGER		
ITS INFRASTRUCTURE & SYSTEM 08/2015			SCALE OF METRES N T S
CAT:	HOR	VER	FILE NO
PROJ:			CONTRACT NO
FILE:			SHEET NO

STANDARD DRAWING MANAGED MOTORWAY				
ACCESSIBLE VMS AND LUMS GANTRY TYPICAL CONDUIT ROUTE - SHEET 6 OF 6				
FILE NO	CONTRACT NO	SHEET NO	DRAWING NO	ISSUE
			TC-2278	A