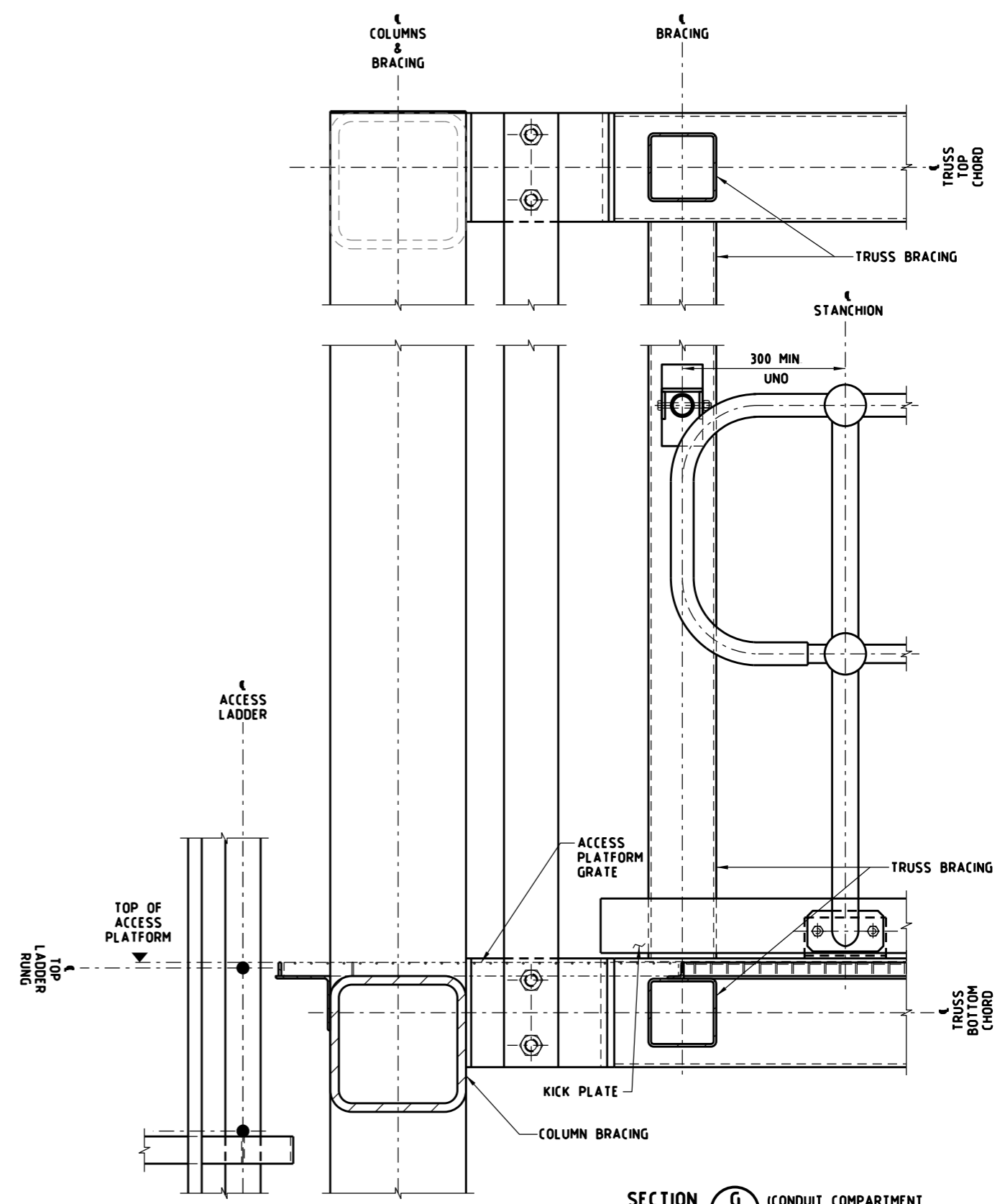


SECTION F
NTS TC-2281



SECTION G (CONDUIT COMPARTMENT
NOT SHOWN FOR CLARITY)
NTS TC-2281

NOTE

- STANDARD DRAWINGS SHOWN ARE INDICATIVE ONLY STRUCTURAL DETAILS SHALL BE DESIGNED BY A PRE-QUALIFIED CONSULTANT TO THE SATISFACTION OF VICROADS AND SHALL COMPLY WITH VICROADS' SPECIFICATION BRIDGE TECHNICAL NOTES (BTN'S) AND AS 5100 WHERE APPLICABLE
- ACCESS LADDER, CAGE AND HANDRAILS TO COMPLY WITH AS1657

E				
D				
C				
B				
A	W H	12/2018	REMOVAL OF STRUCTURAL DETAIL	
ISSUE	APP'D	DATE	AMENDMENT	

GENERAL NOTES	

DESIGNED	M80 UPGRADE	07/2015
APPROVED	W HARVEY - MANAGER	
	ITS INFRASTRUCTURE & SYSTEM 08/2015	
CAT:	SCALE OF METRES	
PROJ:	NTS	
FILE:	HOR	VER



STANDARD DRAWING MANAGED MOTORWAY				
ACCESSIBLE VMS AND LUMS GANTRY ACCESS WALKWAY & HANDRAIL - 2 OF 4 TYPICAL ARRANGEMENT				
FILE NO	CONTRACT NO	SHEET NO	DRAWING NO	ISSUE
			TC-2282	A