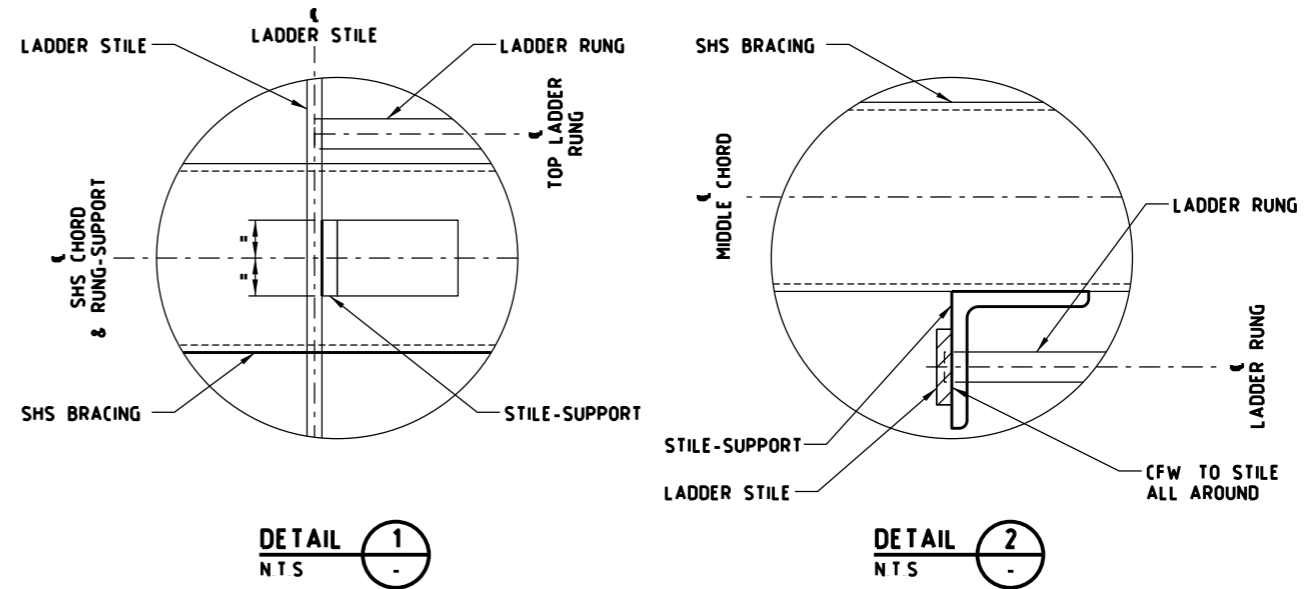
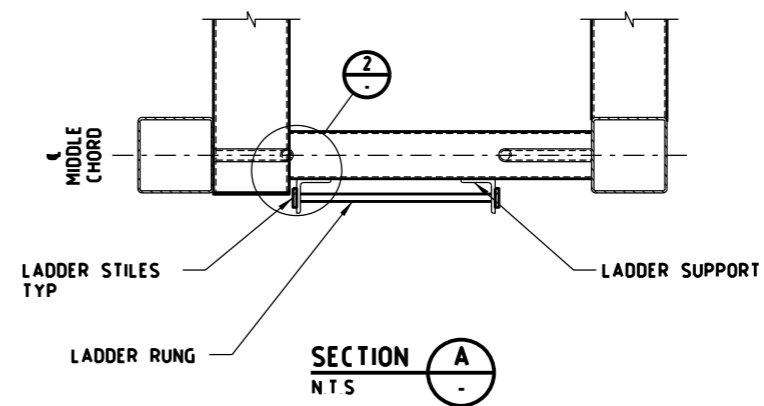


TYPICAL SECTION - ACCESS LADDER BETWEEN LOWER PLATFORM AND UPPER PLATFORM
NTS



RUNG-SUPPORT CONNECTION DETAILS



NOTES

- 1 ALL EXPOSED EDGES SHALL BE DEBURRED
- 2 STANDARD DRAWINGS SHOWN ARE INDICATIVE ONLY STRUCTURAL DETAILS SHALL BE DESIGNED BY A PRE-QUALIFIED CONSULTANT TO THE SATISFACTION OF VICROADS AND SHALL COMPLY WITH VICROADS' SPECIFICATION BRIDGE TECHNICAL NOTES (BTN'S) AND AS 5100 WHERE APPLICABLE.
- 3 ACCESS LADDER, CAGE AND HANDRAILS TO COMPLY WITH AS 1657

E			
D			
C			
B			
A	WH	12/2018	REMOVAL OF STRUCTURAL DETAIL
ISSUE	APP'D	DATE	AMENDMENT

GENERAL NOTES	

DESIGNED	M80 UPGRADE	07/2015
APPROVED	W HARVEY - MANAGER	
	ITS INFRASTRUCTURE & SYSTEM 08/2015	
CAT:		SCALE OF METRES
PROJ:		NTS
FILE:		



STANDARD DRAWING				
MANAGED MOTORWAY				
ACCESSIBLE VMS AND LUMS GANTRY				
ACCESS WALKWAY & HANDRAIL - 4 OF 4				
TYPICAL ARRANGEMENT				
FILE NO	CONTRACT NO	SHEET NO	DRAWING NO	ISSUE
			TC-2284	A