

2 No 50 DIA HD WHITE CONDUITS FOR COMMUNICATIONS CABLES FROM COMMS PIT

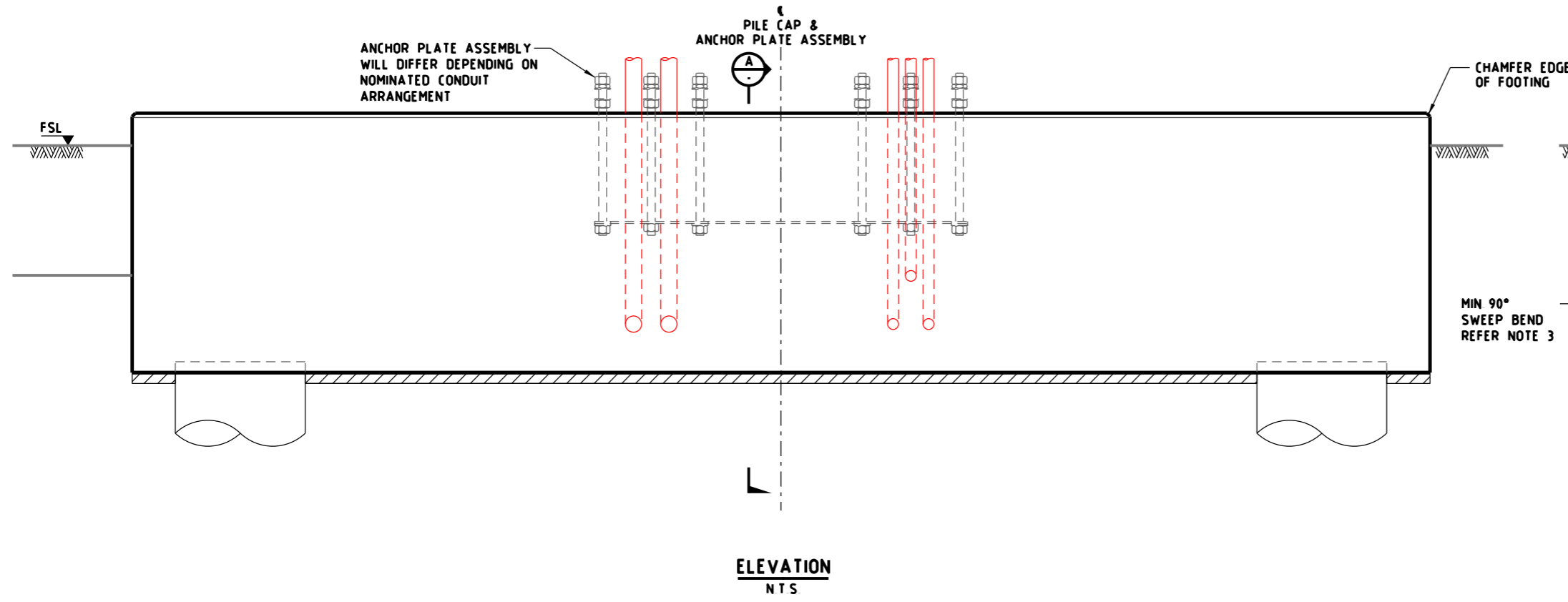
2 No 50 DIA HD ORANGE CONDUITS FOR ELECTRICAL CABLES FROM ELECTRICAL PIT

1 No 32 DIA HD ORANGE CONDUIT FOR EARTHING CABLE WHERE REQUIRED

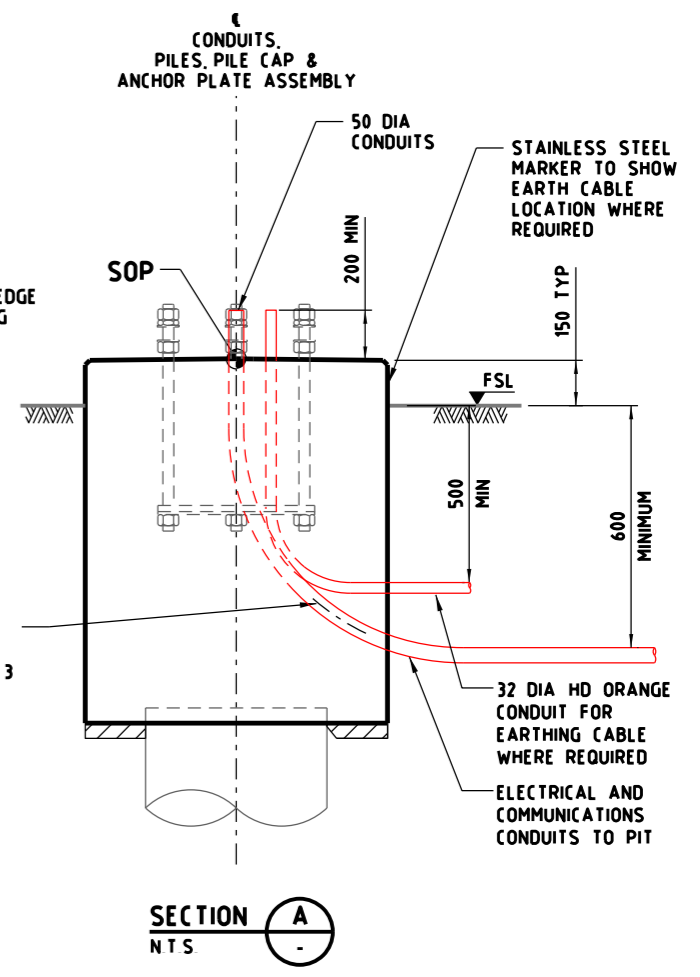
**PLAN**  
NTS

**NOTES:**

- 1 CONDUITS SHALL COMPLY WITH AS2053 AND AS/NZS3000
- 2 GALVANISED STEEL CONDUITS SHALL HAVE THREADED ENDS WITH TEMPORARY END CAPS WHEN PROJECTED FROM FOOTING
- 3 STANDARD DRAWINGS SHOWN ARE INDICATIVE ONLY STRUCTURAL DETAILS SHALL BE DESIGNED BY A PRE-QUALIFIED CONSULTANT TO THE SATISFACTION OF VICROADS AND SHALL COMPLY WITH VICROADS' SPECIFICATION BRIDGE TECHNICAL NOTES (BTN'S) AND AS 5100 WHERE APPLICABLE



**ELEVATION**  
NTS



**SECTION A**  
NTS

E			
D			
C			
B			
A	WH	12/2018	REMOVAL OF STRUCTURAL DETAIL
ISSUE	APP'D	DATE	AMENDMENT

GENERAL NOTES

DESIGNED M80 UPGRADE 07/2015

APPROVED W HARVEY - MANAGER  
ITS INFRASTRUCTURE & SYSTEM 08/2015

CAT: PROJ: FILE:

SCALE OF METRES  
NTS

HOR VER



**STANDARD DRAWING**  
MANAGED MOTORWAY

**ACCESSIBLE VMS AND LUMS GANTRY**  
FOUNDATION CONDUIT DETAILS  
TYPICAL ARRANGEMENT

FILE NO	CONTRACT NO	SHEET NO	DRAWING NO	ISSUE
			TC-2286	A