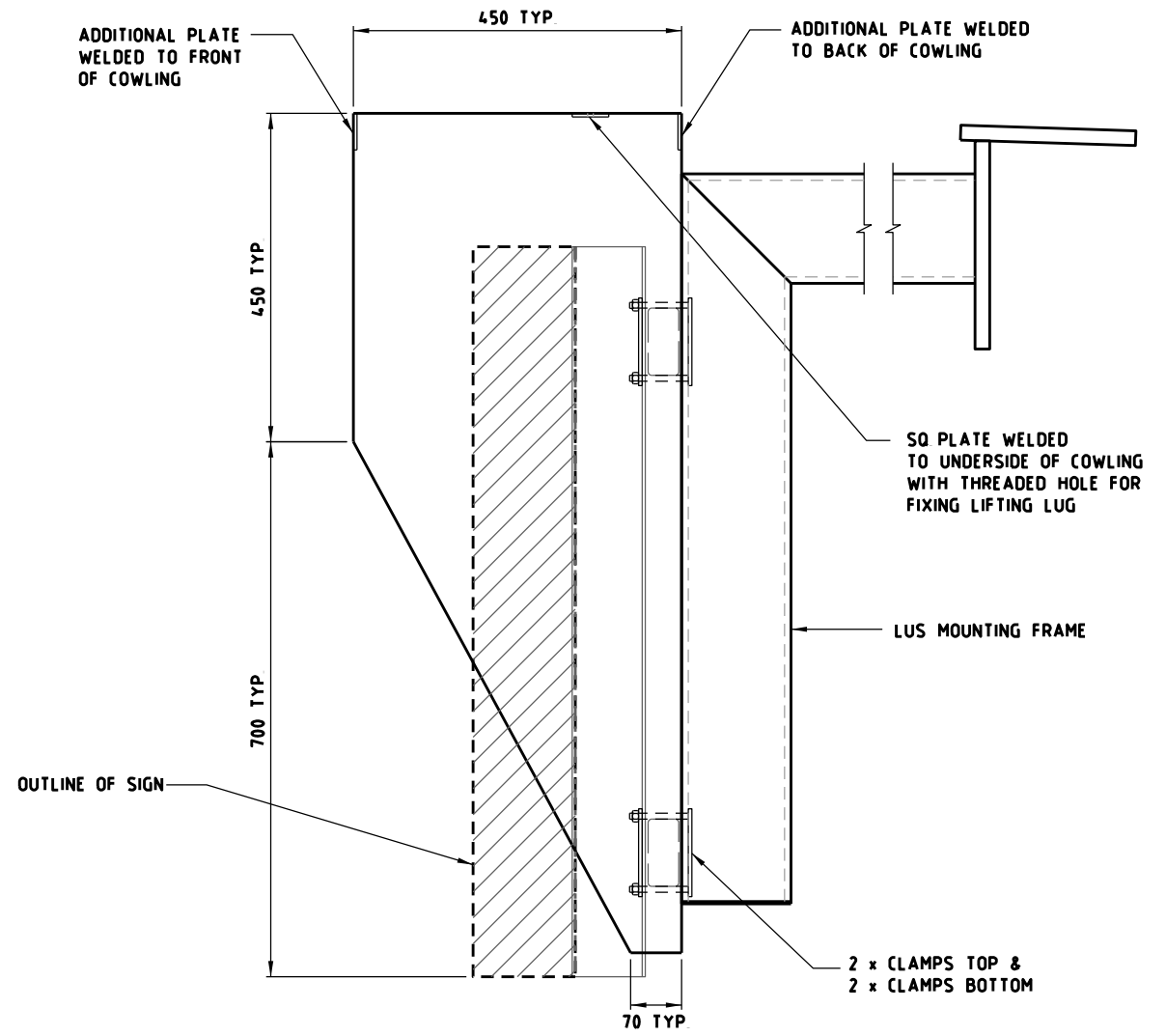
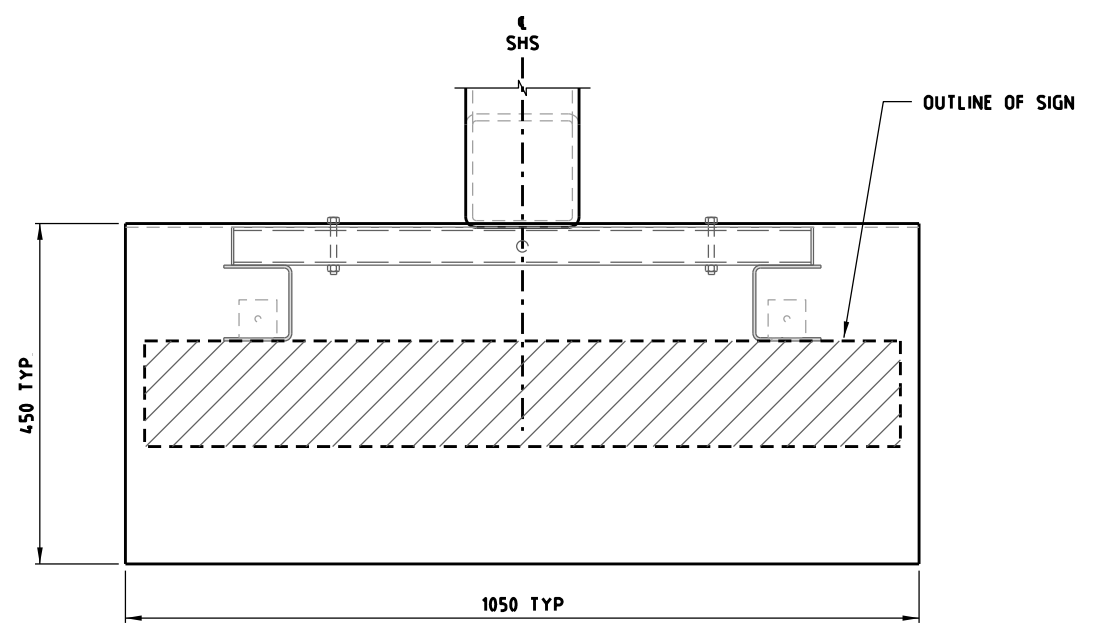


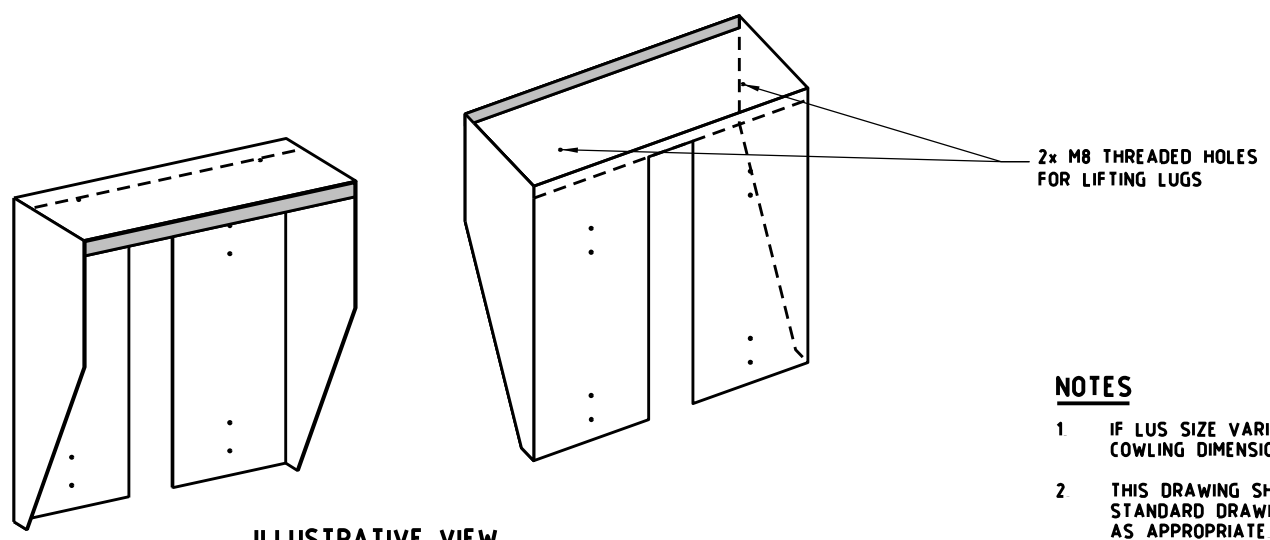
COWLING - FRONT ELEVATION
NTS



COWLING - SIDE ELEVATION
NTS



COWLING - PLAN
NTS



ILLUSTRATIVE VIEW
NTS

NOTES

1. IF LUS SIZE VARIES FROM THAT ASSUMED, COWLING DIMENSIONS TO BE ADJUSTED TO SUIT.
2. THIS DRAWING SHALL BE READ IN CONJUNCTION WITH STANDARD DRAWINGS TC-2313, TC-2315 OR TC-2317 AS APPROPRIATE.
3. STANDARD DRAWINGS SHOWN ARE INDICATIVE ONLY. STRUCTURAL DETAILS SHALL BE DESIGNED BY A PRE-QUALIFIED CONSULTANT TO THE SATISFACTION OF VICROADS AND SHALL COMPLY WITH VICROADS' SPECIFICATION BRIDGE TECHNICAL NOTES (BTN'S) AND AS 5100 WHERE APPLICABLE.

E			
D			
C			
B			
A	WH	12/2018	REMOVAL OF STRUCTURAL DETAIL
ISSUE	APP'D	DATE	AMENDMENT

GENERAL NOTES

DESIGNED M80 UPGRADE 07/2015

APPROVED W HARVEY - MANAGER
ITS INFRASTRUCTURE & SYSTEM 08/2015

CAT. PROJ. FILE

SCALE OF METRES
NTS

HOR VER

STANDARD DRAWING
MANAGED MOTORWAY

STRUCTURE MOUNTED LUMS ARRANGEMENTS
ANTI-VANDAL COWLING

FILE NO	CONTRACT NO	SHEET NO	DRAWING NO	ISSUE
			TC-2318	A