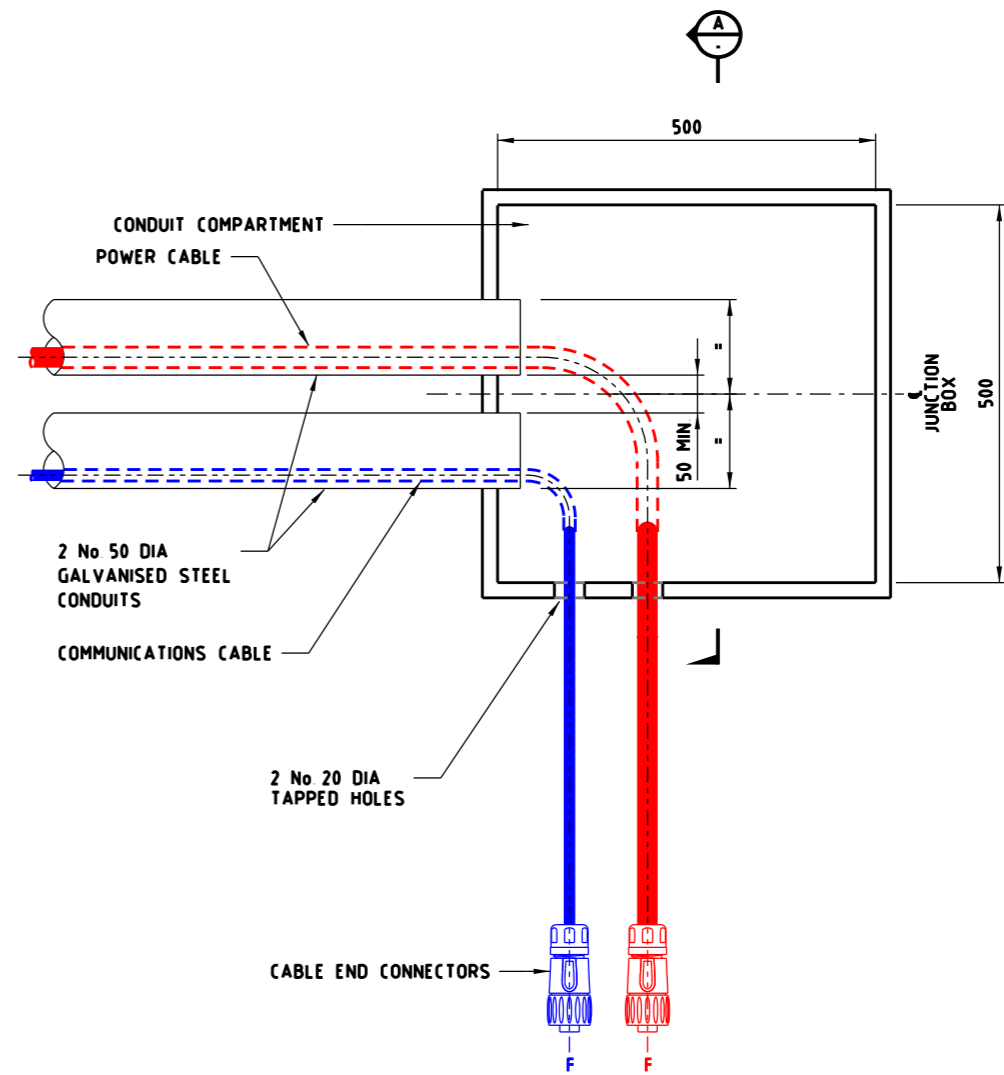
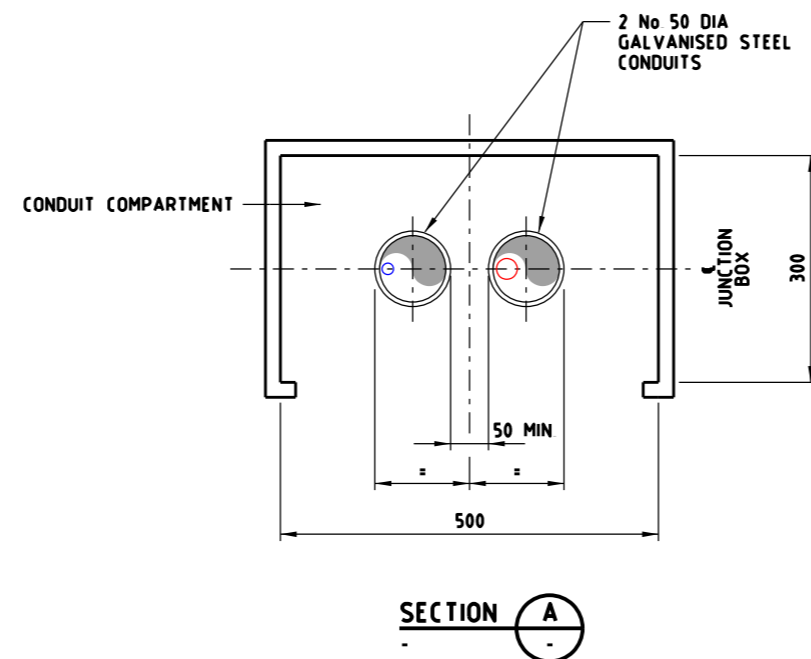


**CONNECTORS TO LUS WITH  
TYPE 3 STRUCTURE MOUNTED JUNCTION BOX**  
PLAN  
NTS



**CONNECTORS TO LUS WITH  
TYPE 4 STRUCTURE MOUNTED JUNCTION BOX**  
PLAN  
NTS



**SECTION A**

**LEGEND**

BLUE - COMMUNICATIONS CABLE  
RED - POWER CABLE

**NOTES**

- 1 COMMUNICATIONS AND POWER CABLES BETWEEN JUNCTION BOX AND LUS UNIT TO BE RUN INSIDE WEATHERPROOF FLEXIBLE CONDUIT WITH MATCHING WEATHERPROOF GLANDS
- 2 DIMENSIONS SHOWN ARE IN MILLIMETERS, UNO
- 3 ANY VARIATION IN SIZE TO BE APPROVED BY THE SUPERINTENDENT.
- 4 WEATHERPROOF COUPLING TO BE PROVIDED BETWEEN CONDUIT AND JUNCTION BOX
- 5 ENDS OF CONDUITS TO BE TRIMMED NEATLY AND FREE FROM SHARP EDGES
- 6 JUNCTION BOX SHALL BE 2mm MARINE GRADE ALUMINIUM POWDER COATED OR 15mm STAINLESS STEEL (GRADE 316)
- 7 DOORS TO BE INDIVIDUALLY LOCKABLE AND SECURED IN THE CLOSED POSITION BY WAY OF A MULTIPOINT SECURING SYSTEM ACTIVATED VIA A SINGLE KEYED LOCK
- 8 THE LOCK TO BE A STANDARD VICROADS BI-LOCK TYPE WITH INTERCHANGEABLE CYLINDER THE KEYING TO BE SET TO MATCH A STANDARD VICROADS CABINET KEY CODE

E			
D			
C			
B			
A	W H	12/2018	REVISION OF DETAIL
ISSUE	APP'D	DATE	AMENDMENT

GENERAL NOTES	

DESIGNED	M80 UPGRADE	07/2015
APPROVED	W HARVEY - MANAGER	
	ITS INFRASTRUCTURE & SYSTEM 08/2015	
CAT. PROJ. FILE	SCALE OF METRES NTS	

<b>STANDARD DRAWING</b> MANAGED MOTORWAY				
<b>STRUCTURE MOUNTED LUMS ARRANGEMENTS</b> JUNCTION BOX ELECTRICAL AND COMMUNICATIONS CABLE CONNECTION DETAIL				
FILE NO	CONTRACT NO	SHEET NO	DRAWING NO	ISSUE
			TC-2319	A