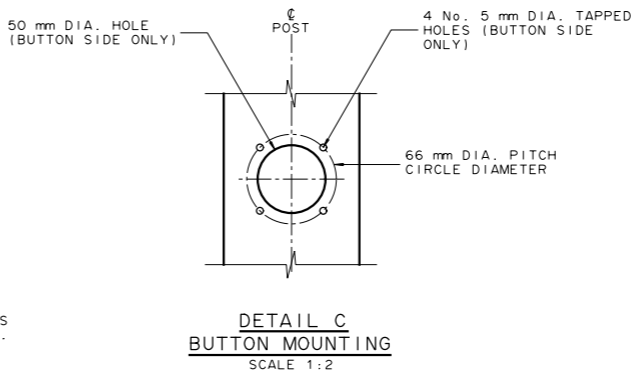
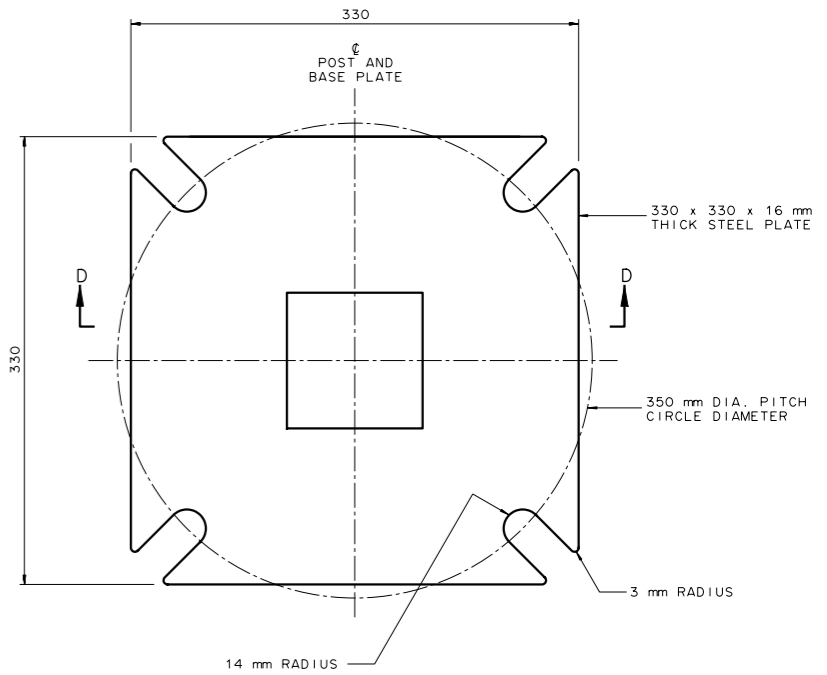


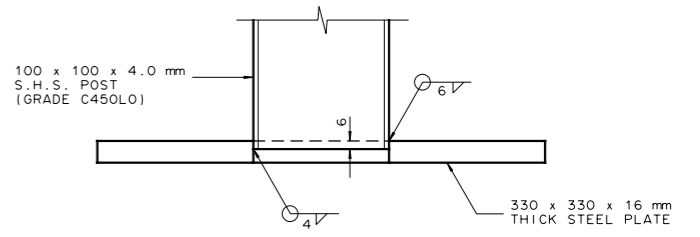
DETAIL B
SIGN MOUNTING
SCALE 1:5



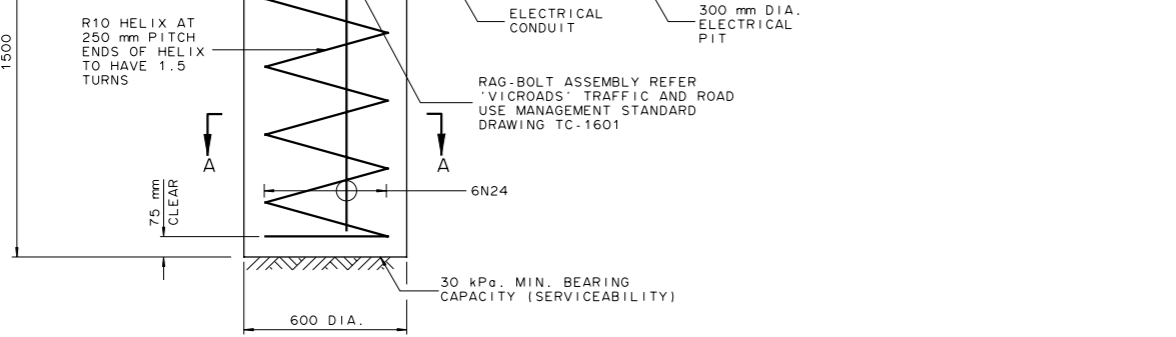
DETAIL C
BUTTON MOUNTING
SCALE 1:2



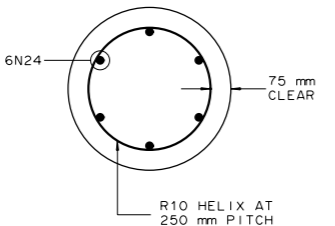
PLAN
BASE PLATE
SCALE 1:2



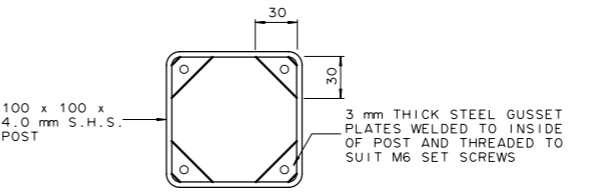
SECTION D-D
SCALE 1:2



ELEVATION
SCALE 1:10



SECTION A-A
SCALE 1:10



PLAN-REMOVABLE CAP
SCALE 1:2

NOTES

- CONCRETE**
1. CONCRETE STRENGTH SHALL BE 32 MPa.
 2. EXPOSURE CLASSIFICATIONS FOR SURFACES OF CONCRETE SHALL BE: - IN CONTACT WITH THE GROUND...B1
 3. ALL CORNERS SHALL HAVE 20 x 20 mm FILLETS OR CHAMFERS UNLESS NOTED OTHERWISE.
- REINFORCEMENT**
4. COVER :- 75 mm UNLESS NOTED OTHERWISE.
 5. GRADE :- N (GRADE D500N) HOT ROLLED DEFORMED BARS TO AS/NZS. 4671. :- R (GRADE R250N) HOT ROLLED ROUND BARS TO AS/NZS. 4671.
 6. SPACING:- TAKEN AS EQUAL UNLESS NOTED OTHERWISE.
 7. WELDING:- SHALL NOT BE PERMITTED UNLESS NOTED OTHERWISE.
- STEELWORK (SUPPLIED BY VICROADS)**
8. STEEL PLATES SHALL BE GRADE 250 AND COMPLY WITH AS. 3678.
 9. SQUARE HOLLOW SECTIONS SHALL BE GRADE C450L0 TO AS. 1163.
 10. BOLTS, NUTS AND WASHERS SHALL BE GRADE 4.6 TO AS. 1111, AS. 1112 AND AS. 1237. BOLTS SHALL BE SNUG TIGHTENED.
 11. WELDING SHALL BE CATEGORY SP WITH E48XX ELECTRODES TO COMPLY WITH AS/NZS. 1554.1:2004
 12. ALL STEELWORK SHALL BE HOT DIP GALVANIZED TO AS/NZS. 4680 AFTER FABRICATION.
 13. A CLEAR ANTI-GRAFFITI COATING (GUARDIAN S19 SYSTEM OR APPROVED EQUIVALENT) SHALL BE APPLIED TO POSTS AFTER GALVANIZING.
- GENERAL**
14. FOR DETAILS OF RAG-BOLT ASSEMBLY REFER 'VICROADS' TRAFFIC AND ROAD USE MANAGEMENT STANDARD DRAWING TC-1601.
 15. THE CONTRACTOR SHALL PROVIDE 1 No. 3 mm DIA. DRAW WIRE (GALV) IN DUCT AND POST.

smartbusA.dgn
30/12/2010 8:55:05 AM
ravizzg

ALL DIMENSIONS ARE IN MILLIMETRES			
E			
D			
C			
B			
A	CAB	12/10	EARTH STAKE PIT AMENDED
ISSUE	APP'D	DATE	AMENDMENT

GENERAL NOTES

1. SCALES SHOWN ARE AS DRAWN ON AO ORIGINAL
2. DIMENSIONS SHALL NOT BE SCALED FROM THE DRAWING

VERIFIED 24/09/09

VICROADS - TECHNICAL CONSULTING
3 PROSPECT HILL ROAD, CAMBERWELL, VICTORIA, 3124
PHONE (03) 9811 8355
FAX (03) 9811 8329

DESIGNED
P. KOZARIS
M. CLAYTON
APPROVED
P. Kozaris
24/09/09
CATALOG: Bridge_std
FILENAME: smartbusA.dgn



SMARTBUS SIGNS				
POST AND FOOTING DETAILS - OPTION 1				
FILE NO.	PROJECT NO.	SHEET NO.	DRAWING NO.	ISSUE
		1 OF 2	573397	A